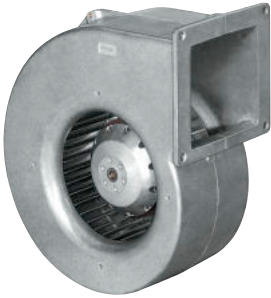


G2E140-AI28-01

# AC centrifugal fan

forward curved, single inlet

with housing (flange)



**ebm-papst Mulfingen GmbH & Co. KG**

Bachmühle 2

D-74673 Mulfingen

Phone: +49(0)7938/81-0

Fax: +49(0)7938/81-110

sales@fansco.com

www.fansco.com

## Nominal data

Type	G2E140-AI28-01			
Motor	M2E068-DF			
Phase		1~	1~	1~
Nominal voltage	[V]	230	230	230
Frequency	[Hz]	50	60	60
Type of data definition		rfa	rfa	rfa
Valid for approval / standard		CE	CE	UL 2111
Speed	[min <sup>-1</sup> ]	2400	2350	2350
Power input	[W]	160	205	220
Current draw	[A]	0.7	0.9	0.96
Motor capacitor	[μF]	4	4	4
Capacitor voltage	[VDB]	400	400	400
Min. back pressure	[Pa]	0	0	0
Max. ambient temperature	[°C]	70	45	45

ml = max. load · me = max. efficiency · rfa = running at free air · cs = customer specs · cu = customer unit  
Subject to alterations

# AC centrifugal fan

forward curved, single inlet

with housing (flange)

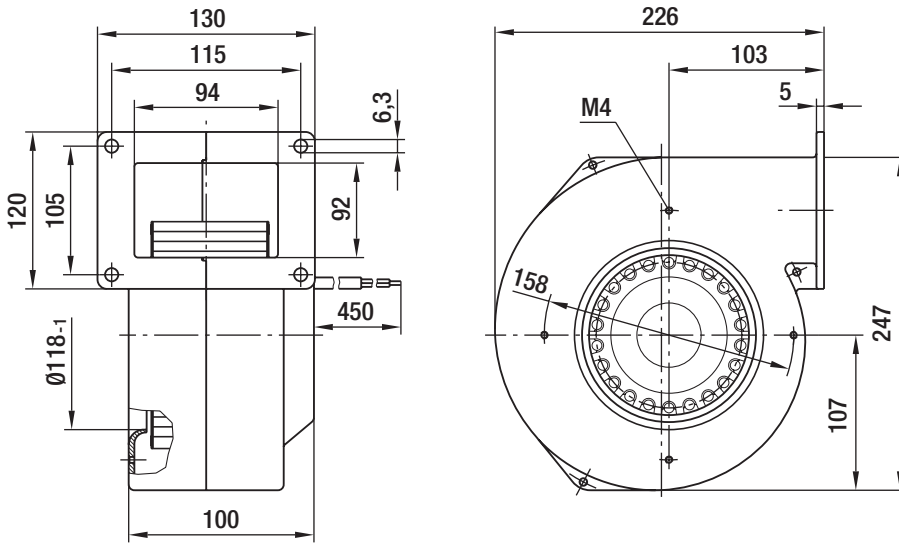
## Technical features

Leakage current	< 0.75 mA
Size	140 mm
Operation mode	S1
Direction of rotation	Clockwise, seen on rotor
Mounting position	Any
Humidity class	F0
Insulation class	"B"
Condensate discharge holes	None
Bearing motor	Ball bearing
Mass	3.52 kg
Housing material	Die-cast aluminium
Material of impeller	Sheet steel, hot-galvanised
Motor protection	Thermal overload protector (TOP) wired internally
Product conforming to standard	CE; EN 60335-1
Type of protection	IP 44
Protection class	I
Max. permissible ambient motor temp. (transp./ storage)	+ 80 °C
Min. permissible ambient motor temp. (transp./storage)	- 40 °C
Approval	CCC; GOST

# AC centrifugal fan

forward curved, single inlet  
with housing (flange)

## Product drawing



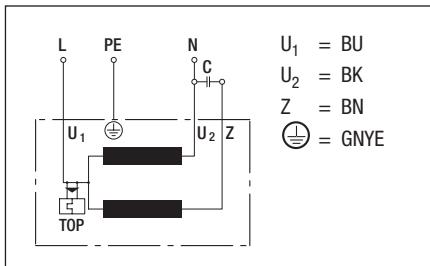
G2E140-AI28-01

# AC centrifugal fan

forward curved, single inlet

with housing (flange)

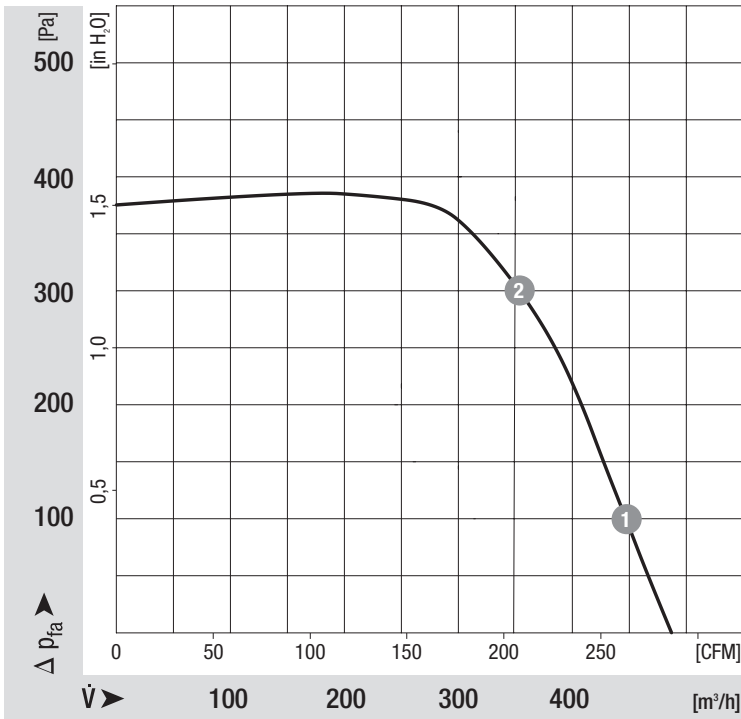
## Connection screen



# AC centrifugal fan

forward curved, single inlet  
with housing (flange)

## Charts: Air flow 50 Hz



## Measured values

	n	P <sub>1</sub>	I
	[min <sup>-1</sup> ]	[W]	[A]
1	2485	148	0.65
2	2630	128	0.57

# AC centrifugal fan

forward curved, single inlet  
with housing (flange)

## Charts: Air flow 60 Hz

