

AC centrifugal fan

forward-curved, single-intake

with housing (flange)

G2E140-AH01-10 ebmpapst Datasheet

sales@fansco.com

www.fansco.com

Nominal data

Type	G2E140-AH01-10	
Motor	M2E068-CF	
Phase		1~
Nominal voltage	VAC	230
Frequency	Hz	50
Method of obtaining data		ml
Valid for approval/standard		CE
Speed (rpm)	min ⁻¹	1350
Power consumption	W	125
Current draw	A	0.56
Capacitor	µF	2
Capacitor voltage	VDB	400
Capacitor standard		S2 (CE)
Min. back pressure	Pa	50
Min. back pressure	in. wg	0.2
Min. ambient temperature	°C	-25
Max. ambient temperature	°C	40
Starting current	A	0.7

ml = Max. load · me = Max. efficiency · fa = Free air · cs = Customer specification · ce = Customer equipment
Subject to change



AC centrifugal fan

forward-curved, single-intake
with housing (flange)

Technical description

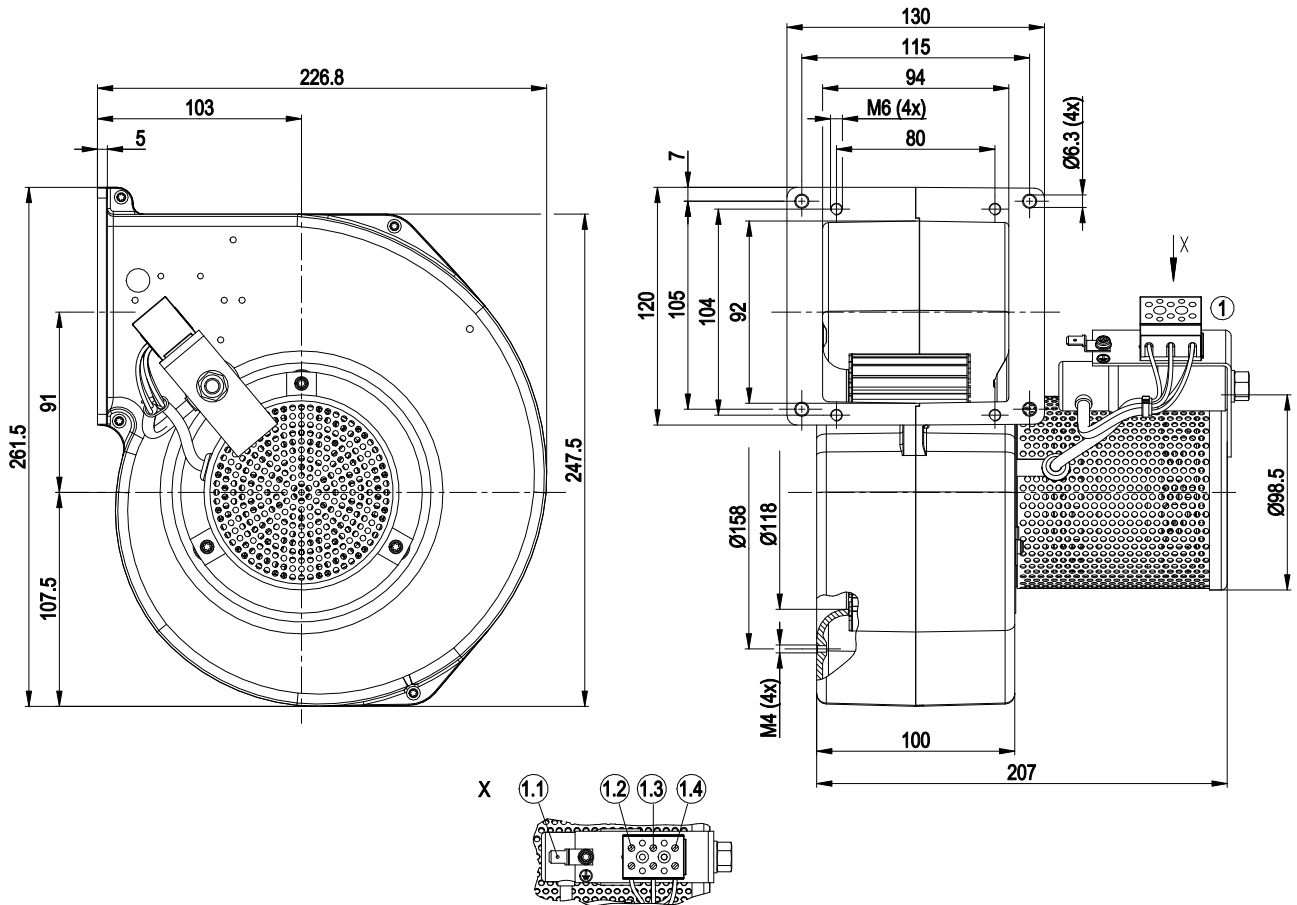
Weight	3.31 kg
Size	140 mm
Motor size	68
Rotor surface	Unpainted
Cover material	Sheet steel, thick-film passivated
Impeller material	Sheet aluminum
Housing material	Die-cast aluminum
Direction of rotation	Counterclockwise, viewed toward rotor
Degree of protection	IP20
Insulation class	"F"
Moisture (F) / Environmental (H) protection class	H0 - dry environment
Max. permitted ambient temp. for motor (transport/storage)	+ 80 °C
Min. permitted ambient temp. for motor (transport/storage)	- 40 °C
Installation position	Any
Condensation drainage holes	None, open rotor
Mode	S1
Motor bearing	Ball bearing
Touch current according to IEC 60990 (measuring circuit Fig. 4, TN system)	< 0.75 mA
Protection class	I (if protective earth is connected by customer to the housing's connection point)
Motor capacitor according to EN 60252-1 in safety protection class	S2
Conformity with standards	EN 60335-1, motor does not have factory-installed overheating protection; CE



AC centrifugal fan

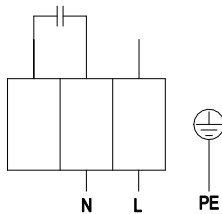
forward-curved, single-intake
with housing (flange)

Product drawing



1	Cable halogen-silicone-free 3x 0.5 mm ² , terminal strip Phoenix G5/3 2716033
1.1	Flat plug 6.3 x 0.8 (PE)
1.2	L (blue)
1.3	N (black + capacitor)
1.4	brown + capacitor

Connection diagram



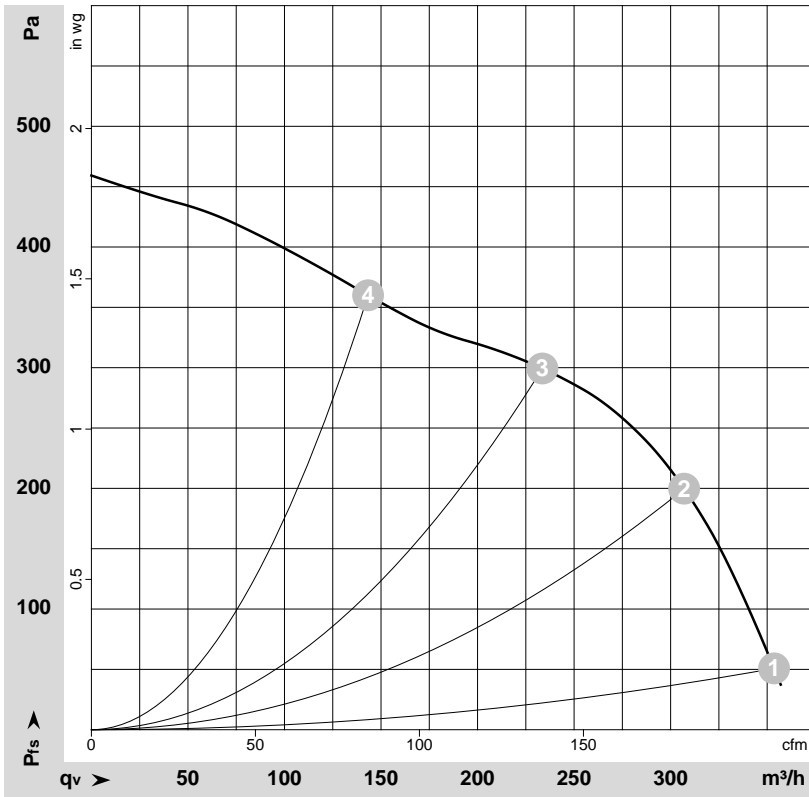
L	blue	N	black
---	------	---	-------



AC centrifugal fan

forward-curved, single-intake
with housing (flange)

Curves: Air performance 50 Hz



$\rho = 1.15 \text{ kg/m}^3 \pm 2 \%$

Measurement: LU-174253-1

Air performance measured according to ISO 5801 installation category A. For detailed information on the measurement setup, contact ebmpapst. Intake sound level: Sound power level according to ISO 13347 / sound pressure level measured at 1 m distance from fan axis. The values given are valid under the specified measuring conditions and may vary due to conditions of installation. For deviations from the standard configuration, the parameters have to be checked on the installed unit.

Measured values

	U	f	n	P _e	I	q _v	p _{fs}	q _v	p _{fs}
	V	Hz	min ⁻¹	W	A	m ³ /h	Pa	cfm	in. wg
1	230	50	1350	125	0.56	355	50	210	0.20
2	230	50	1870	103	0.45	305	200	180	0.80
3	230	50	2235	88	0.38	235	300	140	1.20
4	230	50	2495	73	0.32	145	360	85	1.45

U = Voltage · f = Frequency · n = Speed (rpm) · P_e = Power consumption · I = Current draw · q_v = Air flow · p_{fs} = Pressure increase

