

AC centrifugal fan

forward curved, single inlet

with housing (flange)

G2E120-SA58-14 ebmpapst Datasheet

sales@fansco.com

www.fansco.com

Limited partnership · Headquarters Muldingen
County court Stuttgart · HRA 590344

General partner Elektrobau Muldingen GmbH · Headquarters Muldingen
County court Stuttgart · HRB 590142

Nominal data

Type	G2E120-SA58-14	
Motor	M2E052-CA	
Phase		1~
Nominal voltage	VAC	230
Frequency	Hz	50
Type of data definition		cs
Valid for approval / standard		CE
Speed (rpm)	min ⁻¹	2050
Power input	W	46
Current draw	A	0.21
Motor capacitor	µF	1.5
Capacitor voltage	VDB	400
Capacitor standard		S0 (CE)
Min. back pressure	Pa	50
Min. ambient temperature	°C	-25
Max. ambient temperature	°C	85
Starting current	A	0.26

ml = Max. load · me = Max. efficiency · fa = Running at free air · cs = Customer specs · cu = Customer unit
Subject to alterations



AC centrifugal fan

forward curved, single inlet
with housing (flange)

Technical features

Mass	1.8 kg
Size	120 mm
Surface of rotor	Uncoated
Material of impeller	Sheet steel, galvanised
Housing material	Die-cast aluminium
Direction of rotation	Clockwise, seen on rotor
Type of protection	IP 00
Insulation class	"F"
Max. permissible ambient motor temp. (transp./ storage)	+ 80 °C
Min. permissible ambient motor temp. (transp./storage)	- 40 °C
Mounting position	Any
Condensate discharge holes	None, open rotor
Operation mode	S1
Motor bearing	Ball bearing
Touch current acc. IEC 60990 (measuring network Fig. 4, TN system)	< 0.75 mA
Electrical leads	Via terminal box, integrated capacitor connected via terminal box
Motor protection	Thermal overload protector (TOP) wired internally
Cable exit	Variable
Protection class	I (if protective earth is connected by customer)
Motor capacitor according to EN 60252-1 in safety protection class	S0
Product conforming to standard	EN 60335-1; CE

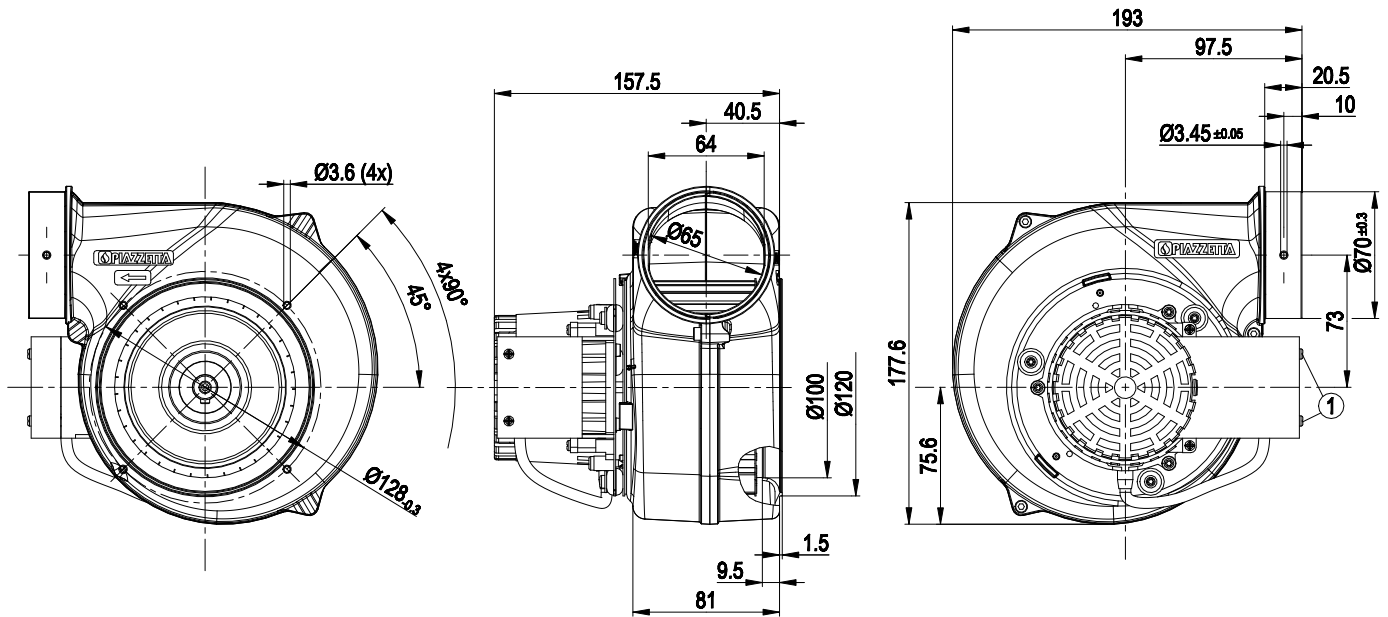


G2E120-SA58-14

AC centrifugal fan

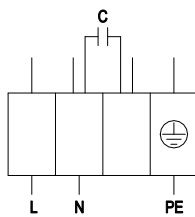
forward curved, single inlet
with housing (flange)

Product drawing



1 Tightening torque 1.7 ± 0.25 Nm $n < 700$ rpm

Connection screen



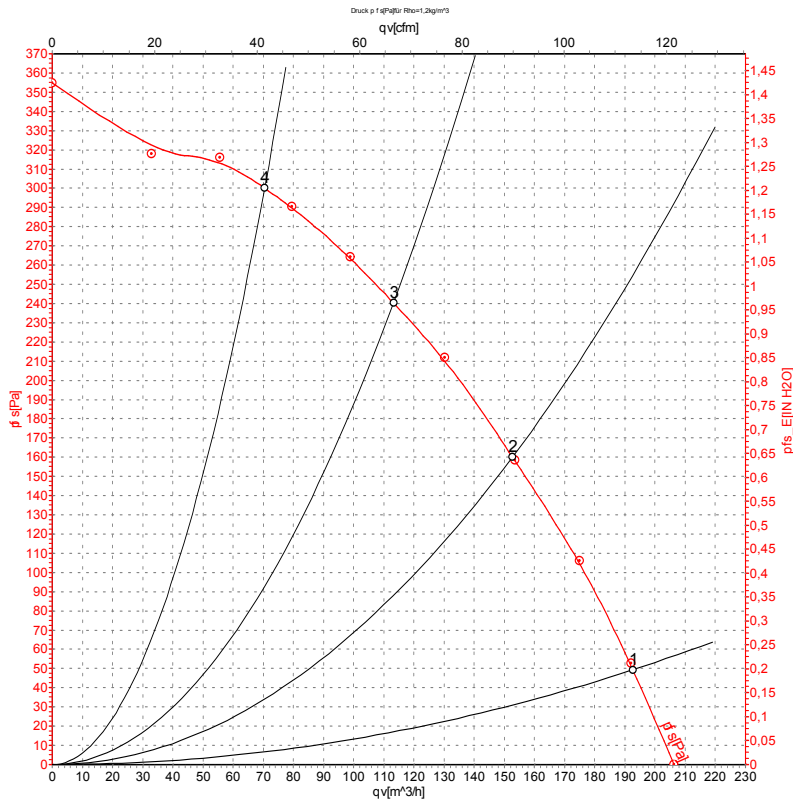
PE	green / yellow	L	blue	N	black
----	----------------	---	------	---	-------



AC centrifugal fan

forward curved, single inlet
with housing (flange)

Charts: Air flow 50 Hz



Measurement: LU-53469-1

Air performance measured as per ISO 5801 Installation category A. For detailed information on the measuring set-up, please contact ebm-papst. Suction-side noise levels: L_{WA} measured as per ISO 13347 / L_{pA} measured with 1m distance to fan axis. The values given are valid under the measuring conditions mentioned above and may vary according to the actual installation situation. With any deviation from the standard set-up, the specific values have to be checked and reviewed with the unit installed.

Measured values

	U	f	n	P _e	I	q _v	p _{fs}	q _v	p _{fs}
	V	Hz	min ⁻¹	W	A	m ³ /h	Pa	cfm	inH2O
1	230	50	2050	46	0.21	190	50	110	0.20
2	230	50	2265	42	0.18	155	160	90	0.64
3	230	50	2450	38	0.17	115	240	65	0.96
4	230	50	2575	36	0.16	70	300	40	1.20

U = Supply voltage · f = Frequency · n = Speed (rpm) · P_e = Power input · I = Current draw · q_v = Air flow · p_{fs} = Pressure increase

