

G2E120-AR77-90

# AC centrifugal fan

forward-curved, single-intake  
with housing (flange)

G2E120-AR77-90 ebmpapst Datasheet

sales@fansco.com

www.fansco.com

## Nominal data

Type	G2E120-AR77-90		
Motor	M2E068-BF		
Phase		1~	1~
Nominal voltage	VAC	230	230
Frequency	Hz	50	60
Method of obtaining data		fa	fa
Valid for approval/standard		CE	CE
Speed (rpm)	min <sup>-1</sup>	2350	2450
Power consumption	W	80	100
Current draw	A	0.35	0.44
Capacitor	µF	2	2
Capacitor voltage	VDB	450	450
Capacitor standard		S0 (CE)	S0 (CE)
Min. back pressure	Pa	0	0
Min. back pressure	inH2O	0	0
Min. ambient temperature	°C	-25	-25
Max. ambient temperature	°C	45	55
Starting current	A	0.47	0.47

ml = Max. load · me = Max. efficiency · fa = Free air · cs = Customer specification · ce = Customer equipment  
Subject to change



# AC centrifugal fan

forward-curved, single-intake  
with housing (flange)

## Technical description

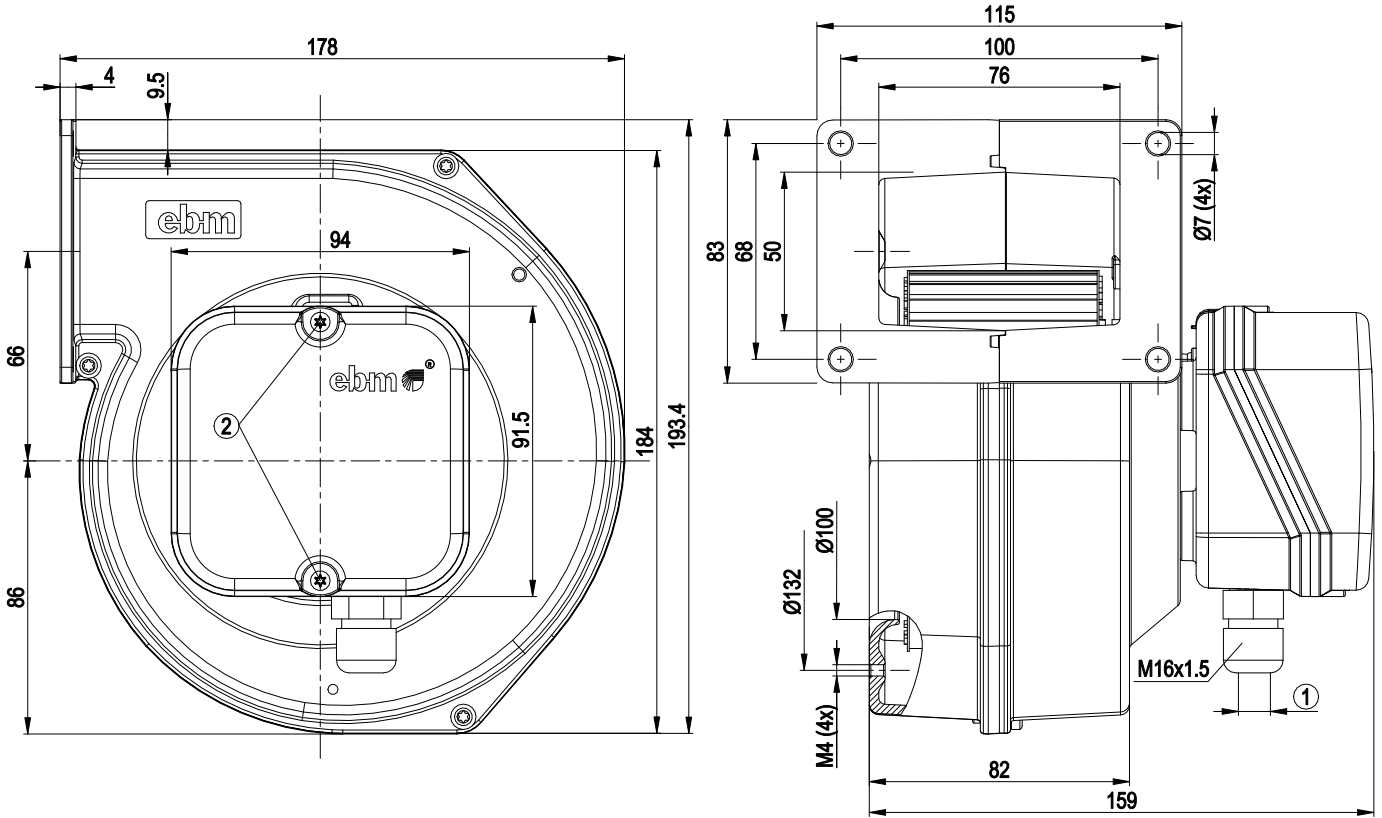
Weight	2.2 kg
Fan size	120 mm
Rotor surface	Painted black
Terminal box material	PC/ABS plastic
Impeller material	Sheet steel, painted black
Housing material	Die-cast aluminum, painted black
Direction of rotation	Clockwise, viewed toward rotor
Degree of protection	IP44; installation- and position-dependent
Insulation class	"B"
Moisture (F) / Environmental (H) protection class	H0 - dry environment
Max. permitted ambient temp. for motor (transport/storage)	+ 80 °C
Min. permitted ambient temp. for motor (transport/storage)	- 40 °C
Installation position	Any
Condensation drainage holes	None
Mode	S1
Motor bearing	Ball bearing
Touch current according to IEC 60990 (measuring circuit Fig. 4, TN system)	< 0.75 mA
Electrical hookup	Via terminal box, capacitor integrated and connected
Motor protection	Thermal overload protector (TOP) internally connected
Protection class	I (with customer connection of protective earth)
Motor capacitor according to EN 60252-1 in safety protection class	S0
Conformity with standards	EN 60335-1; CE
Approval	CCC



# AC centrifugal fan

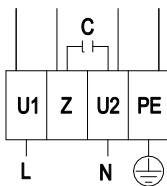
forward-curved, single-intake  
with housing (flange)

## Product drawing



- 1 Cable diameter: max. 7.5 mm; tightening torque 1.3±0.2 Nm
- 2 Tightening torque 0.5 ± 0.1 Nm

## Connection diagram



L	= U1 = blue	Z	brown	N	= U2 = black
PE	green/yellow				

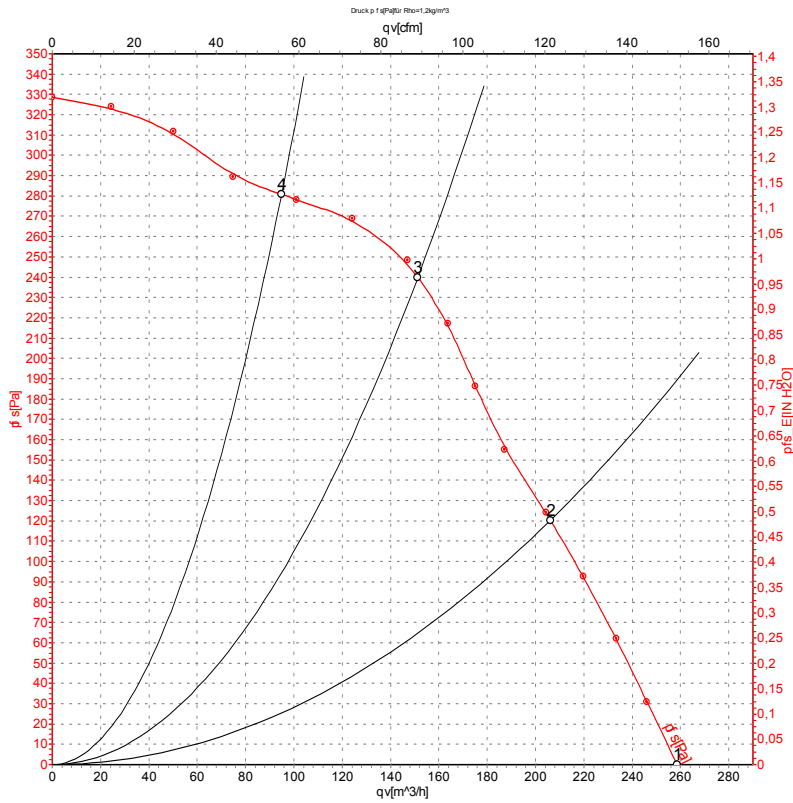


# AC centrifugal fan

forward-curved, single-intake

with housing (flange)

## Curves: Air performance 50 Hz



Measurement: LU-104578-1

Air performance measured according to ISO 5801 installation category A. For detailed information on the measurement setup, contact ebm-papst. Intake sound level: Sound power level according to ISO 13347 / sound pressure level measured at 1 m distance from fan axis. The values given are valid under the specified measuring conditions and may vary due to conditions of installation. For deviations from the standard configuration, the parameters have to be checked on the installed unit.

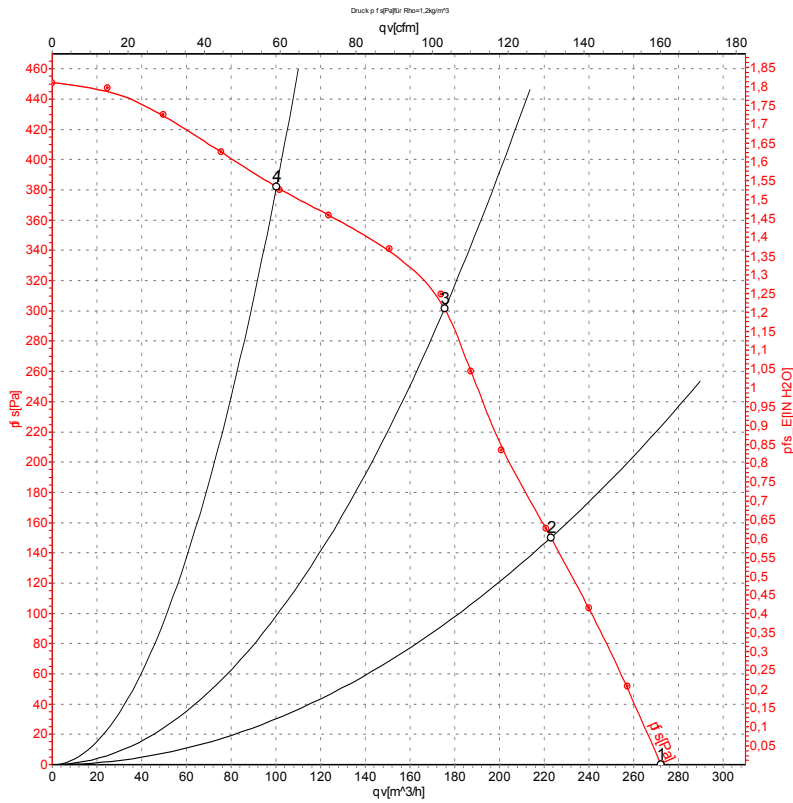
## Measured values

	U	f	n	P <sub>e</sub>	I	q <sub>v</sub>	p <sub>fs</sub>	q <sub>v</sub>	p <sub>fs</sub>
	V	Hz	min <sup>-1</sup>	W	A	m <sup>3</sup> /h	Pa	cfm	inH <sub>2</sub> O
1	230	50	2350	80	0.35	260	0	150	0.00
2	230	50	2510	73	0.33	205	120	120	0.48
3	230	50	2640	69	0.32	150	240	90	0.96
4	230	50	2740	66	0.31	95	280	55	1.12

U = Power supply · f = Frequency · n = Speed (rpm) · P<sub>e</sub> = Power consumption · I = Current draw · q<sub>v</sub> = Air flow · p<sub>fs</sub> = Pressure increase



## Curves: Air performance 60 Hz



Measurement: LU-104581-1

Air performance measured according to ISO 5801 installation category A. For detailed information on the measurement setup, contact ebm-papst. Intake sound level: Sound power level according to ISO 13347 / sound pressure level measured at 1 m distance from fan axis. The values given are valid under the specified measuring conditions and may vary due to conditions of installation. For deviations from the standard configuration, the parameters have to be checked on the installed unit.

## Measured values

	U	f	n	P <sub>e</sub>	I	q <sub>v</sub>	p <sub>fs</sub>	q <sub>v</sub>	p <sub>fs</sub>
	V	Hz	min <sup>-1</sup>	W	A	m <sup>3</sup> /h	Pa	cfm	inH <sub>2</sub> O
1	230	60	2450	100	0.44	270	0	160	0.00
2	230	60	2770	92	0.40	225	150	130	0.60
3	230	60	2950	86	0.37	175	300	105	1.20
4	230	60	3180	77	0.34	100	380	60	1.53

U = Power supply · f = Frequency · n = Speed (rpm) · P<sub>e</sub> = Power consumption · I = Current draw · q<sub>v</sub> = Air flow · p<sub>fs</sub> = Pressure increase

