

AC centrifugal fan

forward curved, single inlet

with housing (flange)

G2E108-AE01-38 ebmpapst Datasheet

sales@fansco.com

www.fansco.com

Limited partnership · Headquarters Muldingen
County court Stuttgart · HRA 590344

General partner Elektrobau Muldingen GmbH · Headquarters Muldingen
County court Stuttgart · HRB 590142

Nominal data

Type	G2E108-AE01-38	
Motor	M2E042-CA	
Phase		1~
Nominal voltage	VAC	230
Frequency	Hz	50
Type of data definition		fa
Valid for approval / standard		CE
Speed	min ⁻¹	1600
Power input	W	34
Current draw	A	0.16
Motor capacitor	µF	1.5
Capacitor voltage	VDB	400
Capacitor standard		P2 (CE)
Min. back pressure	Pa	0
Min. ambient temperature	°C	-25
Max. ambient temperature	°C	65

ml = Max. load · me = Max. efficiency · fa = Running at free air · cs = Customer specs · cu = Customer unit
Subject to alterations



G2E108-AE01-38

AC centrifugal fan

forward curved, single inlet

with housing (flange)

Technical features

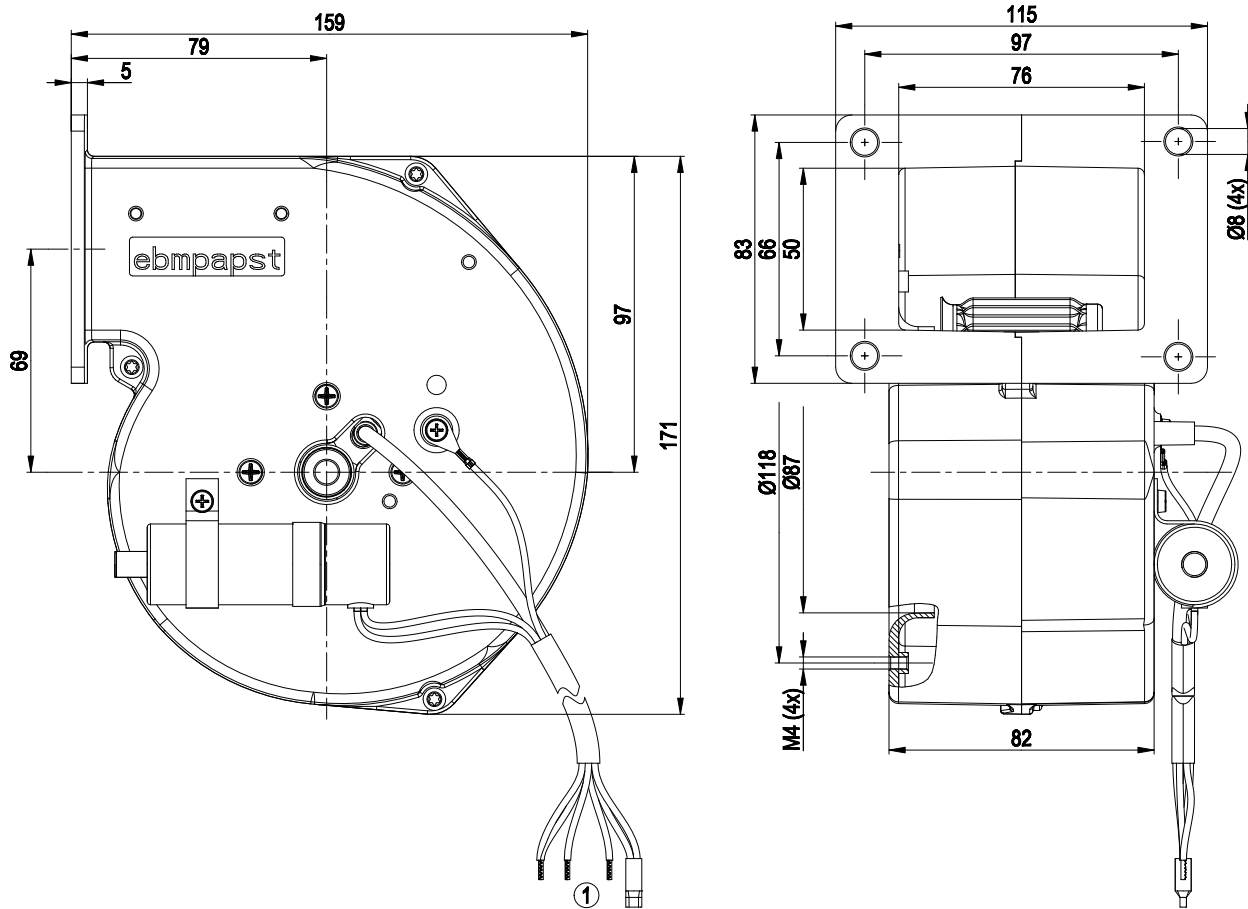
Mass	1.2 kg
Size	108 mm
Material of impeller	Sheet steel, galvanised
Housing material	Die-cast aluminium
Direction of rotation	Clockwise, seen on rotor
Type of protection	IP 44; Depending on installation and position
Insulation class	"B"
Max. permissible ambient motor temp. (transp./ storage)	+ 80 °C
Min. permissible ambient motor temp. (transp./storage)	- 40 °C
Mounting position	Any
Operation mode	S1
Motor bearing	Ball bearing
Touch current acc. IEC 60990 (measuring network Fig. 4, TN system)	< 0.75 mA
Protection class	Built-in component designed with basic insulation, protection class classification is available after installation according to intended use
Product conforming to standard	EN 60335-1; CE



AC centrifugal fan

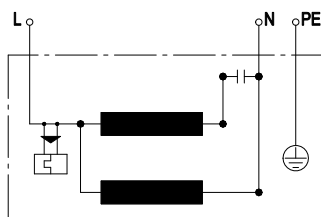
forward curved, single inlet
with housing (flange)

Product drawing



- | | |
|---|--|
| 1 | Connection line PVC 2X AWG20, 3x brass lead tips crimped |
| | Connection line AWG18 (gn/ye), 1x brass lead tip crimped |

Connection screen



L	blue	N	black	PE	green/yellow
---	------	---	-------	----	--------------

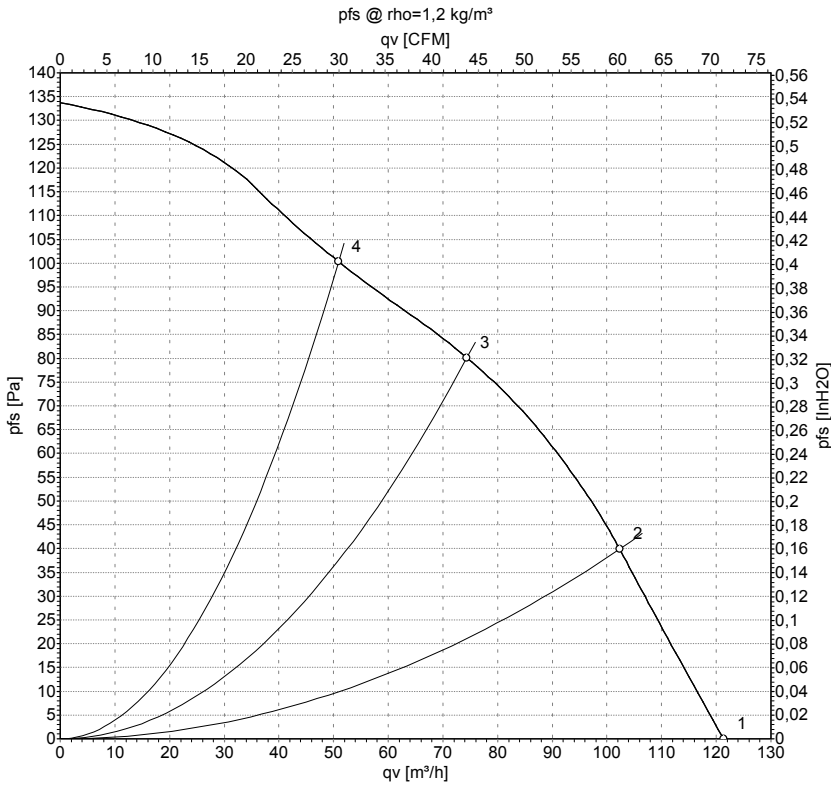


AC centrifugal fan

forward curved, single inlet

with housing (flange)

Charts: Air flow 50 Hz



Measurement: LU-15470

Air performance measured as per ISO 5801 Installation category A. For detailed information on the measuring set-up, please contact ebm-papst. Suction-side noise levels: LwA measured as per ISO 13347 / LpA measured with 1m distance to fan axis. The values given are valid under the measuring conditions mentioned above and may vary according to the actual installation situation. With any deviation from the standard set-up, the specific values have to be checked and reviewed with the unit installed.

Measured values

	U	f	n	P _e	I	qv	P _{fs}
	V	Hz	min ⁻¹	W	A	m³/h	Pa
1	230	50	1600	34	0.16	120	0
2	230	50	1805	33	0.14	100	40
3	230	50	2010	32	0.14	75	80
4	230	50	2160	32	0.14	50	100

U = Supply voltage · f = Frequency · n = Speed · P_e = Power input · I = Current draw · qv = Air flow · P_{fs} = Pressure increase

