

G2E097-HD29-16

AC centrifugal fan

forward curved, single inlet
with housing (without flange)



G2E097-HD29-16 ebmpapst Datasheet
sales@fansco.com
www.fansco.com

Limited partnership · Headquarters Muldingen
County court Stuttgart · HRA 590344

General partner Elektrobau Muldingen GmbH · Headquarters Muldingen
County court Stuttgart · HRB 590142

Nominal data

Type	G2E097-HD29-16	
Motor	M2E042-CA	
Phase		1~
Nominal voltage	VAC	127
Frequency	Hz	60
Type of data definition		fa
Valid for approval / standard		CE
Speed	min ⁻¹	2300
Power input	W	32
Current draw	A	0.30
Motor capacitor	µF	6
Capacitor voltage	VDB	250
Capacitor standard		P2 (CE)
Min. back pressure	Pa	0
Min. ambient temperature	°C	-25
Max. ambient temperature	°C	60
Starting current	A	0.37

ml = max. load · me = max. efficiency · fa = running at free air · cs = customer specs · cu = customer unit
Subject to alterations



G2E097-HD29-16

AC centrifugal fan

forward curved, single inlet
with housing (without flange)

Technical features

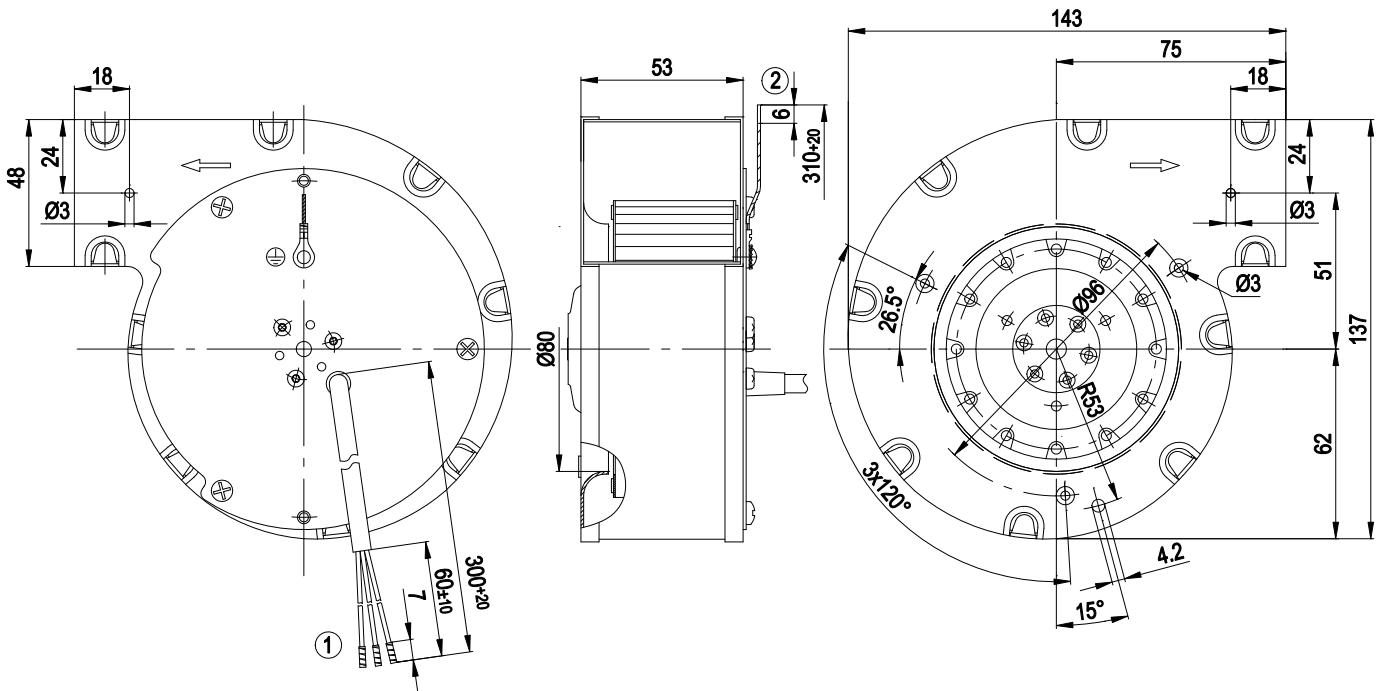
Mass	0.95 kg
Size	97 mm
Surface of rotor	Uncoated
Material of impeller	Sheet steel, hot-galvanised
Housing material	Sheet steel, hot-galvanised
Direction of rotation	Clockwise, seen on rotor
Type of protection	IP 44; Depending on installation and position
Insulation class	"B"
Max. permissible ambient motor temp. (transp./ storage)	+ 80 °C
Min. permissible ambient motor temp. (transp./storage)	- 40 °C
Mounting position	Any
Condensate discharge holes	None
Operation mode	S1
Motor bearing	Ball bearing
Touch current acc. IEC 60990 (measuring network Fig. 4, TN system)	< 0.75 mA
Motor protection	Thermal overload protector (TOP) wired internally
Protection class	I (if protective earth is connected by customer)
Product conforming to standard	EN 60335-1; CE



AC centrifugal fan

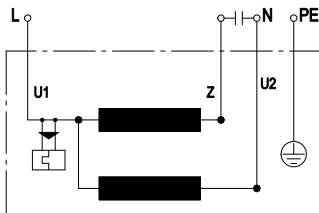
forward curved, single inlet
with housing (without flange)

Product drawing



- 1 Connection line PVC 3X 0.25 mm², 3 x brass lead tips crimped
- 2 Protective earth 0.5 mm², tin-plated lead tips

Connection screen



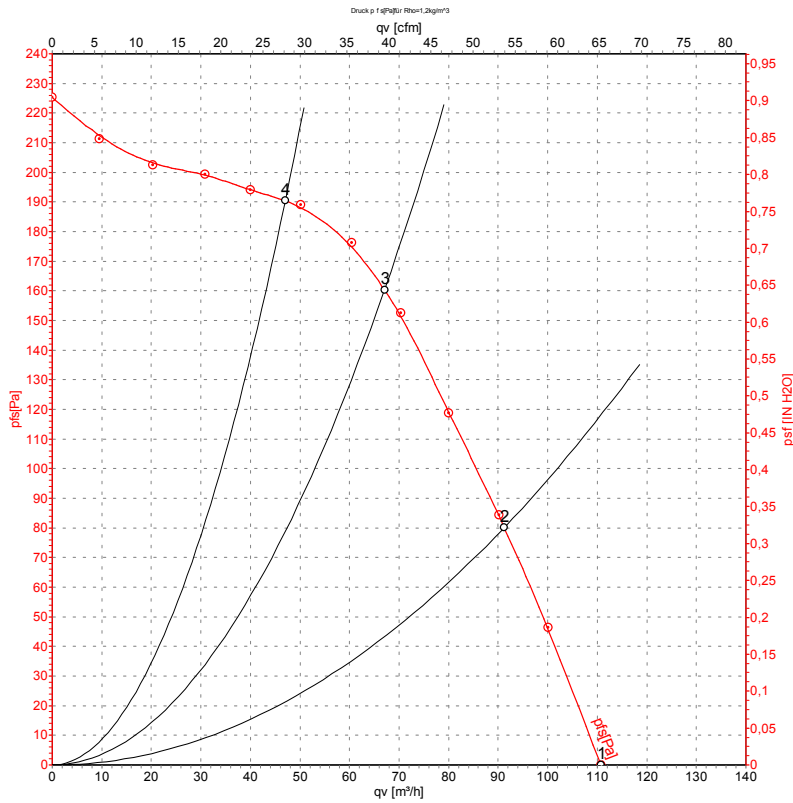
U1	blue	Z	brown	U2	black
PE	green/yellow				



AC centrifugal fan

forward curved, single inlet
with housing (without flange)

Charts: Air flow 60 Hz



Measurement: LU-132236

Air performance measured as per ISO 5801 Installation category A. For detailed information on the measuring set-up, please contact ebm-papst. Suction-side noise levels: LwA measured as per ISO 13347 / LpA measured with 1m distance to fan axis. The values given are valid under the measuring conditions mentioned above and may vary according to the actual installation situation. With any deviation from the standard set-up, the specific values have to be checked and reviewed with the unit installed.

Measured values

	U	f	n	P _e	I	qv	P _{fs}
	V	Hz	min ⁻¹	W	A	m ³ /h	Pa
1	127	60	2300	32	0.30	110	0
2	127	60	2510	31	0.29	90	80
3	127	60	2755	29	0.28	65	160
4	127	60	2910	28	0.27	45	190

U = Supply voltage · f = Frequency · n = Speed · P_e = Power input · I = Current draw · qv = Air flow · P_{fs} = Pressure increase

