

AC centrifugal fan

forward-curved, single-intake

with housing (flange)

G2D146-BF02-17 ebmpapst Datasheet

sales@fansco.com

www.fansco.com

Nominal data

Type	G2D146-BF02-17				
Motor	M2D068-EC				
Phase		3~	3~	3~	3~
Nominal voltage	VAC	230	230	400	400
Wiring		Δ	Δ	Y	Y
Frequency	Hz	50	60	50	60
Method of obtaining data		fa	ml	fa	ml
Valid for approval/standard		CE	CE	CE	CE
Speed (rpm)	min ⁻¹	2450	2700	2450	2700
Power consumption	W	260	300	260	300
Current draw	A	0.73	0.82	0.42	0.47
Min. back pressure	Pa	0		0	
Min. back pressure	inH ₂ O	0		0	
Min. ambient temperature	°C	-25	-25	-25	-25
Max. ambient temperature	°C	55	40	55	40
Starting current	A	1.73	1.73	1.0	1.0

ml = Max. load · me = Max. efficiency · fa = Free air · cs = Customer specification · ce = Customer equipment
Subject to change



AC centrifugal fan

forward-curved, single-intake
with housing (flange)

Technical description

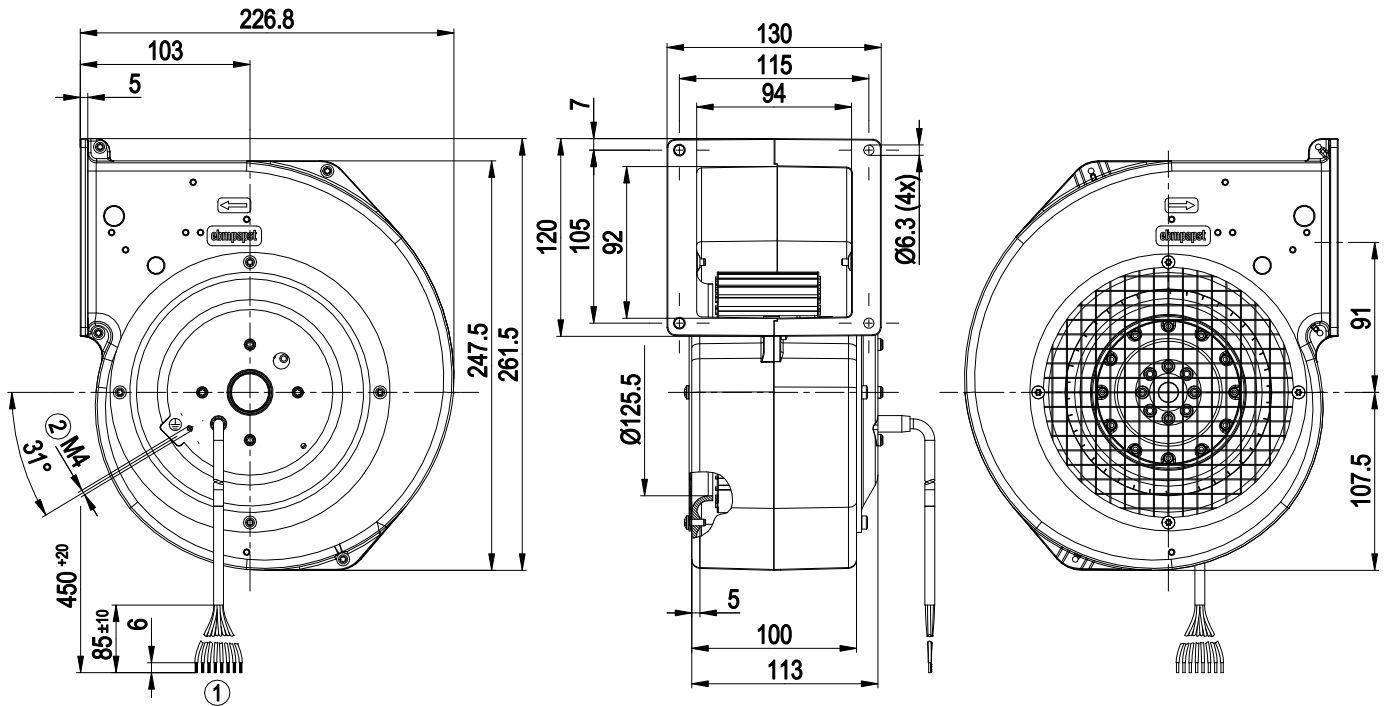
Weight	4.1 kg
Fan size	146 mm
Rotor surface	Unpainted
Impeller material	Sheet steel, galvanized
Housing material	Die-cast aluminum
Guard grille material	Hot-dip galvanized and spot-welded net
Direction of rotation	Clockwise, viewed toward rotor
Degree of protection	IP44; installation- and position-dependent
Insulation class	"B"
Moisture (F) / Environmental (H) protection class	F1-1
Max. permitted ambient temp. for motor (transport/storage)	+ 80 °C
Min. permitted ambient temp. for motor (transport/storage)	- 40 °C
Installation position	Any
Condensation drainage holes	None
Mode	S1
Motor bearing	Ball bearing
Touch current according to IEC 60990 (measuring circuit Fig. 4, TN system)	< 0.75 mA
Motor protection	Thermal overload protector (TOP) with basic insulation
With cable	Variable
Protection class	I (if protective earth is connected by customer to the housing's connection point)
Conformity with standards	EN 60335-1; CE
Approval	CSA C22.2 No. 100; UL 1004-1



AC centrifugal fan

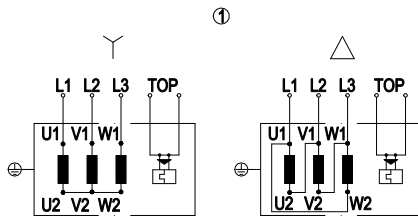
forward-curved, single-intake
with housing (flange)

Product drawing



- | | |
|---|---------------------------------|
| 1 | Cable AWG20, 8x crimped splices |
| 2 | Max. clearance for screw 8 mm |

Connection diagram



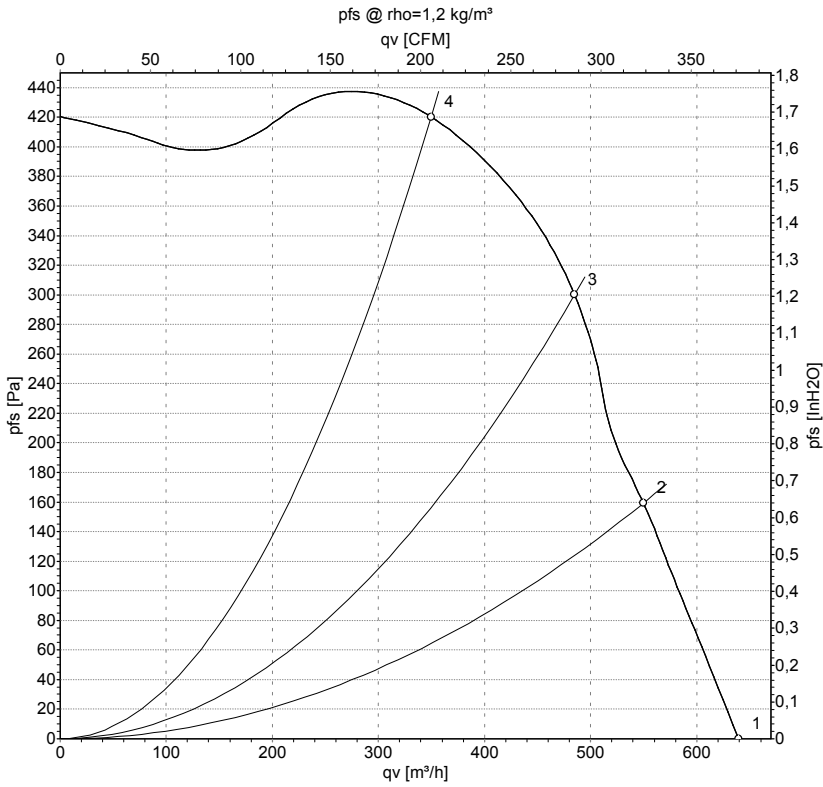
1	Three-phase motor
Y	Star connection
Δ	Delta connection
L1	= U1 = black 2
L2	= V1 = black 1
L3	= W1 = black 3
V2	= black 4
U2	= black 5
W2	= black 6
TOP	(thermal overload protector) 2x yellow

AC centrifugal fan

forward-curved, single-intake

with housing (flange)

Curves: Air performance 50 Hz



Measurement: LU-25552-1

Air performance measured according to ISO 5801 installation category A. For detailed information on the measurement setup, contact ebm-papst. Intake sound level: Sound power level according to ISO 13347 / sound pressure level measured at 1 m distance from fan axis. The values given are valid under the specified measuring conditions and may vary due to conditions of installation. For deviations from the standard configuration, the parameters have to be checked on the installed unit.

Measured values

	U	f	n	P _e	I	q _v	p _{fs}	q _v	p _{fs}
	V	Hz	min ⁻¹	W	A	m ³ /h	Pa	cfm	inH2O
1	400	50	2450	260	0.42	640	0	375	0.00
2	400	50	2620	196	0.32	550	160	325	0.64
3	400	50	2670	175	0.29	485	300	285	1.20
4	400	50	2785	125	0.24	350	420	205	1.69

U = Power supply · f = Frequency · n = Speed (rpm) · P_e = Power consumption · I = Current draw · q_v = Air flow · p_{fs} = Pressure increase

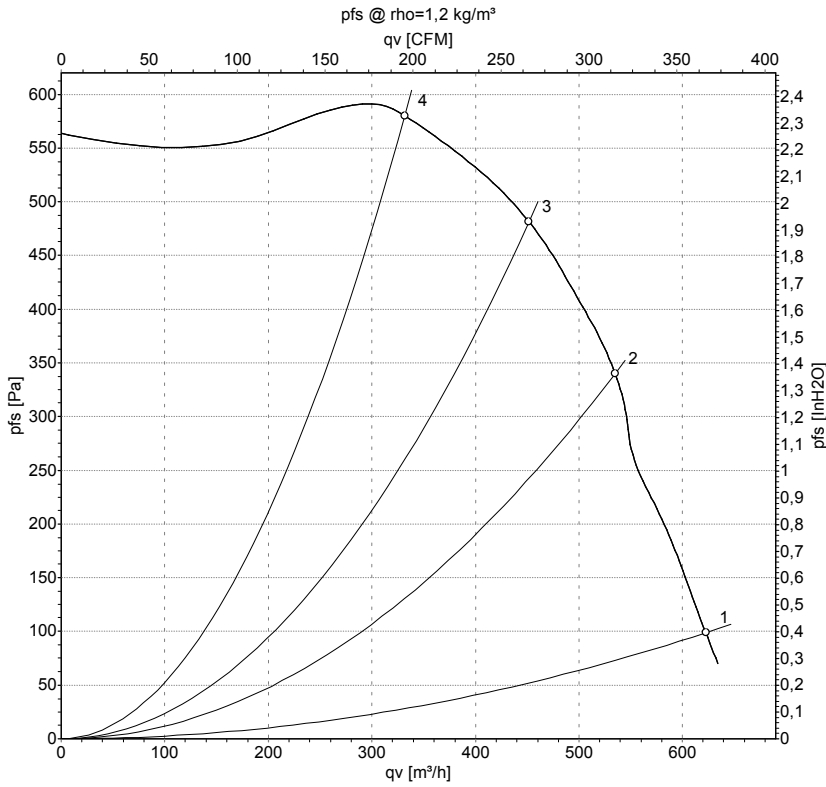


AC centrifugal fan

forward-curved, single-intake

with housing (flange)

Curves: Air performance 60 Hz



Measurement: LU-25559-1

Air performance measured according to ISO 5801 installation category A. For detailed information on the measurement setup, contact ebmpapst. Intake sound level: Sound power level according to ISO 13347 / sound pressure level measured at 1 m distance from fan axis. The values given are valid under the specified measuring conditions and may vary due to conditions of installation. For deviations from the standard configuration, the parameters have to be checked on the installed unit.

Measured values

	U	f	n	P _e	I	q _v	P _{fs}	q _v	P _{fs}
	V	Hz	min ⁻¹	W	A	m ³ /h	Pa	cfm	inH ₂ O
1	400	60	2700	300	0.47	620	100	365	0.40
2	400	60	2900	265	0.41	535	340	315	1.36
3	400	60	3050	221	0.34	450	480	265	1.93
4	400	60	3225	165	0.27	330	580	195	2.33

U = Power supply · f = Frequency · n = Speed (rpm) · P_e = Power consumption · I = Current draw · q_v = Air flow · P_{fs} = Pressure increase

