

G1G146-CC31-07

# EC centrifugal fan

forward curved, single inlet  
with housing (without flange)

G1G146-CC31-07 ebmpapst Datasheet  
sales@fansco.com  
www.fansco.com

Limited partnership · Headquarters Muldingen  
County court Stuttgart · HRA 590344

General partner Elektrobau Muldingen GmbH · Headquarters Muldingen  
County court Stuttgart · HRB 590142

## Nominal data

Type	G1G146-CC31-07	
Motor	M1G055-CF	
Phase		1~
Nominal voltage	VAC	230
Frequency	Hz	50/60
Type of data definition		ml
Speed	min <sup>-1</sup>	2130
Power input	W	69
Current draw	A	0.5
Min. ambient temperature	°C	-25
Max. ambient temperature	°C	60

ml = max. load · me = max. efficiency · fa = running at free air · cs = customer specs · cu = customer unit  
Subject to alterations



# EC centrifugal fan

forward curved, single inlet  
with housing (without flange)

## Technical features

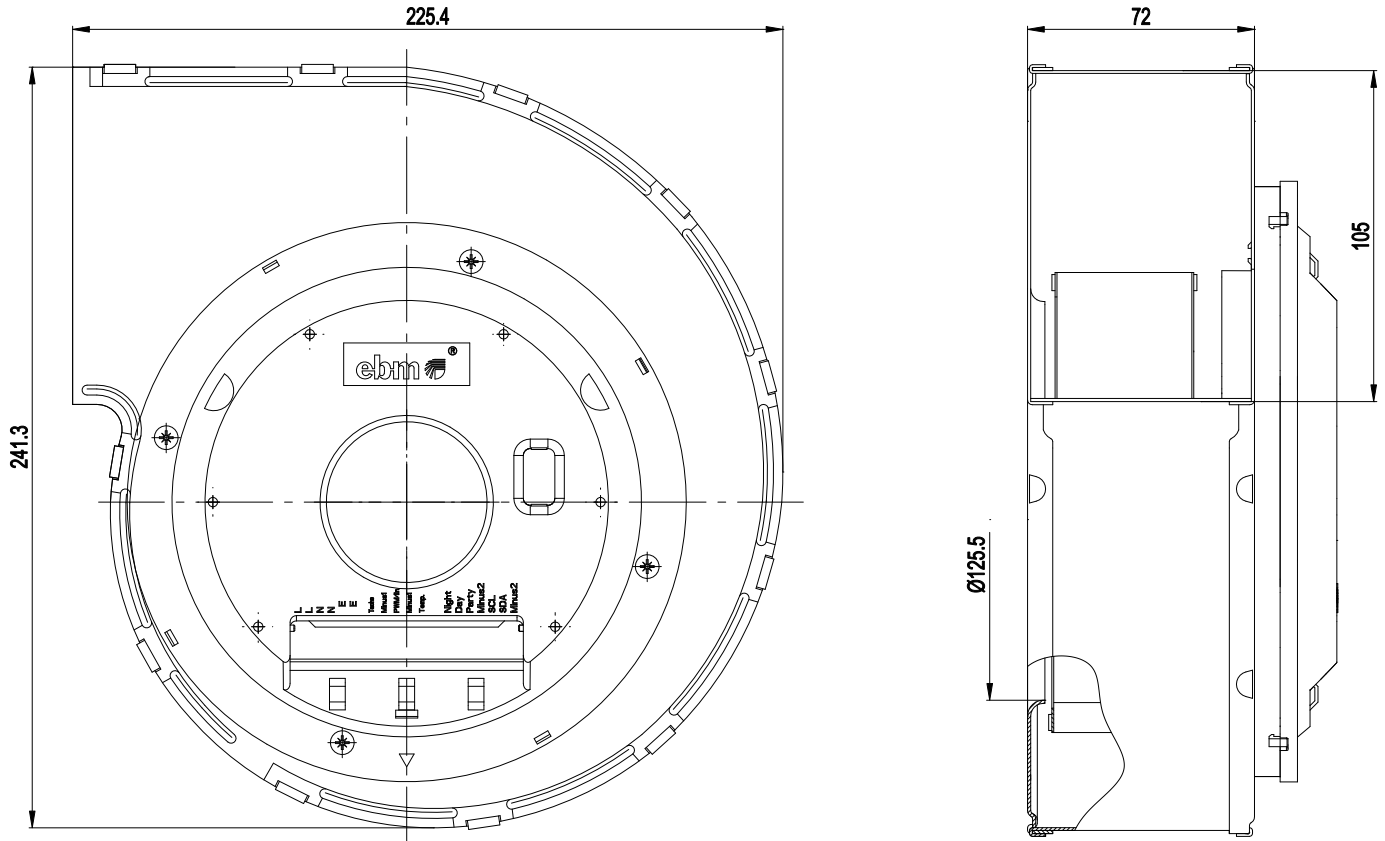
<b>Mass</b>	2.2 kg
<b>Size</b>	146 mm
<b>Surface of rotor</b>	Galvanised
<b>Material of impeller</b>	Sheet steel, galvanised
<b>Housing material</b>	Sheet steel, hot-dip galvanised
<b>Direction of rotation</b>	Clockwise, seen on rotor
<b>Type of protection</b>	IP 20
<b>Insulation class</b>	"B"
<b>Max. permissible ambient motor temp. (transp./ storage)</b>	+ 80 °C
<b>Min. permissible ambient motor temp. (transp./storage)</b>	- 40 °C
<b>Mounting position</b>	Any
<b>Condensate discharge holes</b>	None
<b>Operation mode</b>	S1
<b>Motor bearing</b>	Ball bearing
<b>EMC interference immunity</b>	Acc. to EN 61000-6-2
<b>EMC interference emission</b>	Acc. to EN 61000-6-3 (household environment)
<b>Touch current acc. IEC 60990 (measuring network Fig. 4, TN system)</b>	<= 3.5 mA
<b>Electrical leads</b>	Via terminal box
<b>Motor protection</b>	Locked-rotor protection
<b>Cable exit</b>	Axial
<b>Protection class</b>	I (if protective earth is connected by customer)
<b>Product conforming to standard</b>	EN 60335-1
<b>Approval</b>	VDE



# EC centrifugal fan

forward curved, single inlet  
with housing (without flange)

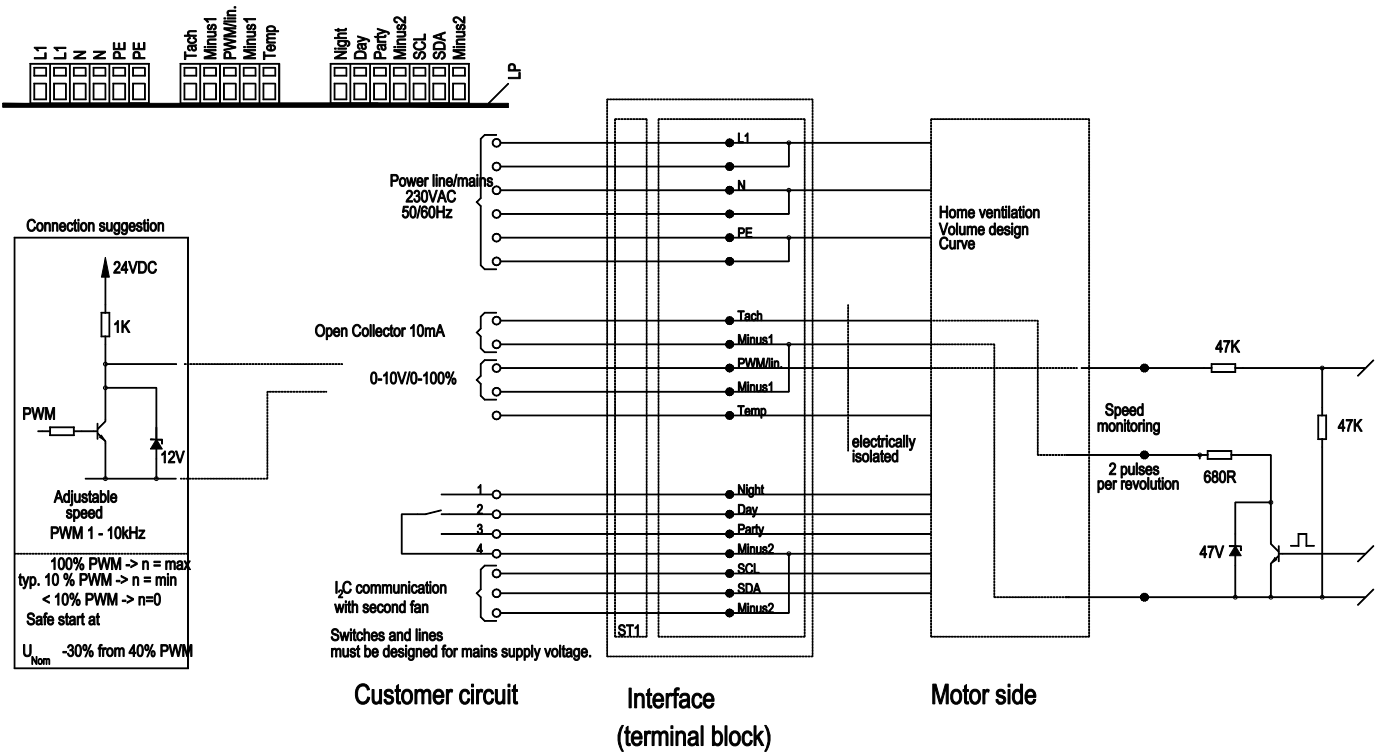
## Product drawing



# EC centrifugal fan

forward curved, single inlet  
with housing (without flange)

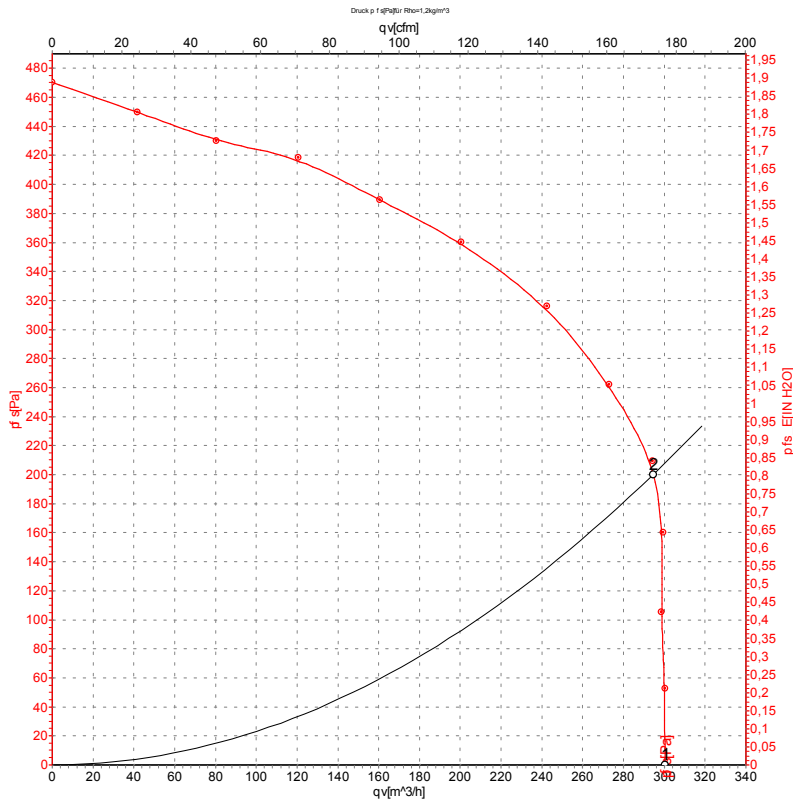
## Connection screen



# EC centrifugal fan

forward curved, single inlet  
with housing (without flange)

## Charts: Air flow 50 Hz



Measurement: LU-62202

Air performance measured as per ISO 5801 Installation category A. For detailed information on the measuring set-up, please contact ebm-papst. Suction-side noise levels: LwA measured as per ISO 13347 / LpA measured with 1m distance to fan axis. The values given are valid under the measuring conditions mentioned above and may vary according to the actual installation situation. With any deviation from the standard set-up, the specific values have to be checked and reviewed with the unit installed.

## Measured values

	U	f	n	P <sub>ed</sub>	I	qv	p <sub>fs</sub>
	V	Hz	min <sup>-1</sup>	W	A	m <sup>3</sup> /h	Pa
1	230	50	1430	35	0.24	300	0
2	230	50	2130	69	0.50	295	200

U = Supply voltage · f = Frequency · n = Speed · P<sub>ed</sub> = Power input · I = Current draw · qv = Air flow · p<sub>fs</sub> = Pressure increase

