

G1G144-AF49-01

# EC centrifugal fan

single inlet

with housing (flange), Gas blower for gas-condensing heating



G1G144-AF49-01 ebmpapst Datasheet

[sales@fansco.com](mailto:sales@fansco.com)

[www.fansco.com](http://www.fansco.com)

## Nominal data

Type	G1G144-AF49-01	
Motor	M1G055-BD	
Phase		1~
Nominal voltage	VAC	230
Frequency	Hz	50/60
Type of data definition		fa
Speed	min <sup>-1</sup>	4800
Power input	W	75
Current draw	A	-
Max. ambient temperature	°C	-

ml = Max. load · me = Max. efficiency · fa = Running at free air · cs = Customer specs · cu = Customer unit  
Subject to alterations



# EC centrifugal fan

single inlet

with housing (flange), Gas blower for gas-condensing heating

## Technical features

Mass	1.6 kg
Size	144 mm
Surface of rotor	Thick layer passivated
Material of protective cover	PP plastic
Material of impeller	PA plastic
Housing material	Die-cast aluminium
Direction of rotation	Clockwise, seen on rotor
Type of protection	IP 20
Insulation class	"B"
Max. permissible ambient motor temp. (transp./ storage)	+ 80 °C
Min. permissible ambient motor temp. (transp./storage)	- 40 °C
Mounting position	Any
Condensate discharge holes	None
Operation mode	S1
Premix	Not suitable for pre-mixture.
Motor bearing	Ball bearing
Technical features	<ul style="list-style-type: none"> <li>- Tach output</li> <li>- Motor current limit</li> <li>- PWM control input</li> </ul>
Touch current acc. IEC 60990 (measuring network Fig. 4, TN system)	<= 3.5 mA
Motor protection	Reverse polarity and locked-rotor protection
Protection class	I (if protective earth is connected by customer)
Remark	Complete unit must be tested for required approvals.

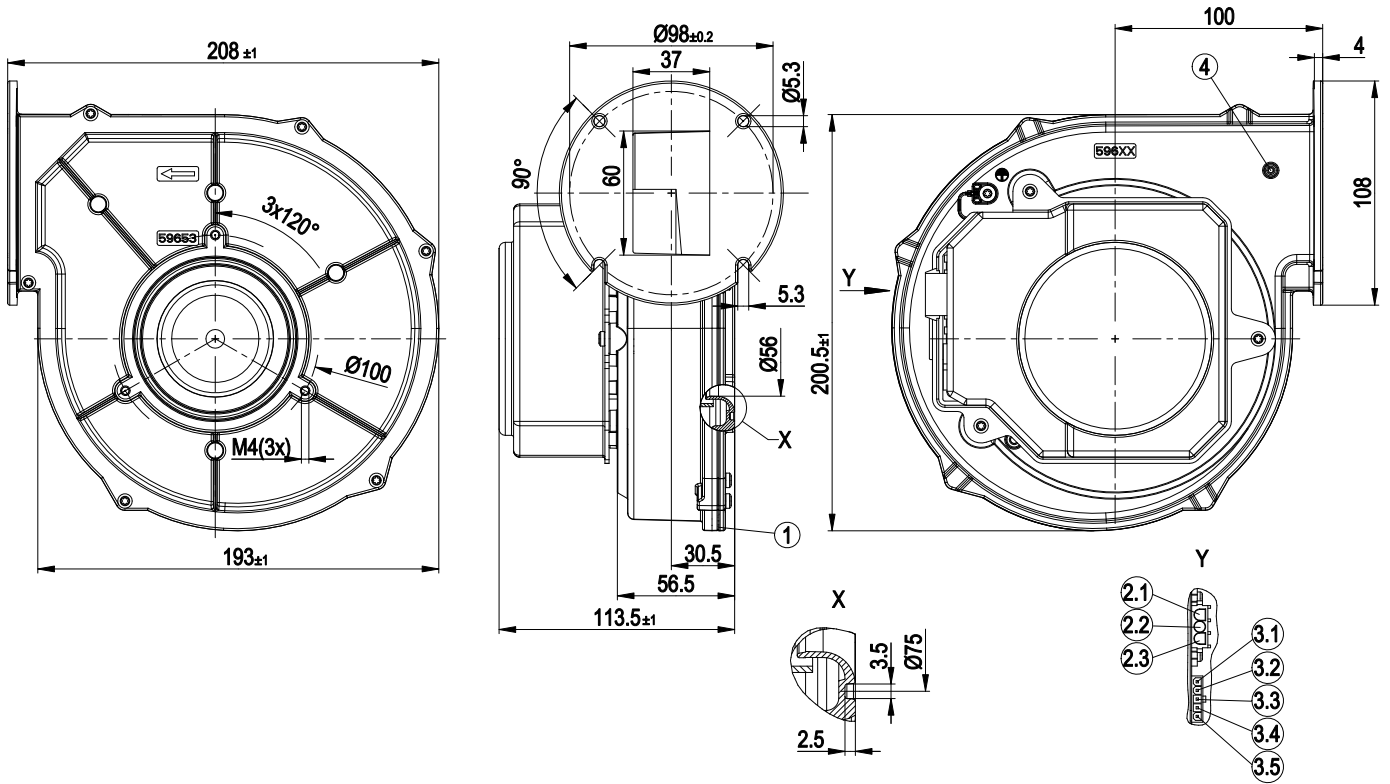


# EC centrifugal fan

single inlet

with housing (flange), Gas blower for gas-condensing heating

## Product drawing



1	Housing side parts sealed with NBR round cord (pentane-resistant)
2	3-pole strip, mating connector: (not included in standard scope of delivery) tyco No. 350 766-1; female terminal: tyco No. 926 884-1
2.1	L
2.2	N
2.3	PE
3	5-pole strip; mating connector (not included in delivery) Molex No. 39-01-4050, female connector Molex No. 39-00-0059
3.1	(+)
3.2	Speed monitoring
3.3	Not assigned
3.4	PWM input
3.5	(-) GND
4	Closed bleeder connection for pressure relief (drilled open if necessary)



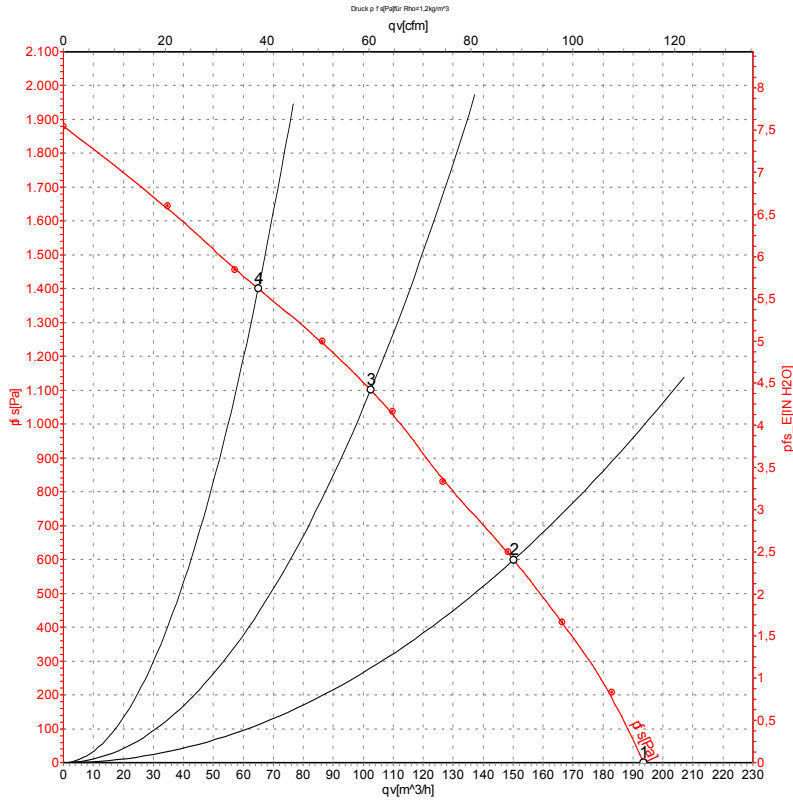


# EC centrifugal fan

single inlet

with housing (flange), Gas blower for gas-condensing heating

## Charts: Air flow 50 Hz



Air performance measured as per ISO 5801 Installation category A. For detailed information on the measuring set-up, please contact ebm-papst. Suction-side noise levels: L<sub>WA</sub> measured as per ISO 13347 / L<sub>pA</sub> measured with 1m distance to fan axis. The values given are valid under the measuring conditions mentioned above and may vary according to the actual installation situation. With any deviation from the standard set-up, the specific values have to be checked and reviewed with the unit installed.

## Measured values

	U	f	n	P <sub>ed</sub>	I	qv	P <sub>fs</sub>
	V	Hz	min <sup>-1</sup>	W	A	m <sup>3</sup> /h	Pa
1	230	50	4800	75	0.50	195	0
2	230	50	4935	73	0.50	150	600
3	230	50	5345	68	0.46	100	1100
4	230	50	5790	61	0.41	65	1400

U = Supply voltage · f = Frequency · n = Speed · P<sub>ed</sub> = Power input · I = Current draw · qv = Air flow · P<sub>fs</sub> = Pressure increase

