

G1G144-AE13-50

EC centrifugal fan

backward curved, single inlet

with housing (flange), Gas blower for gas-condensing heating



G1G144-AE13-50 ebmpapst Datasheet

sales@fansco.com

www.fansco.com

Nominal data

Type	G1G144-AE13-50	
Motor	M1G055-AI	
Nominal voltage	VDC	24
Nominal voltage range	VDC	16 .. 28
Type of data definition		fa
Speed	min ⁻¹	4300
Power input	W	51
Current draw	A	2.5
Min. ambient temperature	°C	- 25
Max. ambient temperature	°C	+70
Min. temp. of flow medium	°C	-25
Max. temp. of flow medium	°C	80

ml = max. load · me = max. efficiency · fa = running at free air · cs = customer specs · cu = customer unit
Subject to alterations



G1G144-AE13-50

EC centrifugal fan

backward curved, single inlet

with housing (flange), Gas blower for gas-condensing heating

Technical features

Mass	1.44 kg
Size	144 mm
Surface of rotor	Thick layer passivated
Material of protective cover	PP plastic
Material of impeller	PA plastic
Housing material	Die-cast aluminium
Direction of rotation	Clockwise, seen on rotor
Type of protection	IP 00
Insulation class	"B"
Max. permissible ambient motor temp. (transp./ storage)	+ 80 °C
Min. permissible ambient motor temp. (transp./storage)	- 40 °C
Mounting position	Any
Operation mode	S1
Premix	Not suitable for pre-mixture.
Motor bearing	Ball bearing
Technical features	- Tach output - Motor current limit - Control input PWM
Motor protection	Reverse polarity and locked-rotor protection
Approval	GOST

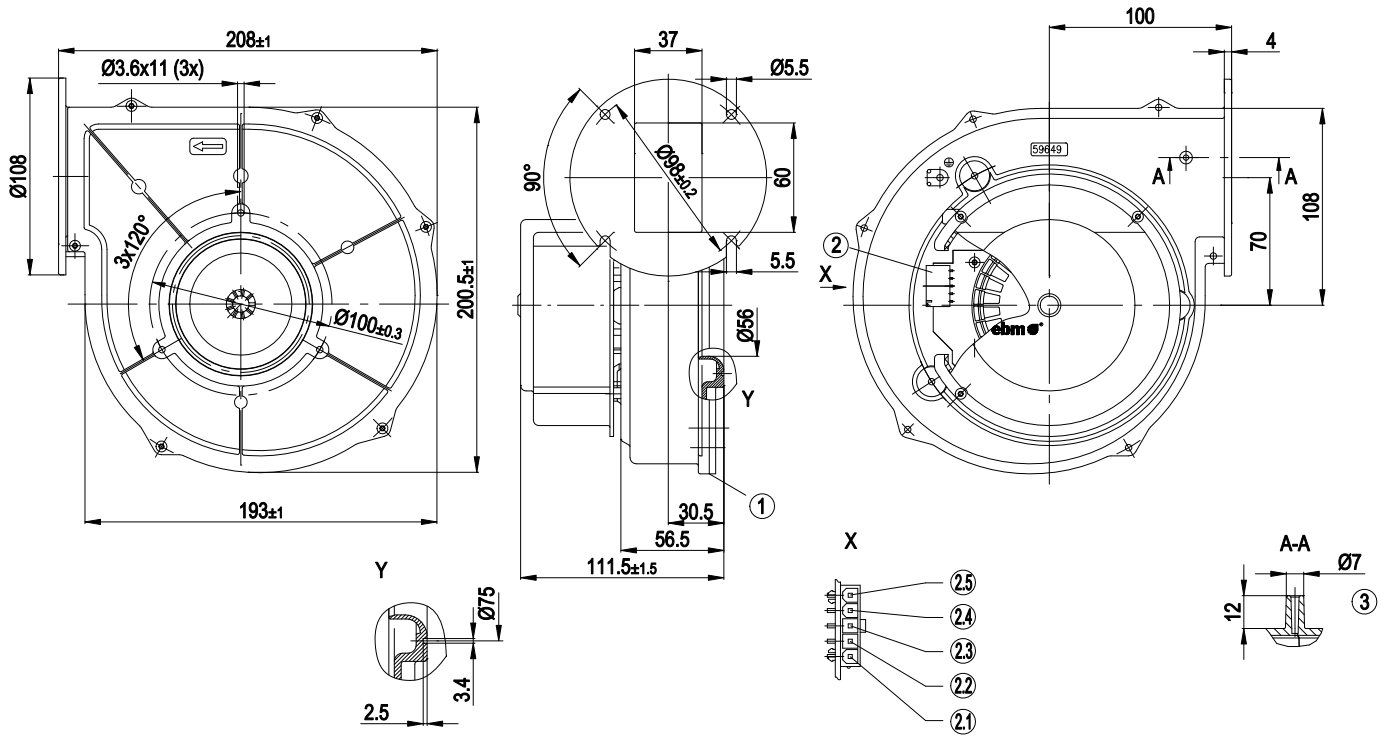


EC centrifugal fan

backward curved, single inlet

with housing (flange), Gas blower for gas-condensing heating

Product drawing



1	Housing side parts sealed with NBR round cord (pentane-resistant)
2	5-pole strip; mating connector (not included in standard scope of delivery): Molex No. 39-01-4050; female connector: Molex No. 39-00-0059
2.1	(+)
2.2	Speed monitoring
2.3	N.C.
2.4	PWM
2.5	(-)
3	Closed bleeder connection for pressure relief (drilled open if necessary)

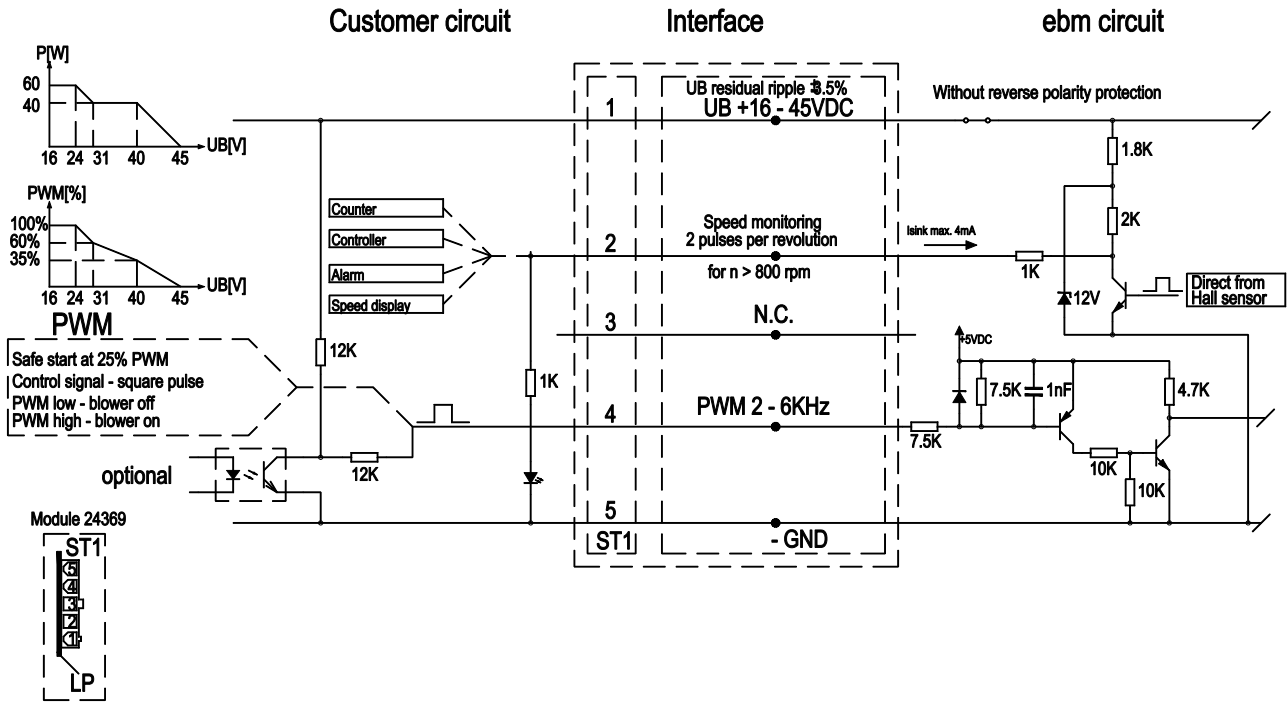


EC centrifugal fan

backward curved, single inlet

with housing (flange), Gas blower for gas-condensing heating

Connection screen

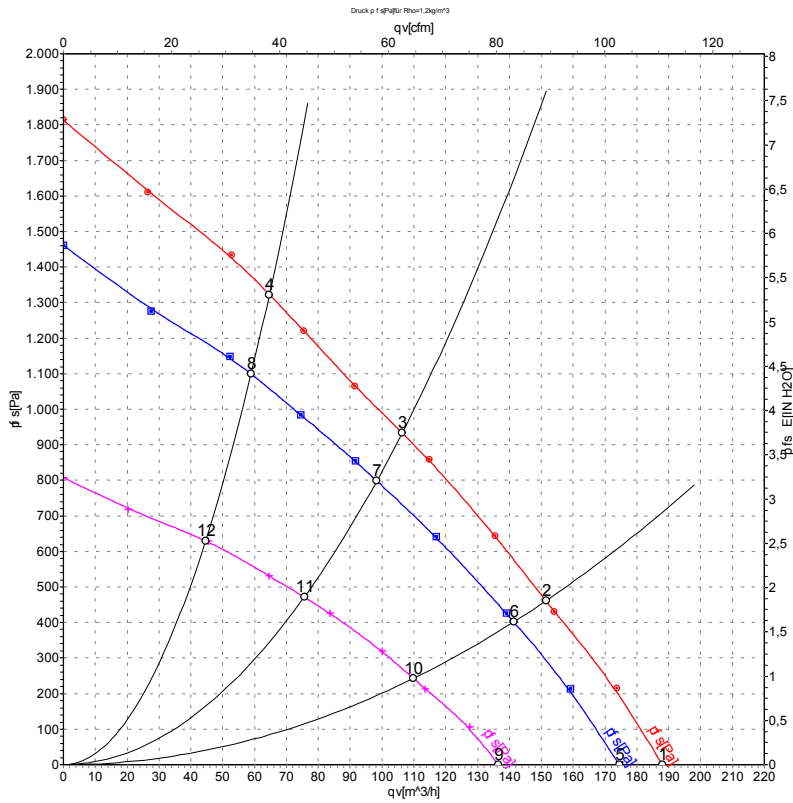


EC centrifugal fan

backward curved, single inlet

with housing (flange), Gas blower for gas-condensing heating

Charts: Air flow



Measurement: LU-54468
 Measurement: LU-54467
 Measurement: LU-54469

Air performance measured as per ISO 5801 Installation category A. For detailed information on the measuring set-up, please contact ebmpapst. Suction-side noise levels: LwA measured as per ISO 13347 / LpA measured with 1m distance to fan axis. The values given are valid under the measuring conditions mentioned above and may vary according to the actual installation situation. With any deviation from the standard set-up, the specific values have to be checked and reviewed with the unit installed.

Measured values

	U	n	P _{ed}	I	qv	p _{fs}
	V	min ⁻¹	W	A	m ³ /h	Pa
1	28	4615	64	2.81	190	0
2	28	4695	63	2.72	150	460
3	28	5085	58	2.44	105	934
4	28	5600	52	2.11	65	1322
5	24	4300	51	2.50	175	0
6	24	4395	50	2.41	140	400
7	24	4700	46	2.16	100	800
8	24	5100	40	1.86	60	1100
9	16	3395	25	1.73	135	0
10	16	3440	24	1.69	110	242
11	16	3640	21	1.49	75	472
12	16	3875	18	1.28	45	633

U = Supply voltage · n = Speed · P_{ed} = Power input · I = Current draw · qv = Air flow · p_{fs} = Pressure increase

