

G1G144-AB25-17

# EC centrifugal fan

backward curved

with housing (without flange), Gas blower for gas-condensing heating

G1G144-AB25-17 ebmpapst Datasheet

[sales@fansco.com](mailto:sales@fansco.com)

[www.fansco.com](http://www.fansco.com)

Limited partnership · Headquarters Muldingen  
County court Stuttgart · HRA 590344

General partner Elektrobau Muldingen GmbH · Headquarters Muldingen  
County court Stuttgart · HRB 590142

## Nominal data

Type	G1G144-AB25-17	
Motor	M1G055-BD	
Phase		1~
Nominal voltage	VAC	230
Frequency	Hz	50/60
Speed	min <sup>-1</sup>	4380
Power input	W	39
Current draw	A	0.36
Min. ambient temperature	°C	-25
Max. ambient temperature	°C	70
Min. temp. of flow medium	°C	-25
Max. temp. of flow medium	°C	+80

ml = Max. load · me = Max. efficiency · fa = Running at free air · cs = Customer specs · cu = Customer unit  
Subject to alterations



# EC centrifugal fan

backward curved

with housing (without flange), Gas blower for gas-condensing heating

## Technical features

Mass	1.49 kg
Size	144 mm
Material of protective cover	PP plastic
Material of impeller	PA plastic
Housing material	Die-cast aluminium
Direction of rotation	Clockwise, seen on rotor
Type of protection	IP 20
Insulation class	"B"
Max. permissible ambient motor temp. (transp./ storage)	+ 80 °C
Min. permissible ambient motor temp. (transp./storage)	- 40 °C
Mounting position	Any
Condensate discharge holes	Rotor-side
Cooling bore / aperture	Rotor-side
Operation mode	S1
Premix	Not suitable for pre-mixture.
Motor bearing	Ball bearing
Technical features	<ul style="list-style-type: none"> <li>- Selection switch connector</li> <li>- Motor current limit</li> <li>- PWM control input</li> <li>- Control interface with SELV potential safely disconnected from the mains</li> </ul>
EMC interference immunity	Acc. to EN 61000-6-2
EMC harmonics	Acc. to EN 61000-3-2/3
EMC interference emission	Acc. to EN 61000-6-3
Touch current acc. IEC 60990 (measuring network Fig. 4, TN system)	<= 3.5 mA
Electrical leads	With plug
Motor protection	Reverse polarity and locked-rotor protection
Protection class	I (if protective earth is connected by customer)
Product conforming to standard	EN 60950-1
Remark	Complete unit must be tested for required approvals.



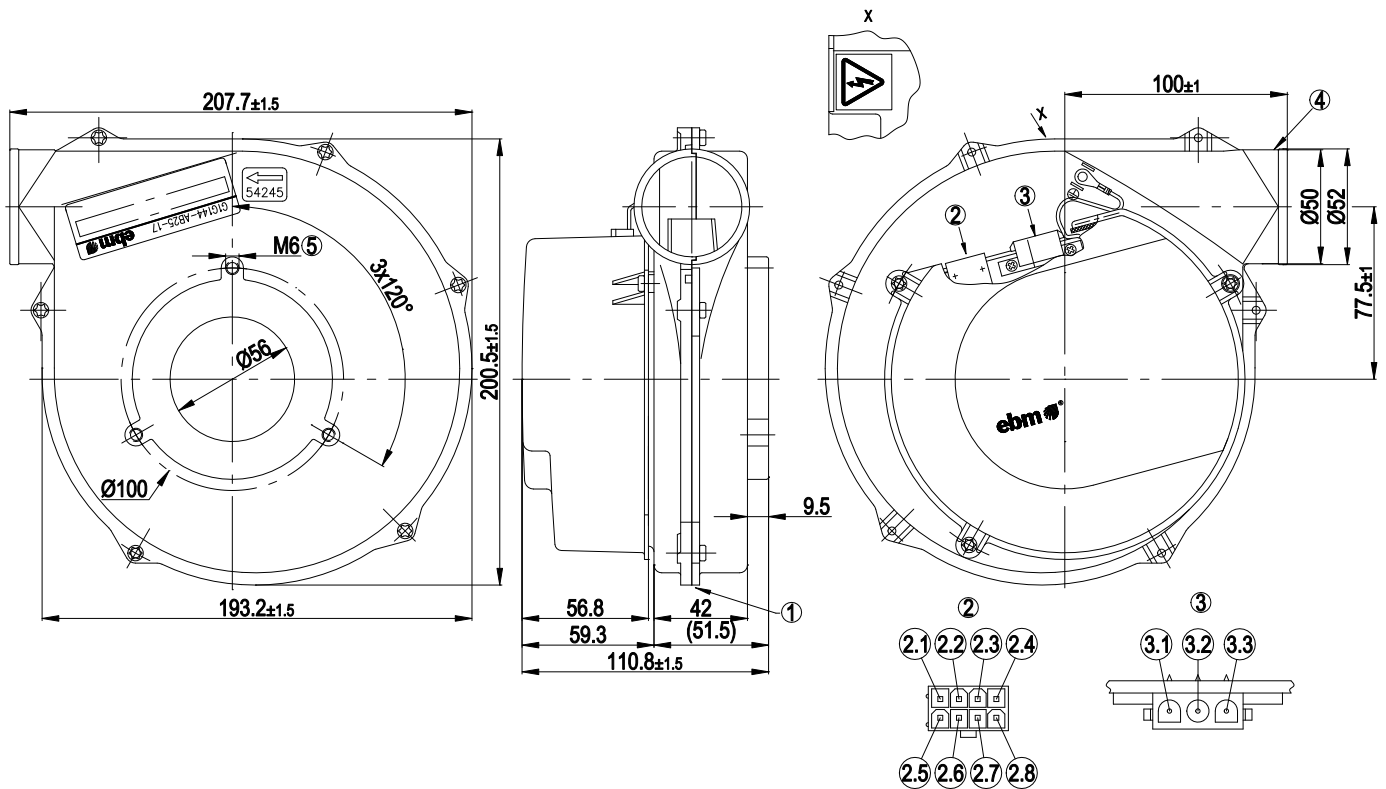
G1G144-AB25-17

# EC centrifugal fan

backward curved

with housing (without flange), Gas blower for gas-condensing heating

## Product drawing



1	Housing side parts sealed with NBR edge cord (pentane-resistant)
2	Strip MINI- FIT: Lonco 5569R-08-01-PG-V0; 8-pole
2.1	+ 12V
2.2	vacant
2.3	vacant
2.4	fan select
2.5	PWM open collector
2.6	vacant
2.7	vacant
2.8	fan select
3	Connector housing 3-pole: Universal MATE-N LOK AMP 1-350943-0
3.1	L
3.2	N
3.3	PE
4	Discharge sealed with silicone
5	Depth of screw max. 8 mm

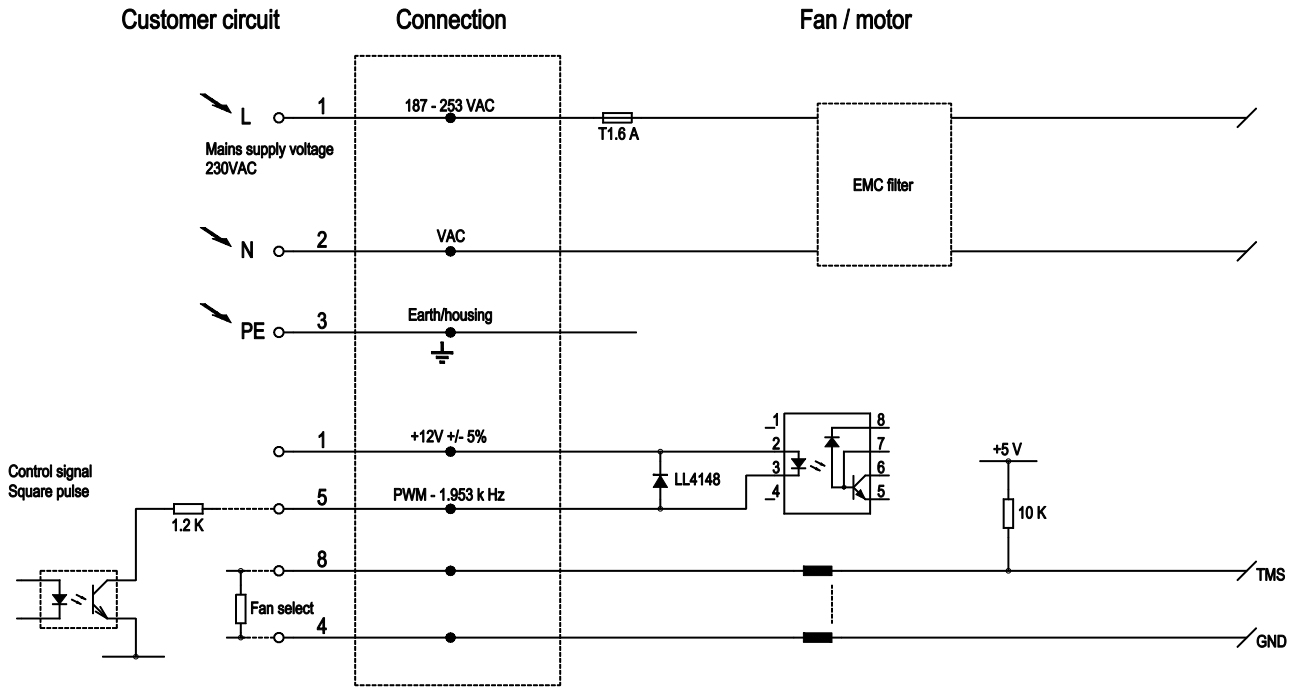


# EC centrifugal fan

backward curved

with housing (without flange), Gas blower for gas-condensing heating

## Connection screen

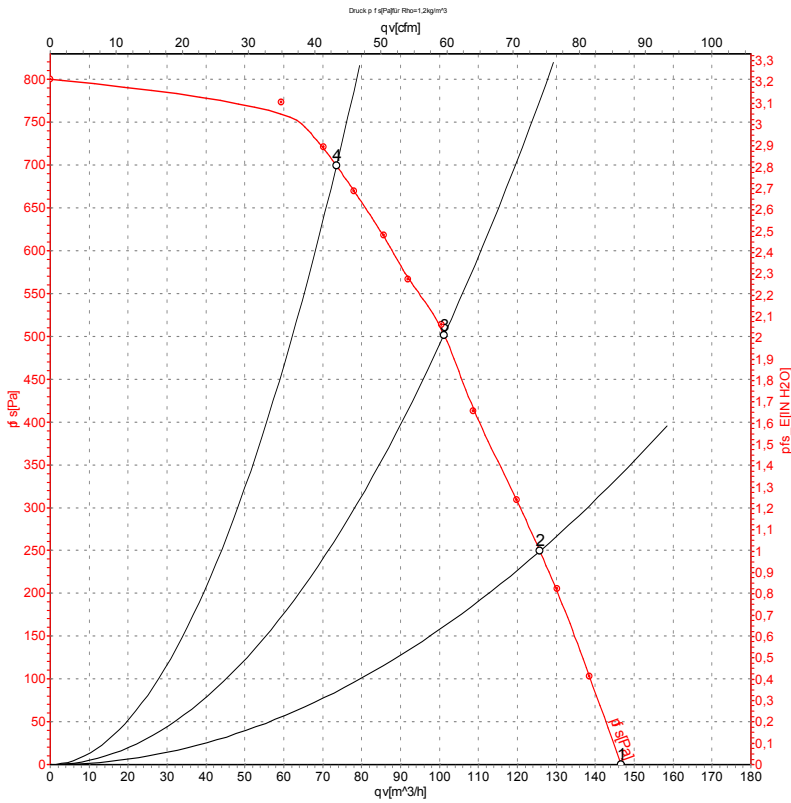


# EC centrifugal fan

backward curved

with housing (without flange), Gas blower for gas-condensing heating

## Charts: Air flow 50 Hz



Air performance measured as per ISO 5801 Installation category A. For detailed information on the measuring set-up, please contact ebm-papst. Suction-side noise levels: L<sub>wA</sub> measured as per ISO 13347 / L<sub>pA</sub> measured with 1m distance to fan axis. The values given are valid under the measuring conditions mentioned above and may vary according to the actual installation situation. With any deviation from the standard set-up, the specific values have to be checked and reviewed with the unit installed.

## Measured values

	U	f	n	P <sub>ed</sub>	I	qv	p <sub>fs</sub>
	V	Hz	min <sup>-1</sup>	W	A	m <sup>3</sup> /h	Pa
1	230	50	4360	55	0.35	145	0
2	230	50	4360	51	0.33	125	250
3	230	50	4355	45	0.29	100	500
4	230	50	4360	37	0.24	75	700

U = Supply voltage · f = Frequency · n = Speed · P<sub>ed</sub> = Power input · I = Current draw · qv = Air flow · p<sub>fs</sub> = Pressure increase

