

EC centrifugal fan

forward curved, single inlet
with housing (without flange)

G1G140-MW19-07 ebmpapst Datasheet
sales@fansco.com
www.fansco.com

Limited partnership · Headquarters Mulfingen
County court Stuttgart · HRA 590344

General partner: Elektrobau Mulfingen GmbH · Headquarters Mulfingen
County court Stuttgart · HRB 590142

Nominal data

Type	G1G140-MW19-07	
Motor	M1G055-CF	
Nominal voltage	VDC	24
Nominal voltage range	VDC	16 .. 28
Type of data definition		fa
Speed	min ⁻¹	2440
Power input	W	50
Current draw	A	2.3
Min. ambient temperature	°C	- 25
Max. ambient temperature	°C	+60

ml = max. load · me = max. efficiency · fa = running at free air · cs = customer specs · cu = customer unit
Subject to alterations



EC centrifugal fan

forward curved, single inlet
with housing (without flange)

Technical features

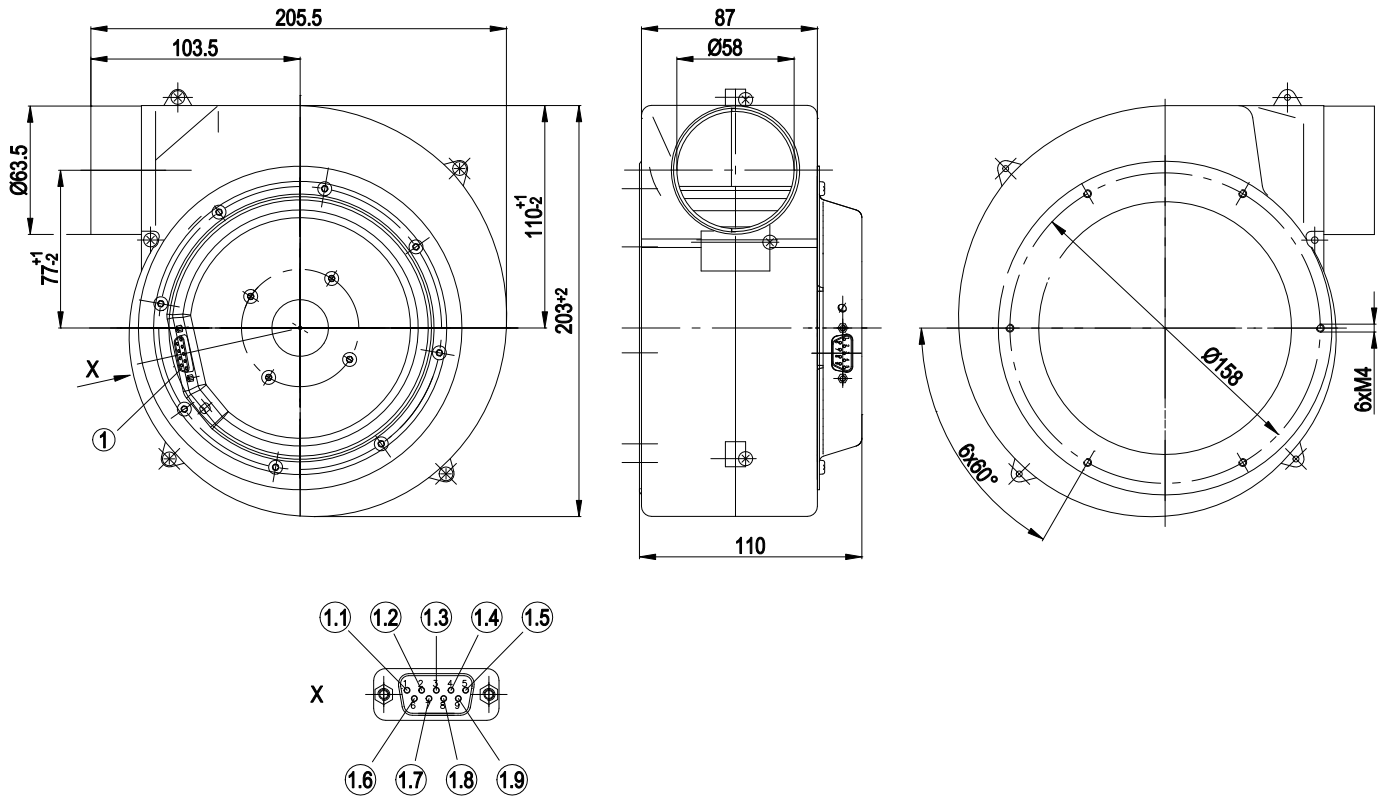
Mass	1.85 kg
Size	140 mm
Surface of rotor	Coated in black
Material of impeller	PP-TV40 plastic
Housing material	Die-cast aluminium
Direction of rotation	Clockwise, seen on rotor
Type of protection	IP 20
Insulation class	"B"
Humidity class	F0
Max. permissible ambient motor temp. (transp./ storage)	+80 °C
Min. permissible ambient motor temp. (transp./storage)	-40 °C
Mounting position	Any
Condensate discharge holes	None
Cooling bore / aperture	Rotor-side
Operation mode	S1
Motor bearing	Ball bearing
Technical features	<ul style="list-style-type: none"> - Control input 0-10 VDC / PWM - Motor current limit - Soft start
EMC interference immunity	Acc. to EN 61000-6-2 (industrial environment)
EMC interference emission	Acc. to EN 55022 (Class B)
Electrical leads	With plug
Motor protection	Reverse polarity and locked-rotor protection
Cable exit	Lateral



EC centrifugal fan

forward curved, single inlet
with housing (without flange)

Product drawing



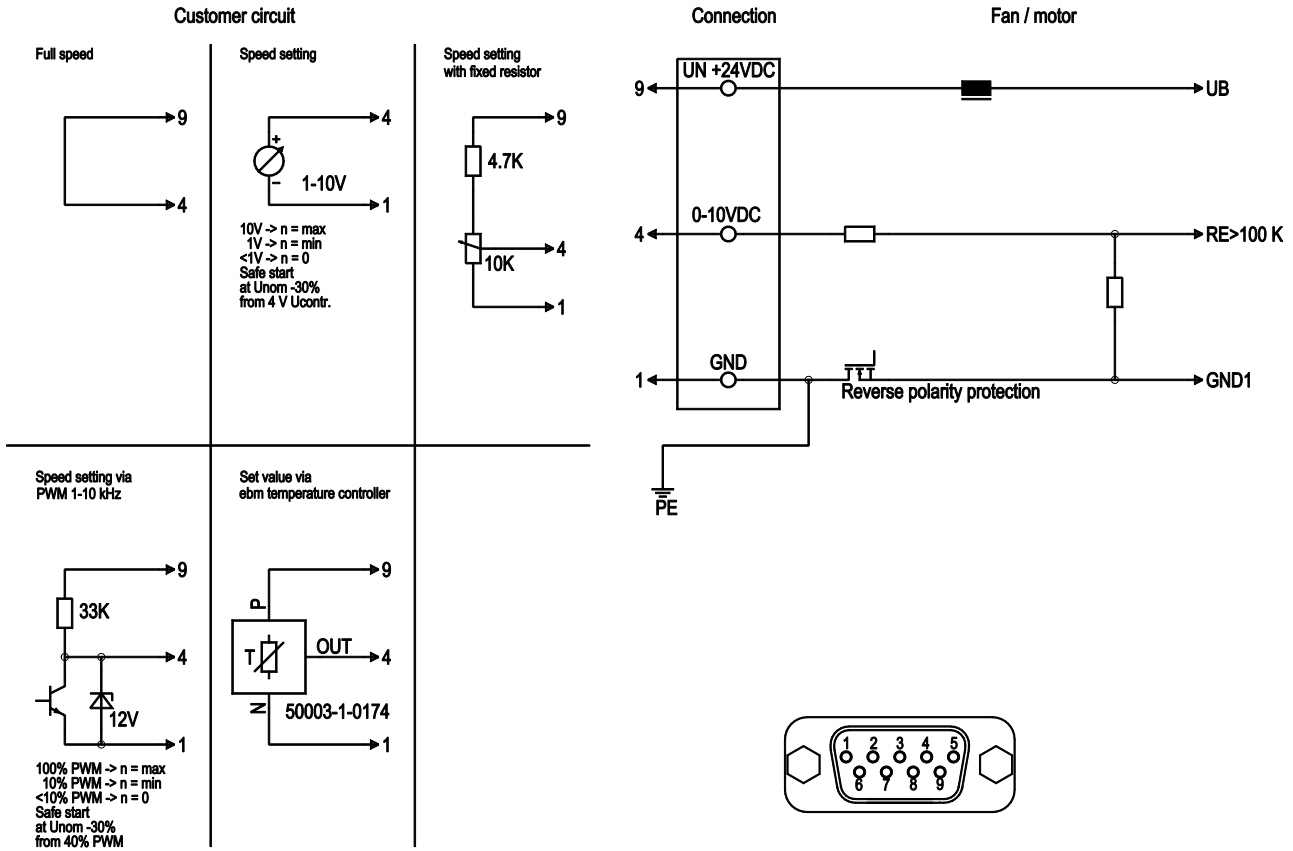
X	View X
1	Connector housing Spectrum Control No. 56F-701-015LI
1.1	GND
1.2	Not assigned
1.3	Not assigned
1.4	0-10 VDC
1.5	Not assigned
1.6	Not assigned
1.7	Not assigned
1.8	Not assigned
1.9	UN +24 VDC



EC centrifugal fan

forward curved, single inlet
with housing (without flange)

Connection screen



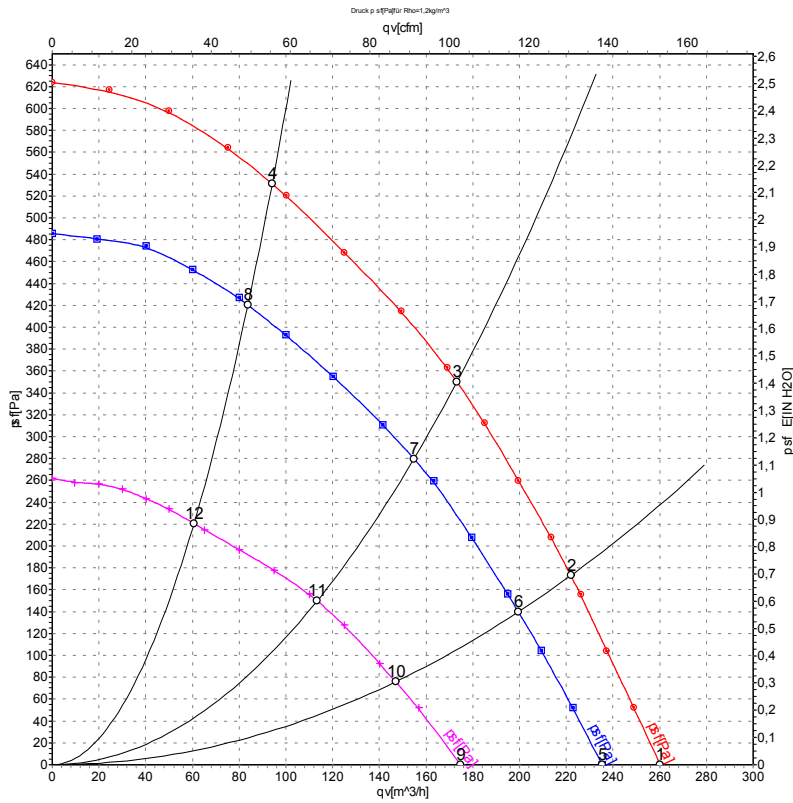
Line	No.	Signal	Colour	Function / assignment
1	1	GND	blue	Reference mass
1	4	0-10 VDC	yellow	Control input Re > 100 k
1	9	UN +24 VDC	red	Power supply 24 VDC, residual ripple 3.5 %



EC centrifugal fan

forward curved, single inlet
with housing (without flange)

Charts: Air flow



Measurement: LU-122875
Measurement: LU-122868
Measurement: LU-122872

Air performance measured as per ISO 5801 Installation category A. For detailed information on the measuring set-up, please contact ebm-papst. Suction-side noise levels: L_{wA} measured as per ISO 13347 / L_{pA} measured with 1m distance to fan axis. The values given are valid under the measuring conditions mentioned above and may vary according to the actual installation situation. With any deviation from the standard set-up, the specific values have to be checked and reviewed with the unit installed.

Measured values

	U	n	P _e	I	qv	p _{sf}
	V	min ⁻¹	W	A	m ³ /h	Pa
1	28	2680	67	2.67	260	0
2	28	2810	61	2.45	220	173
3	28	2975	54	2.13	175	350
4	28	3235	42	1.69	95	531
5	24	2440	50	2.30	235	0
6	24	2535	45	2.09	200	140
7	24	2670	39	1.83	155	280
8	24	2885	31	1.46	85	420
9	16	1835	21	1.51	175	0
10	16	1895	19	1.38	145	76
11	16	1980	17	1.23	115	150
12	16	2110	13	1.13	60	220

