

G1G140-AW13-27

EC centrifugal fan

forward curved, single inlet

with housing (flange)



G1G140-AW13-27 ebmpapst Datasheet

sales@fansco.com

www.fansco.com

Limited partnership · Headquarters Muldingen
County court Stuttgart · HRA 590344

General partner Elektrobau Muldingen GmbH · Headquarters Muldingen
County court Stuttgart · HRB 590142

Nominal data

Type	G1G140-AW13-27	
Motor	M1G055-CF	
Nominal voltage	VDC	48
Nominal voltage range	VDC	36 .. 57
Type of data definition		fa
Speed	min ⁻¹	2000
Power input	W	67
Current draw	A	1.6
Min. ambient temperature	°C	-25
Max. ambient temperature	°C	40
Min. temp. of flow medium	°C	-25
Max. temp. of flow medium	°C	+80

ml = Max. load · me = Max. efficiency · fa = Running at free air · cs = Customer specs · cu = Customer unit
Subject to alterations



EC centrifugal fan

forward curved, single inlet
with housing (flange)

Technical features

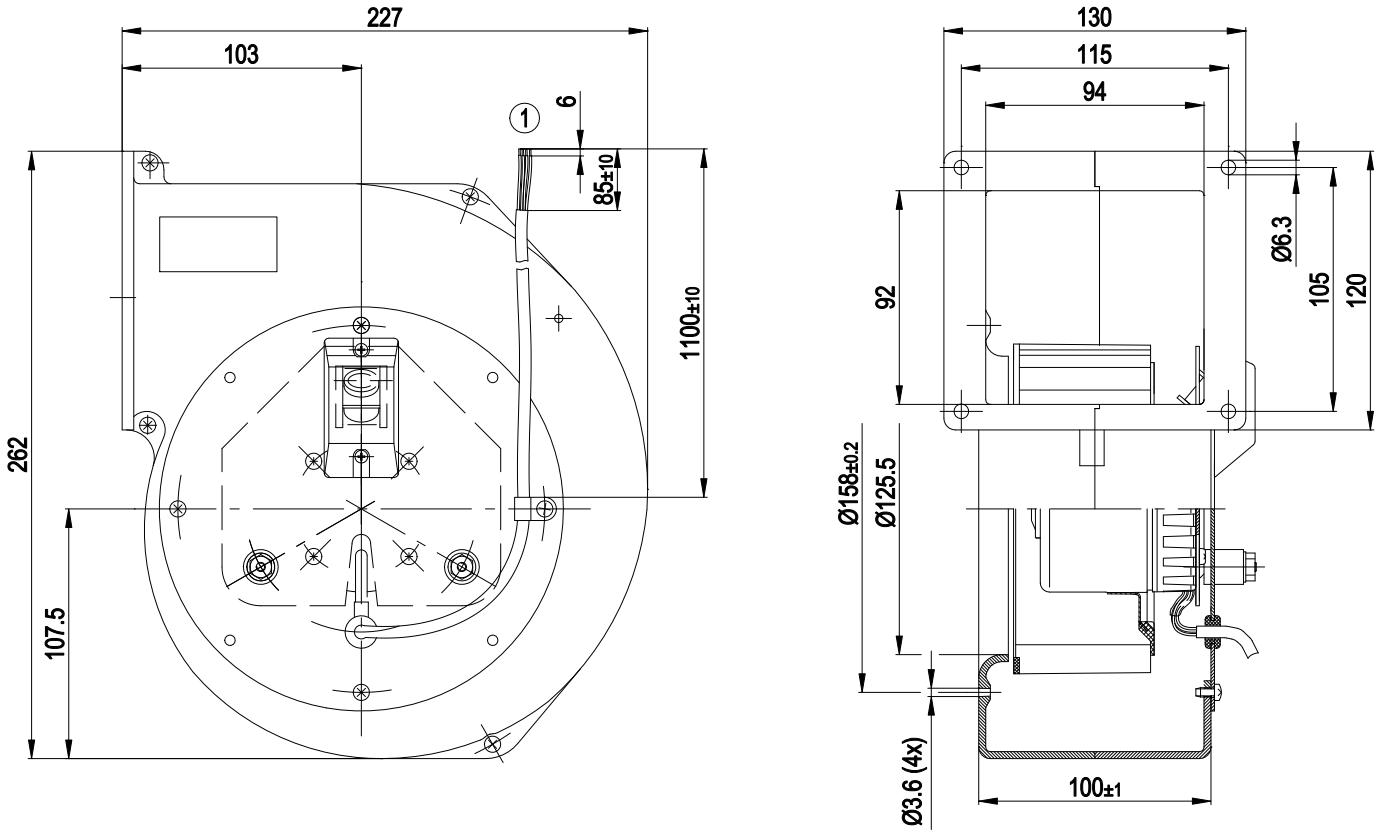
Mass	2.9 kg
Size	140 mm
Surface of rotor	Coated in black
Material of impeller	PP plastic
Housing material	Die-cast aluminium
Motor suspension	Motor anti-vibration mounted on one side via mounting plate
Direction of rotation	Clockwise, seen on rotor
Type of protection	IP 20
Insulation class	"B"
Humidity class	F0
Max. permissible ambient motor temp. (transp./ storage)	+80 °C
Min. permissible ambient motor temp. (transp./storage)	-40 °C
Mounting position	Shaft horizontal, discharge on top left side
Condensate discharge holes	None
Operation mode	S1
Motor bearing	Ball bearing
Technical features	<ul style="list-style-type: none"> - Control input 0-10 VDC / PWM - Tach output - Motor current limit - Soft start
Motor protection	Reverse polarity and locked-rotor protection
Cable exit	Variable
Product conforming to standard	EN 60950-1



EC centrifugal fan

forward curved, single inlet
with housing (flange)

Product drawing



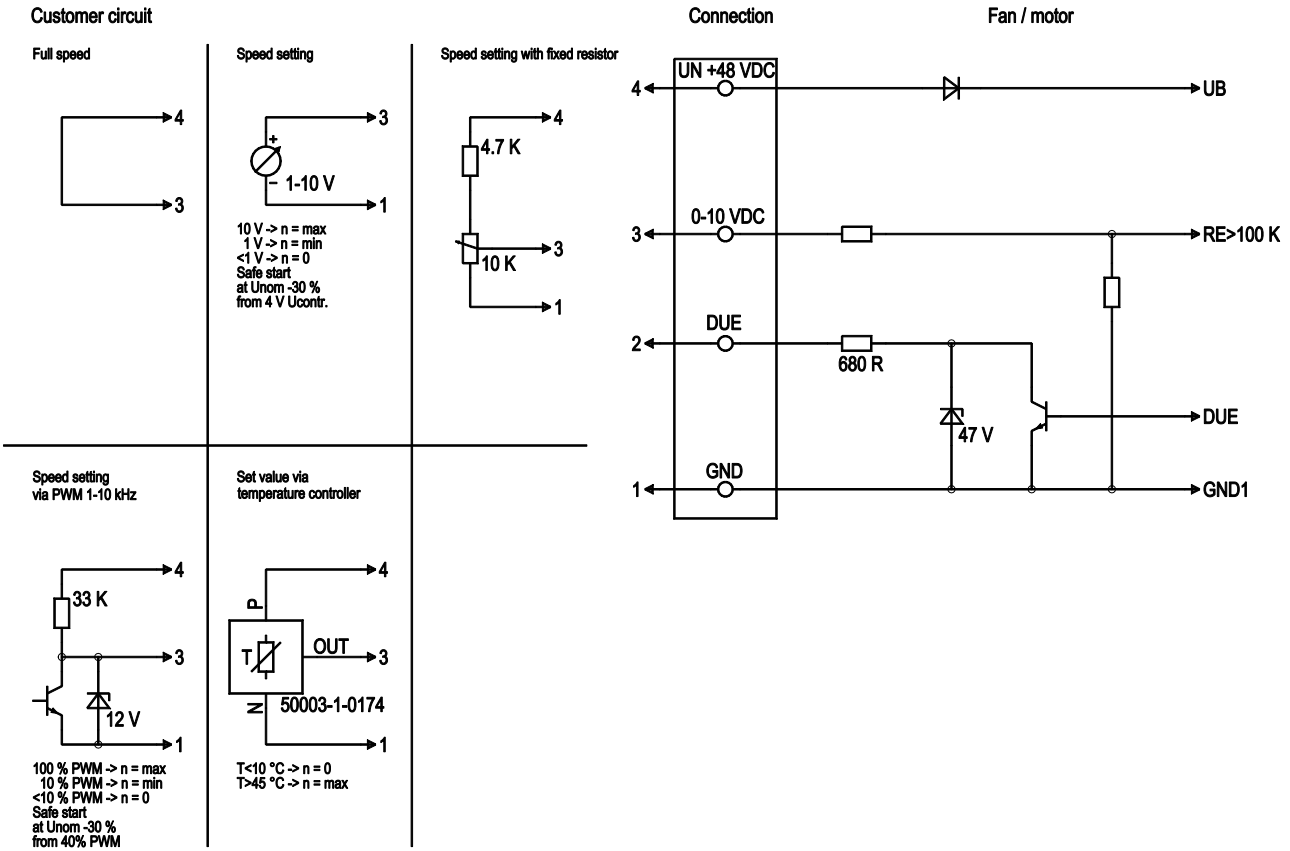
1 Connection line AWG20, 4 x tin-plated lead tips



EC centrifugal fan

forward curved, single inlet
with housing (flange)

Connection screen



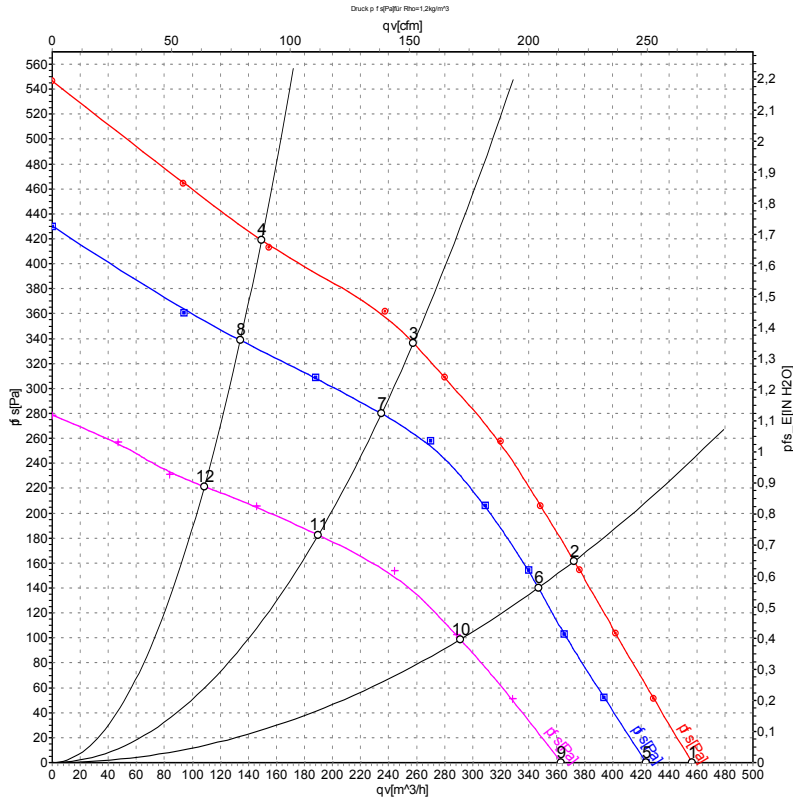
No.	Conn.	Designation	Colour	Function / assignment
1	1	GND	blue	Reference mass
1	2	Tach	white	Speed monitoring output, 2 pulses per rotation, Isink max = 10 mA
1	3	0-10 VDC	yellow	Control input Re > 100 K
1	4	Un +48 VDC	red	Power supply 48 VDC, residual ripple 3.5 %



EC centrifugal fan

forward curved, single inlet
with housing (flange)

Charts: Air flow



Measurement: LU-46114
Measurement: LU-46113
Measurement: LU-46115

Air performance measured as per ISO 5801 Installation category A. For detailed information on the measuring set-up, please contact ebmpapst. Suction-side noise levels: LwA measured as per ISO 13347 / LpA measured with 1m distance to fan axis. The values given are valid under the measuring conditions mentioned above and may vary according to the actual installation situation. With any deviation from the standard set-up, the specific values have to be checked and reviewed with the unit installed.

Measured values

	U	n	P _{ed}	I	qv	p _{fs}
	V	min ⁻¹	W	A	m ³ /h	Pa
1	56	2170	85	1.82	455	0
2	56	2350	78	1.62	370	162
3	56	2690	70	1.39	260	336
4	56	3010	60	1.18	150	418
5	48	2000	67	1.60	420	0
6	48	2190	63	1.47	345	140
7	48	2485	54	1.23	235	280
8	48	2715	44	1.01	135	338
9	36	1740	43	1.30	365	0
10	36	1850	38	1.16	290	99
11	36	2040	30	0.93	190	182
12	36	2200	24	0.77	110	221

U = Supply voltage · n = Speed · P_{ed} = Power input · I = Current draw · qv = Air flow · p_{fs} = Pressure increase

