

G1G133-DE19-15

EC centrifugal fan

forward-curved, single-intake
with housing (without flange)

G1G133-DE19-15 ebmpapst Datasheet FansCo

sales@fansco.com

www.fansco.com

Nominal data

Type	G1G133-DE19-15	
Motor	M1G055-BD	
Nominal voltage	VDC	24
Nominal voltage range	VDC	6 .. 24
Status		prelim.
Speed (rpm)	min ⁻¹	2000
Power consumption	W	45

ml = Max. load · me = Max. efficiency · fa = Free air · cs = Customer specification · ce = Customer equipment
Subject to change



EC centrifugal fan

forward-curved, single-intake
with housing (without flange)

Technical description

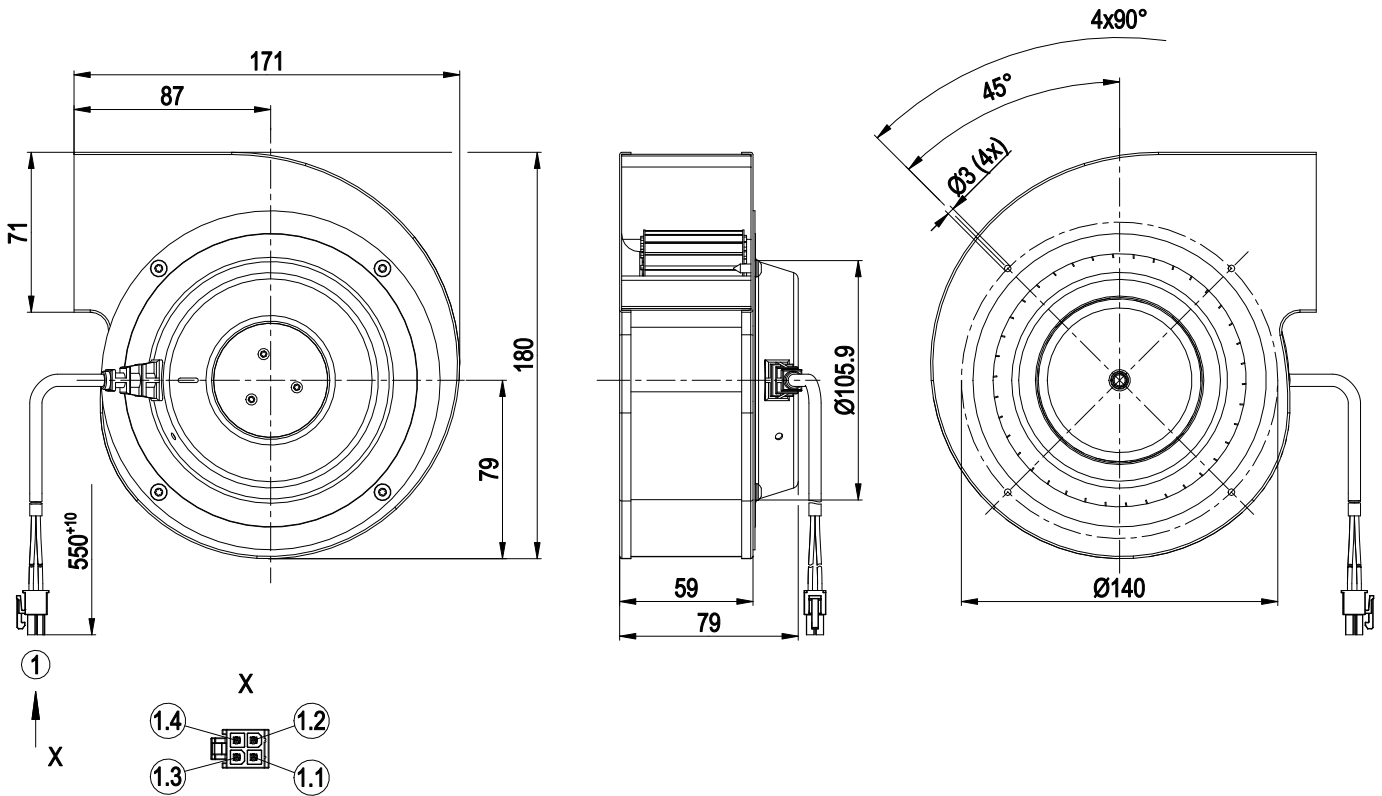
Weight	1.3 kg
Size	133 mm
Motor size	55
Rotor surface	Thick-film passivated
Impeller material	Sheet steel, galvanized
Housing material	Sheet steel, galvanized
Direction of rotation	Clockwise, viewed toward rotor
Degree of protection	IP20
Insulation class	"B"
Moisture (F) / Environmental (H) protection class	F0; H0 - dry environment
Max. permitted ambient temp. for motor (transport/storage)	+ 80 °C
Min. permitted ambient temp. for motor (transport/storage)	- 40 °C
Installation position	Any
Condensation drainage holes	None
Mode	S1
Motor bearing	Ball bearing
Technical features	<ul style="list-style-type: none"> - Fault output (open collector) - Motor current limitation - Soft start - Reverse polarity protection
Electrical hookup	Connector with cable
Motor protection	Locked-rotor protection
With cable	Lateral
Conformity with standards	EN 60335-1



EC centrifugal fan

forward-curved, single-intake
with housing (without flange)

Product drawing



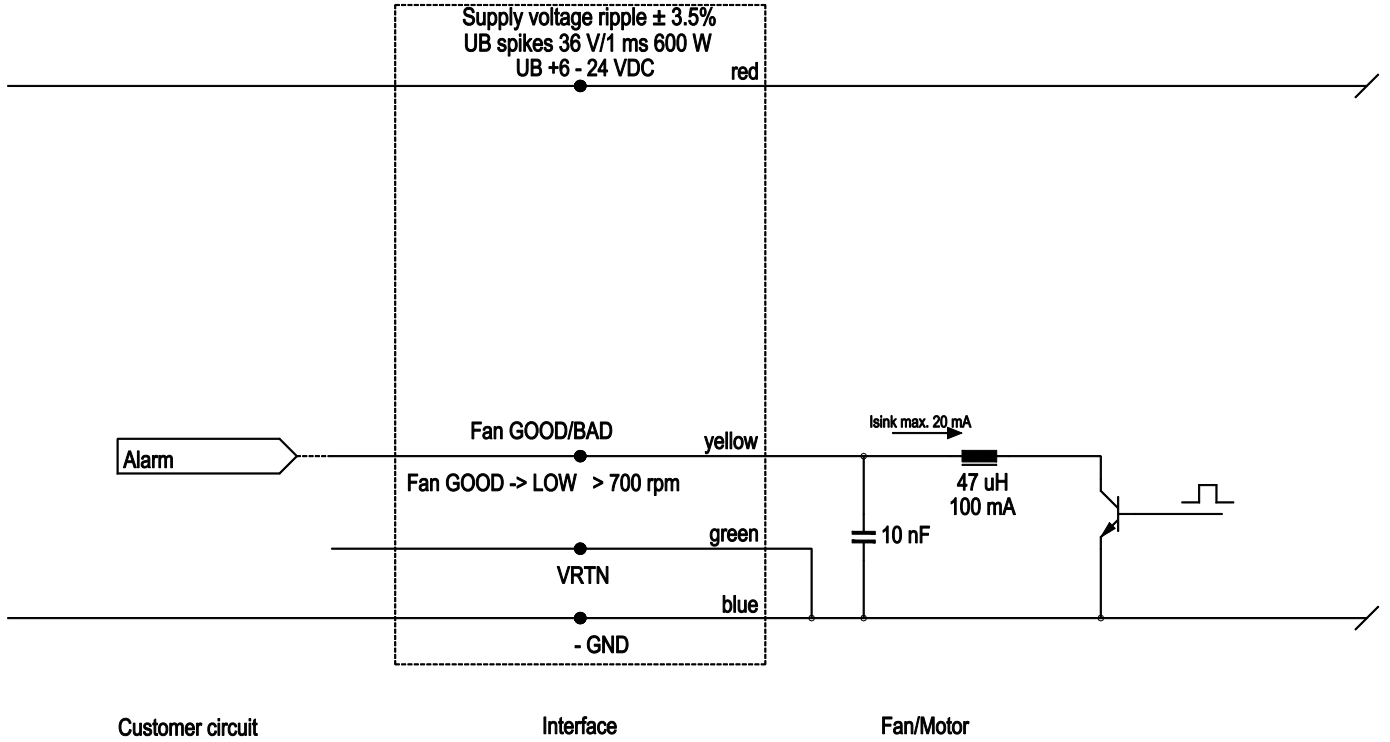
1	Cable PVC AWG20 4-pole connector housing Molex 39-01-2045, 4x socket Molex 39-00-0059
1.1	+ (red)
1.2	fan alarm (yellow)
1.3	- (blue)
1.4	GND (green)



EC centrifugal fan

forward-curved, single-intake
with housing (without flange)

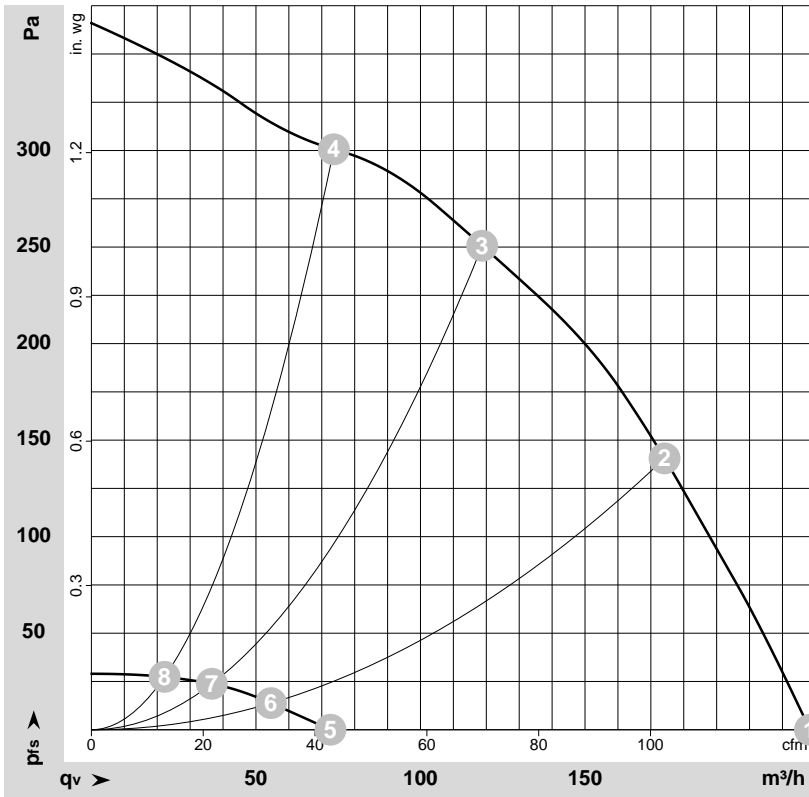
Connection diagram



EC centrifugal fan

forward-curved, single-intake
with housing (without flange)

Curves: Air performance



$\rho = 1.15 \text{ kg/m}^3 \pm 2 \%$

Measurement: LU-61448-1
Measurement: LU-37603-1

Air performance measured according to ISO 5801 installation category A. For detailed information on the measurement setup, contact ebm-papst. Intake sound level: Sound power level according to ISO 13347 / sound pressure level measured at 1 m distance from fan axis. The values given are valid under the specified measuring conditions and may vary due to conditions of installation. For deviations from the standard configuration, the parameters have to be checked on the installed unit.

Measured values

	U	n	P _{ed}	I	q _v	p _{fs}	q _v	p _{fs}
	V	min ⁻¹	W	A	m ³ /h	Pa	cfm	in. wg
1	24	2000	40	1.92	220	0	130	0.00
2	24	2140	35	1.65	175	140	100	0.56
3	24	2415	28	1.30	120	250	70	1.00
4	24	2605	23	1.09	75	300	45	1.20
5	6	675	2.00	0.51	75	0	45	0.00
6	6	715	2.00	0.48	55	14	30	0.06
7	6	770	2.00	0.44	35	24	20	0.10
8	6	805	2.00	0.41	20	27	15	0.11

U = Voltage · n = Speed (rpm) · P_{ed} = Power consumption · I = Current draw · q_v = Air flow · p_{fs} = Pressure increase

