

G1G126-AA49-71

EC centrifugal fan

forward curved, single inlet

with housing (flange), Gas blower for gas-condensing heating

G1G126-AA49-71 ebmpapst Datasheet FansCo

sales@fansco.com

www.fansco.com

Nominal data

Type	G1G126-AA49-71	
Motor	M1G055-BD	
Phase		1~
Nominal voltage	VAC	230
Frequency	Hz	50/60
Type of data definition		rfa
Speed	min ⁻¹	5000
Power input	W	75
Current draw	A	-
Min. ambient temperature	°C	-25
Max. ambient temperature	°C	70
Min. temp. of flow medium	°C	-25
Max. temp. of flow medium	°C	80

ml = max. load · me = max. efficiency · rfa = running at free air · cs = customer specs · cu = customer unit
Subject to alterations

EC centrifugal fan

forward curved, single inlet

with housing (flange), Gas blower for gas-condensing heating

Technical features

Leakage current	<= 3.5 mA
Size	126 mm
Operation mode	S1
Direction of rotation	Clockwise, seen on rotor
Mounting position	Any
Insulation class	"B"
Motor bearing	Ball bearing
Mass	1.5 kg
Material of protective cover	PP plastic -30TV
Housing material	Die-cast aluminium
Material of impeller	Plastic PA6, fibreglass-reinforced
Motor protection	Reverse polarity and locked-rotor protection
Surface of rotor	Thick layer passivated
Type of protection	IP 20
Technical features	- Tach output - Motor current limit - Control input PWM
Max. permissible ambient motor temp. (transp./ storage)	+ 80 °C
Min. permissible ambient motor temp. (transp./storage)	- 40 °C

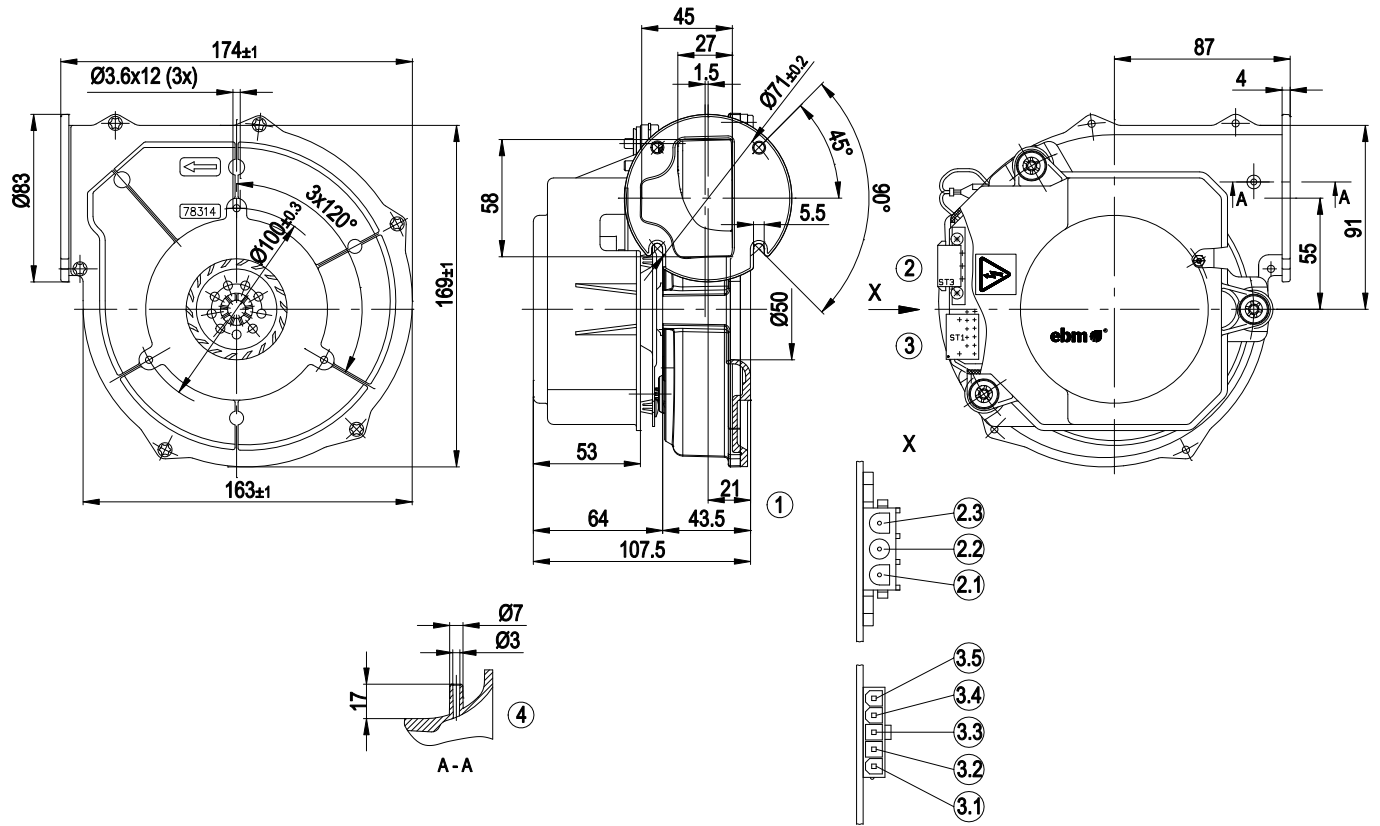
G1G126-AA49-71

EC centrifugal fan

forward curved, single inlet

with housing (flange), Gas blower for gas-condensing heating

Product drawing



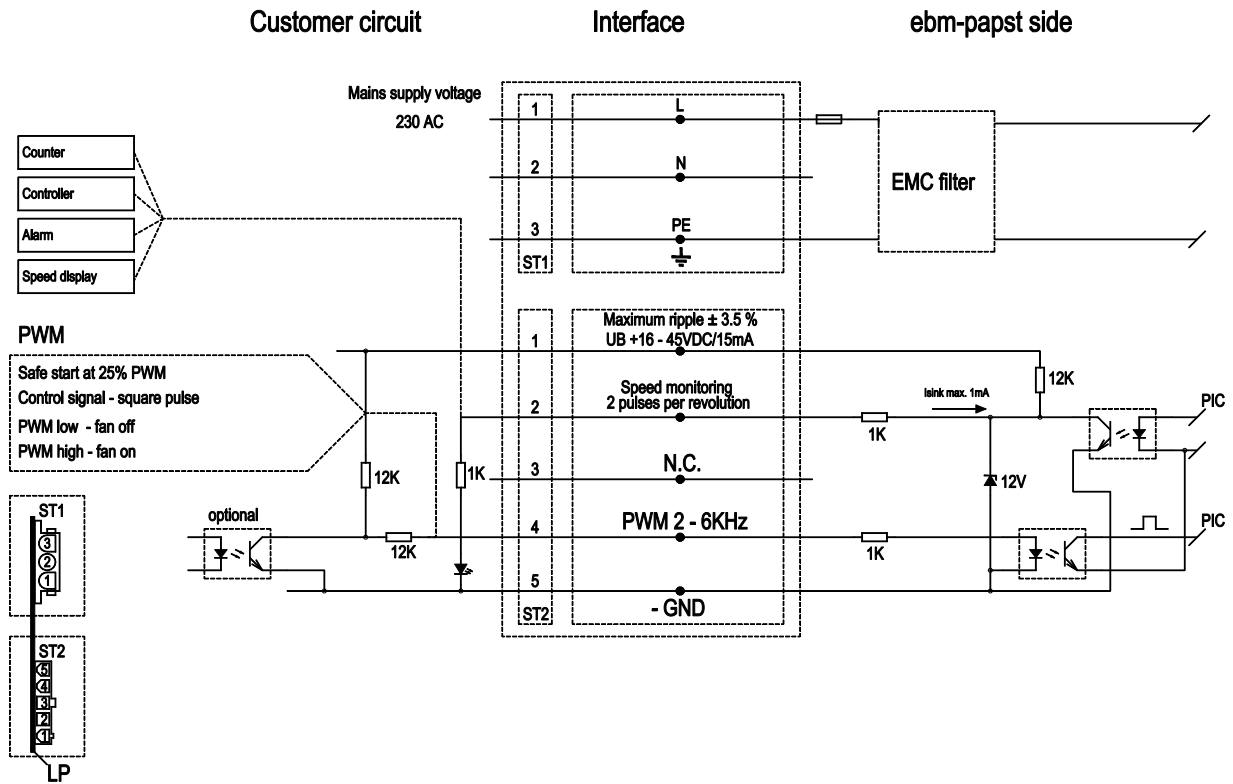
1	Housing side parts sealed with NBR round cord (pentane-resistant)
2	3-pole strip, mating connector: (not included in standard scope of delivery): tyco No. 350 766-1; female terminal: tyco No. 926 884-1
2.1	L
2.2	N
2.3	PE
3	5-pole strip; mating connector (not included in delivery) Molex No. 39-01-4050, female connector Molex No. 39-00-0059
3.1	(+)
3.2	Speed monitoring
3.3	Not assigned
3.4	PWM input
3.5	(-) GND
4	Bleeder connection for pressure relief possible

EC centrifugal fan

forward curved, single inlet

with housing (flange), Gas blower for gas-condensing heating

Connection screen

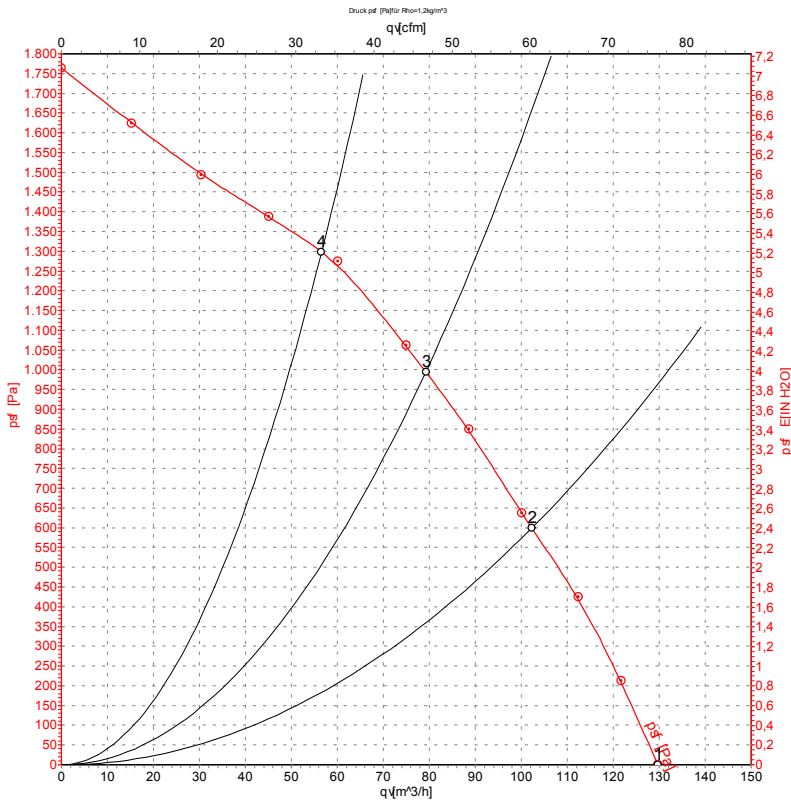


EC centrifugal fan

forward curved, single inlet

with housing (flange), Gas blower for gas-condensing heating

Charts: Air flow 50 Hz



Measurement: LU-109711

Air performance measured as per ISO 5801 Installation Category A. For detailed information on the measuring set-up, please contact ebm-papst. Suction-side noise levels: LwA measured as per ISO 13347 / LpA measured with 1m distance to fan axis. The values given are valid under the measuring conditions mentioned above and may vary according to the actual installation situation. With any deviation from the standard set-up, the specific values have to be checked and reviewed with the unit installed.

Measured values

	U	f	n	P _e	I	qv	P _{sf}
	V	Hz	min ⁻¹	W	A	m ³ /h	Pa
1	230	50	5000	75	0.50	130	0
2	230	50	5520	67	0.47	100	600
3	230	50	5860	61	0.42	80	1000
4	230	50	6165	53	0.36	55	1300