

G1G097-AA05-15

EC centrifugal fan

backward curved, single inlet
with housing (without flange)



G1G097-AA05-15 ebmpapst Datasheet
sales@fansco.com
www.fansco.com

Limited partnership · Headquarters Muldingen
County court Stuttgart · HRA 590344

General partner Elektrobau Muldingen GmbH · Headquarters Muldingen
County court Stuttgart · HRB 590142

Nominal data

Type	G1G097-AA05-15	
Motor	M1G045-BE	
Nominal voltage	VDC	24
Nominal voltage range	VDC	16 .. 28
Type of data definition		fa
Speed (rpm)	min ⁻¹	2650
Power input	W	16
Min. ambient temperature	°C	-25
Max. ambient temperature	°C	60

ml = Max. load · me = Max. efficiency · fa = Running at free air · cs = Customer specs · cu = Customer unit
Subject to alterations



EC centrifugal fan

backward curved, single inlet
with housing (without flange)

Technical features

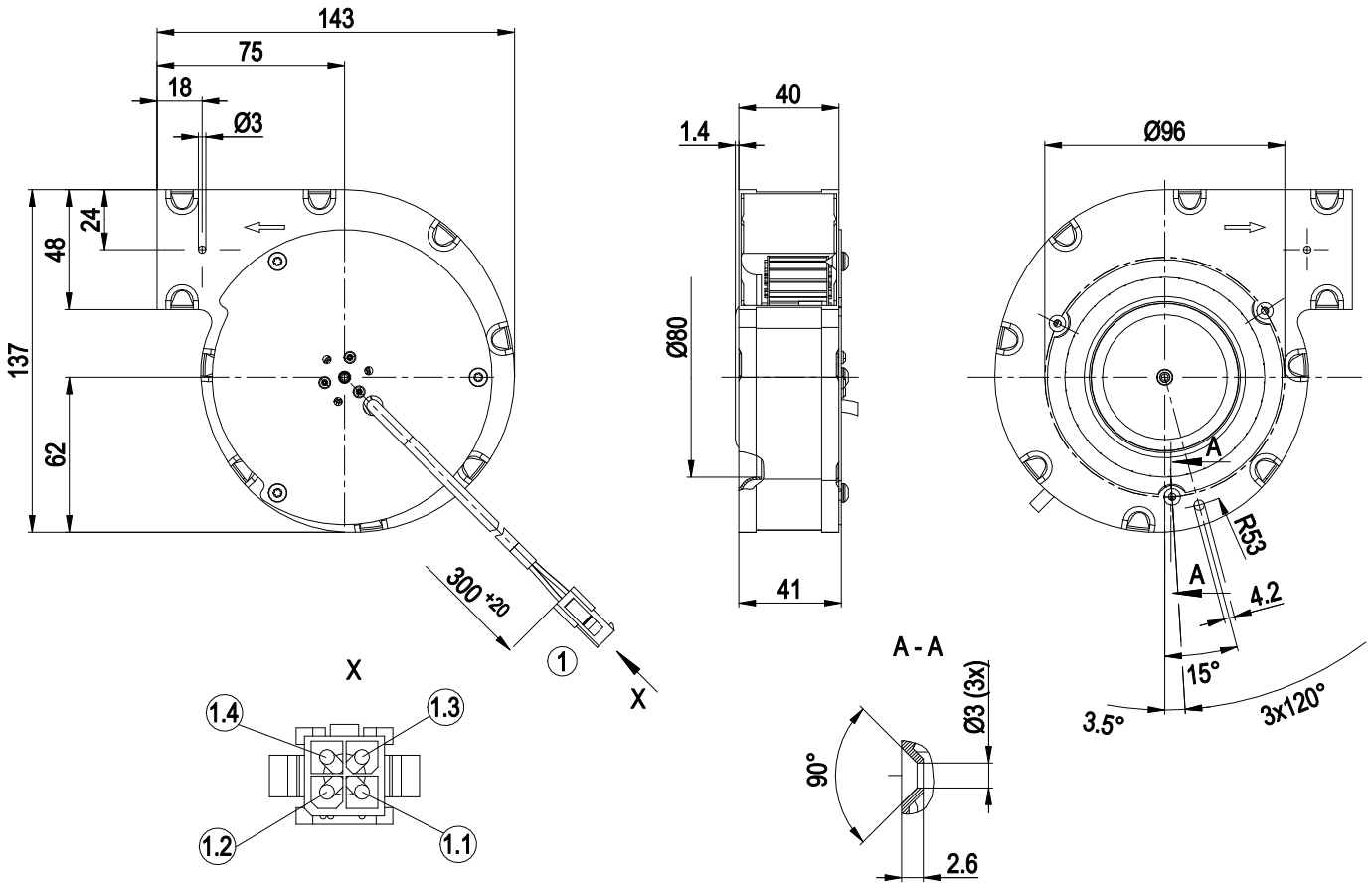
Mass	0.8 kg
Size	97 mm
Surface of rotor	Thick layer passivated
Material of impeller	Sheet steel, galvanised
Housing material	Sheet steel, galvanised
Direction of rotation	Clockwise, seen on rotor
Type of protection	IP 22
Insulation class	"B"
Humidity (F)/environmental protection class (H)	H0 - dry environment
Max. permissible ambient motor temp. (transp./ storage)	+ 80 °C
Min. permissible ambient motor temp. (transp./storage)	- 40 °C
Mounting position	Any
Condensate discharge holes	None
Operation mode	S1
Motor bearing	Ball bearing
Technical features	<ul style="list-style-type: none"> - Tach output - Soft start - Control input 0-10 VDC / PWM
Electrical leads	With plug
Motor protection	Reverse polarity and locked-rotor protection
Cable exit	Axial
Protection class	I (if protective earth is connected by customer at the connection point of the housing)
Product conforming to standard	EN 60950-1
Approval	EAC



EC centrifugal fan

backward curved, single inlet
with housing (without flange)

Product drawing



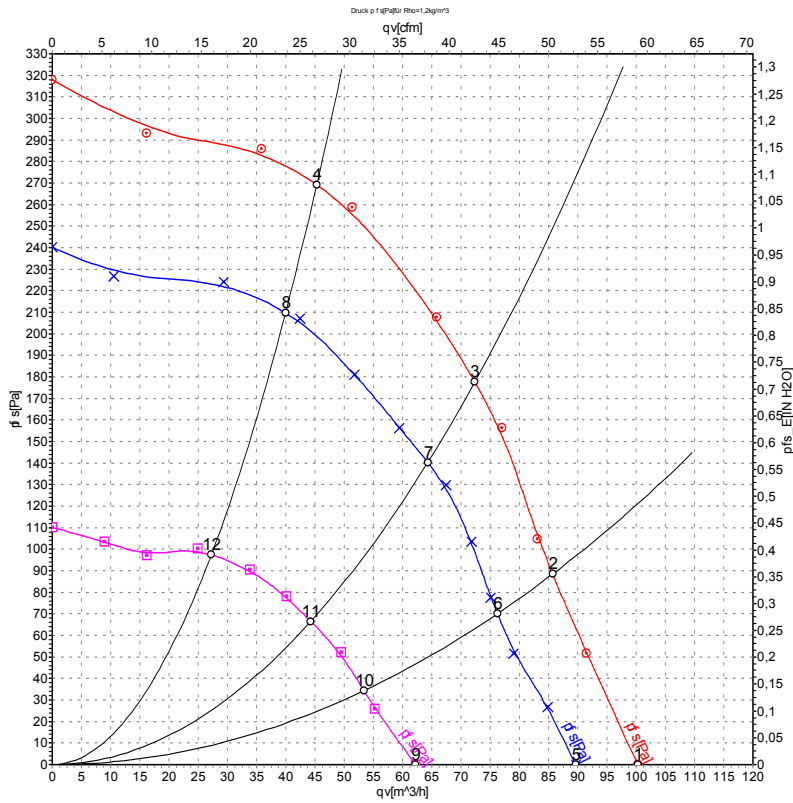
1	Connection line PVC AWG22, connector housing 4-pole Molex 39-01-2046, 4x female connector Molex 39-00-0040
1.1	UN +24 VDC (red)
1.2	GND (blue)
1.3	Tach (white)
1.4	0-10 VDC (yellow)



EC centrifugal fan

backward curved, single inlet
with housing (without flange)

Charts: Air flow



Measurement: LU-53694-1
Measurement: LU-53693-1
Measurement: LU-53695-1

Air performance measured as per ISO 5801 Installation category A. For detailed information on the measuring set-up, please contact ebm-papst. Suction-side noise levels: L_{WA} measured as per ISO 13347 / L_{pA} measured with 1m distance to fan axis. The values given are valid under the measuring conditions mentioned above and may vary according to the actual installation situation. With any deviation from the standard set-up, the specific values have to be checked and reviewed with the unit installed.

Measured values

	U	n	P _{ed}	I	q _v	p _{fs}	q _v	p _{fs}
	V	min ⁻¹	W	A	m ³ /h	Pa	cfm	inH ₂ O
1	28	2825	20	0.78	100	0	60	0.00
2	28	2960	18	0.71	85	88	50	0.35
3	28	3115	16	0.64	70	178	40	0.71
4	28	3410	13	0.52	45	269	25	1.08
5	24	2550	15	0.70	90	0	55	0.00
6	24	2640	13	0.61	75	70	45	0.28
7	24	2755	12	0.55	65	140	40	0.56
8	24	3005	9.4	0.45	40	210	25	0.84
9	16	1820	6.0	0.44	60	0	35	0.00
10	16	1885	5.5	0.41	55	34	30	0.14
11	16	1950	5.0	0.38	45	66	25	0.26
12	16	2085	4.0	0.33	25	98	15	0.39

U = Supply voltage · n = Speed (rpm) · P_{ed} = Power input · I = Current draw · q_v = Air flow · p_{fs} = Pressure increase

