

G1G085-AB05-01

# EC centrifugal fan with housing (small flange)

forward curved, single inlet



G1G085-AB05-01 ebmpapst Datasheet FansCo  
sales@fansco.com  
www.fansco.com

## Nominal data

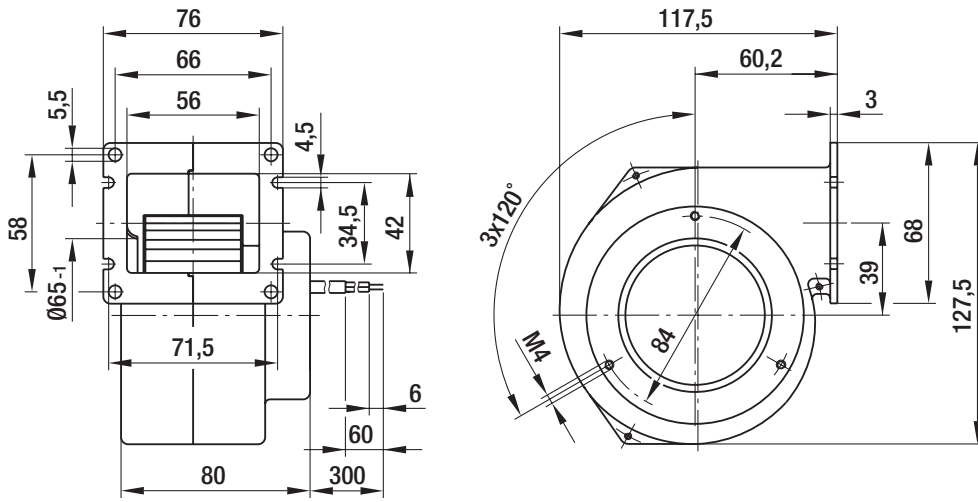
Type	G1G085-AB05-01	
Motor	M1G045-BE	
Nominal voltage	[VDC]	24
Type of data definition		rfa
Speed	[min <sup>-1</sup> ]	2850
Power input	[W]	14
Current draw	[A]	-
Max. ambient temperature	[°C]	60
Air flow	[m <sup>3</sup> /h]	-
Back pressure	[Pa]	-

ml = max. load · me = max. efficiency · rfa = running at free air · cs = customer specs · cu = customer unit  
Subject to alterations

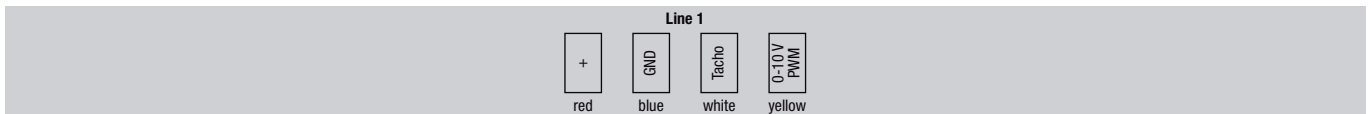
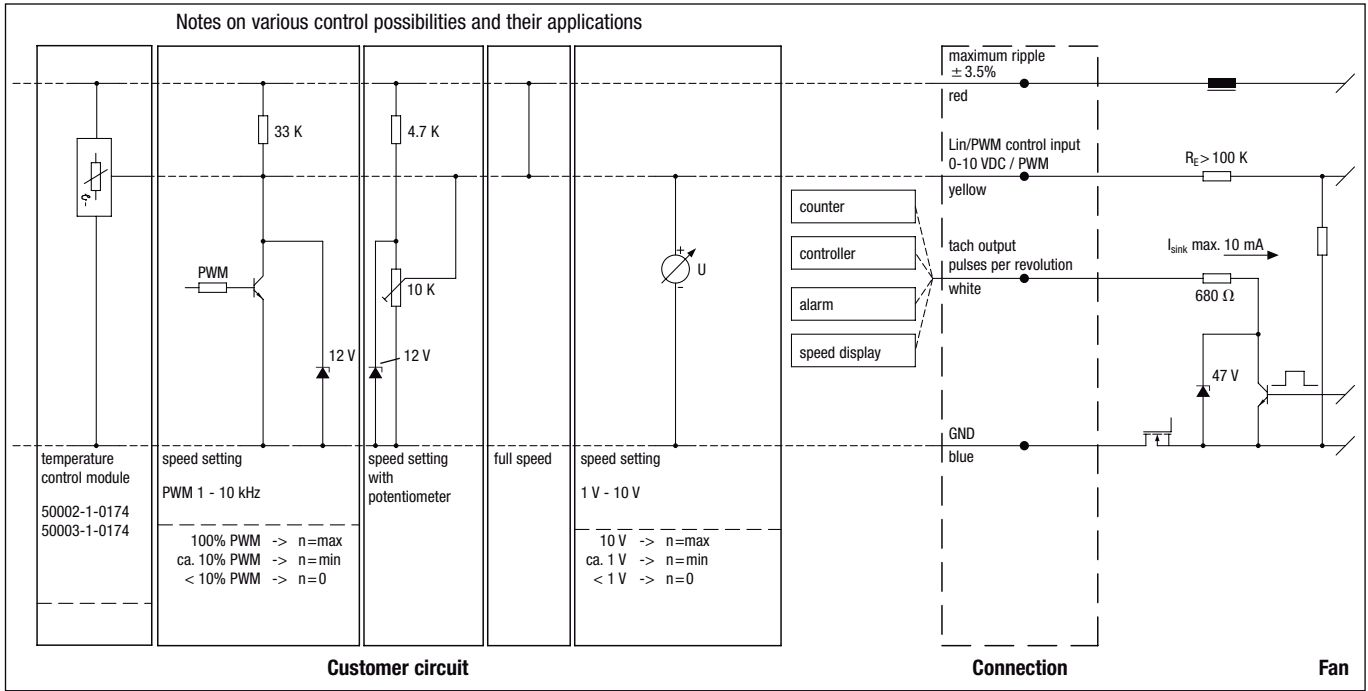
## Technical features

<b>Leakage current</b>	<= 0,25 mA
<b>General description</b>	Integrated electronics
<b>Size</b>	85 mm
<b>Operation mode</b>	Continuous operation (S1)
<b>Mounting position</b>	Mounting position: Any; condensate discharge holes: none
<b>Direction of rotation</b>	Clockwise, seen on rotor
<b>Insulation class</b>	"B"
<b>Cable exit</b>	Axial
<b>Bearing-motor</b>	Ball bearing
<b>Mass</b>	0.8 kg
<b>Material of electronics housing</b>	Rotor: Galvanized
<b>Material of impeller</b>	Hot-dip galvanized sheet steel
<b>Motor protection</b>	Reverse polarity and locked-rotor protection
<b>Type of protection</b>	IP 22
<b>Protection class</b>	I
<b>Technical features</b>	Control input 0-10 VDC / PWM, tach output, polarity and locked rotor protection

## Product drawing

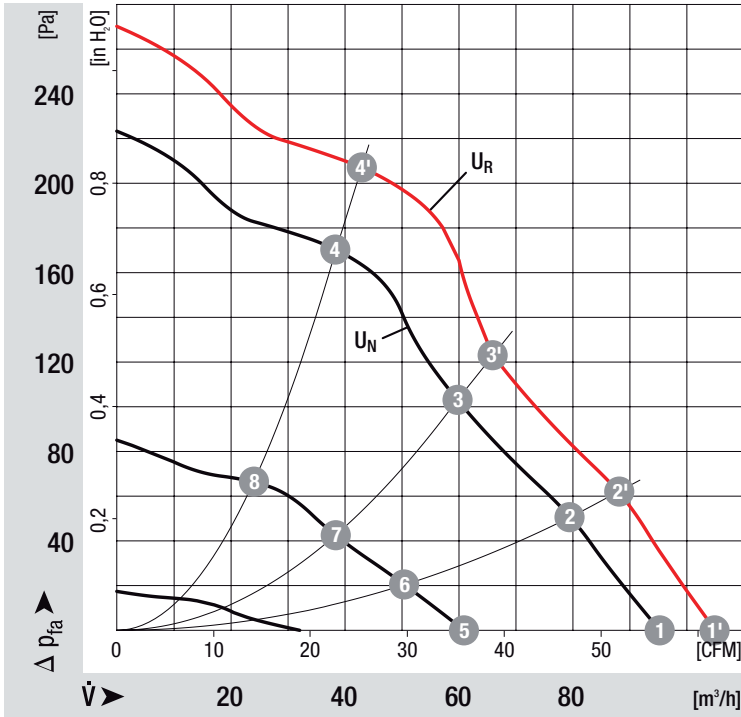


## Connection screen



Line	Signal	Colour	Assignment / function	Line	Signal	Colour	Assignment / function
1	+	red	maximum ripple $\pm 3.5\%$	1	Tacho	white	Tach output: pulses per revolution
	GND	blue	GND		0-10 V / PWM	yellow	Control input

Charts: Air flow



	n	P <sub>1</sub>	$\eta_{TL}$
	[min <sup>-1</sup> ]	[W]	[%]
1'	3180	19	
2'	3300	16	28
3'	3500	15	32
4'	3800	12	37
1	2850	14	
2	3000	12	28
3	3180	11	32
4	3400	9	37
5	1890	5	
6	1970	4	25
7	2070	4	30
8	2170	3	33