

D4E146-LV55-01

# AC centrifugal fan

forward curved, dual inlet  
with housing (flange)



D4E146-LV55-01 ebmpapst Datasheet  
sales@fansco.com  
www.fansco.com

## Nominal data

|                               |                   |         |         |
|-------------------------------|-------------------|---------|---------|
| Type                          | D4E146-LV55-01    |         |         |
| Motor                         | M4E068-CF         |         |         |
| Phase                         |                   | 1~      | 1~      |
| Nominal voltage               | VAC               | 230     | 230     |
| Frequency                     | Hz                | 50      | 60      |
| Type of data definition       |                   | fa      | fa      |
| Valid for approval / standard |                   | CE      | CE      |
| Speed                         | min <sup>-1</sup> | 780     | 710     |
| Power input                   | W                 | 65      | 68      |
| Current draw                  | A                 | 0.29    | 0.30    |
| Motor capacitor               | µF                | 2       | 2       |
| Capacitor voltage             | VDB               | 400     | 400     |
| Capacitor standard            |                   | P2 (CE) | P2 (CE) |
| Min. back pressure            | Pa                | 0       | 0       |
| Min. ambient temperature      | °C                | -25     | -25     |
| Max. ambient temperature      | °C                | 50      | 40      |
| Starting current              | A                 | 0.33    | 0.33    |

ml = Max. load · me = Max. efficiency · fa = Running at free air · cs = Customer specs · cu = Customer unit  
Subject to alterations



# AC centrifugal fan

forward curved, dual inlet  
with housing (flange)

## Technical features

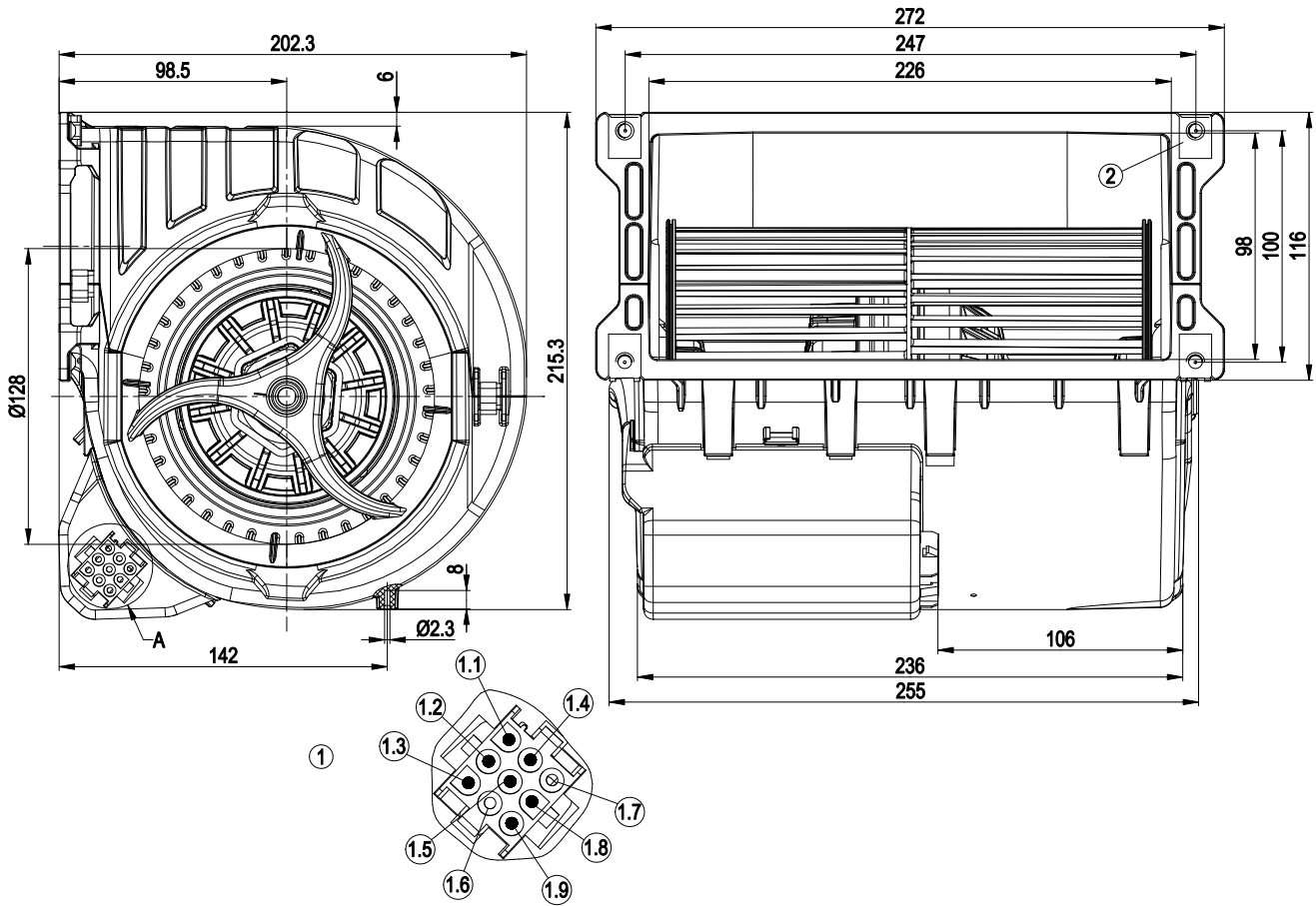
|   |  |
|---|--|
| <b>Mass</b>   | 2.55 kg  |
| <b>Size</b>   | 146 mm   |
| <b>Surface of rotor</b>   | Uncoated   |
| <b>Material of terminal box</b>   | PP plastic   |
| <b>Material of impeller</b>   | PA plastic   |
| <b>Housing material</b>   | PP plastic   |
| <b>Motor suspension</b>   | Motor anti-vibration mounted on both sides                                   |
| <b>Direction of rotation</b>  | Counter-clockwise, seen on rotor   |
| <b>Type of protection</b>   | IP 44  |
| <b>Insulation class</b>   | "F"  |
| <b>Humidity class</b>   | F0   |
| <b>Max. permissible ambient motor temp. (transp./ storage)</b>            | + 80 °C  |
| <b>Min. permissible ambient motor temp. (transp./storage)</b>             | - 40 °C  |
| <b>Mounting position</b>  | Any  |
| <b>Condensate discharge holes</b>   | None   |
| <b>Operation mode</b>   | S1   |
| <b>Motor bearing</b>  | Ball bearing   |
| <b>Speed steps</b>  | 5  |
| <b>Touch current acc. IEC 60990 (measuring network Fig. 4, TN system)</b> | < 0.75 mA  |
| <b>Electrical leads</b>   | Via terminal box, integrated capacitor connected via terminal box; With plug |
| <b>Motor protection</b>   | Thermal overload protector (TOP) wired internally                            |
| <b>Cable exit</b>   | Axial  |
| <b>Protection class</b>   | I (if protective earth is connected by customer)                             |
| <b>Product conforming to standard</b>                                     | EN 60335-1; CE   |



# AC centrifugal fan

forward curved, dual inlet  
with housing (flange)

## Product drawing



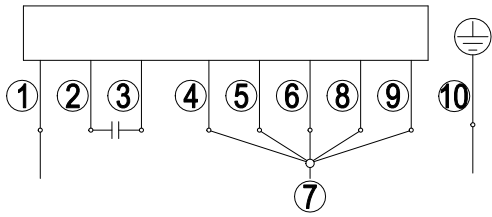
|     |   |
|-----|---|
| 1   | Connector housing AMP Universal Mate-N-Lok  |
| 1.1 | Step 1 (min.)   |
| 1.2 | Step 2  |
| 1.3 | Step 3  |
| 1.4 | Step 4  |
| 1.5 | Step 5 (max.)   |
| 1.6 | -   |
| 1.7 | -   |
| 1.8 | N   |
| 1.9 | Protective earth  |
| 2   | 4x sheet metal nut for thread EN ISO 1478-ST4.8 (min. screw length 14.5 mm plus thickness of mounting material) |



# AC centrifugal fan

forward curved, dual inlet  
with housing (flange)

## Connection screen



Note: Fast speed (step V); slow speed (step I)

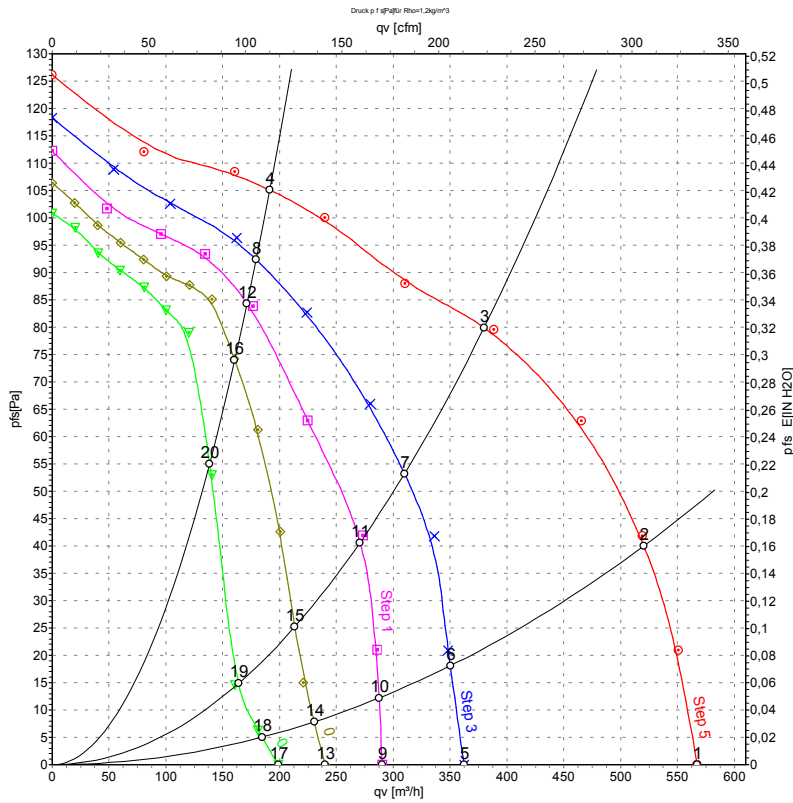
|    |              |   |                |   |               |
|----|--------------|---|----------------|---|---------------|
| 1  | = N = blue   | 2 | brown          | 3 | yellow        |
| 4  | Step I white | 5 | Step II red    | 6 | Step III grey |
| 7  | L1           | 8 | Step IV orange | 9 | Step V black  |
| 10 | PE           |   |                |   |               |



# AC centrifugal fan

forward curved, dual inlet  
with housing (flange)

## Charts: Air flow 50 Hz



Measurement: LU-58986  
Measurement: LU-58988  
Measurement: LU-58990  
Measurement: LU-58992  
Measurement: LU-58994

Air performance measured as per ISO 5801 Installation category A. For detailed information on the measuring set-up, please contact ebmpapst. Suction-side noise levels: LWA measured as per ISO 13347 / LpA measured with 1m distance to fan axis. The values given are valid under the measuring conditions mentioned above and may vary according to the actual installation situation. With any deviation from the standard set-up, the specific values have to be checked and reviewed with the unit installed.

## Measured values

|    | Stage | U   | f  | n                 | P <sub>e</sub> | I    | qv                | P <sub>fs</sub> |
|----|-------|-----|----|-------------------|----------------|------|-------------------|-----------------|
|    |       | V   | Hz | min <sup>-1</sup> | W              | A    | m <sup>3</sup> /h | Pa              |
| 1  | 5     | 230 | 50 | 780               | 65             | 0.29 | 565               | 0               |
| 2  | 5     | 230 | 50 | 1055              | 57             | 0.25 | 520               | 40              |
| 3  | 5     | 230 | 50 | 1270              | 47             | 0.20 | 380               | 80              |
| 4  | 5     | 230 | 50 | 1380              | 39             | 0.17 | 190               | 105             |
| 5  | 4     | 230 | 50 | 530               | 53             | 0.23 | 360               | 0               |
| 6  | 4     | 230 | 50 | 740               | 50             | 0.23 | 350               | 18              |
| 7  | 4     | 230 | 50 | 1055              | 43             | 0.20 | 310               | 53              |
| 8  | 4     | 230 | 50 | 1310              | 33             | 0.15 | 180               | 93              |
| 9  | 3     | 230 | 50 | 430               | 48             | 0.22 | 290               | 0               |
| 10 | 3     | 230 | 50 | 595               | 47             | 0.21 | 285               | 14              |
| 11 | 3     | 230 | 50 | 930               | 43             | 0.20 | 270               | 43              |
| 12 | 3     | 230 | 50 | 1240              | 32             | 0.15 | 170               | 85              |
| 13 | 2     | 230 | 50 | 365               | 45             | 0.21 | 240               | 0               |
| 14 | 2     | 230 | 50 | 480               | 45             | 0.20 | 230               | 7               |
| 15 | 2     | 230 | 50 | 720               | 42             | 0.19 | 215               | 25              |
| 16 | 2     | 230 | 50 | 1185              | 32             | 0.15 | 160               | 74              |
| 17 | 1     | 230 | 50 | 300               | 43             | 0.20 | 200               | 0               |
| 18 | 1     | 230 | 50 | 405               | 43             | 0.19 | 185               | 5               |
| 19 | 1     | 230 | 50 | 570               | 42             | 0.19 | 165               | 13              |
| 20 | 1     | 230 | 50 | 1105              | 32             | 0.16 | 140               | 56              |

U = Supply voltage · f = Frequency · n = Speed · P<sub>e</sub> = Power input · I = Current draw · qv = Air flow · p<sub>fs</sub> = Pressure increase

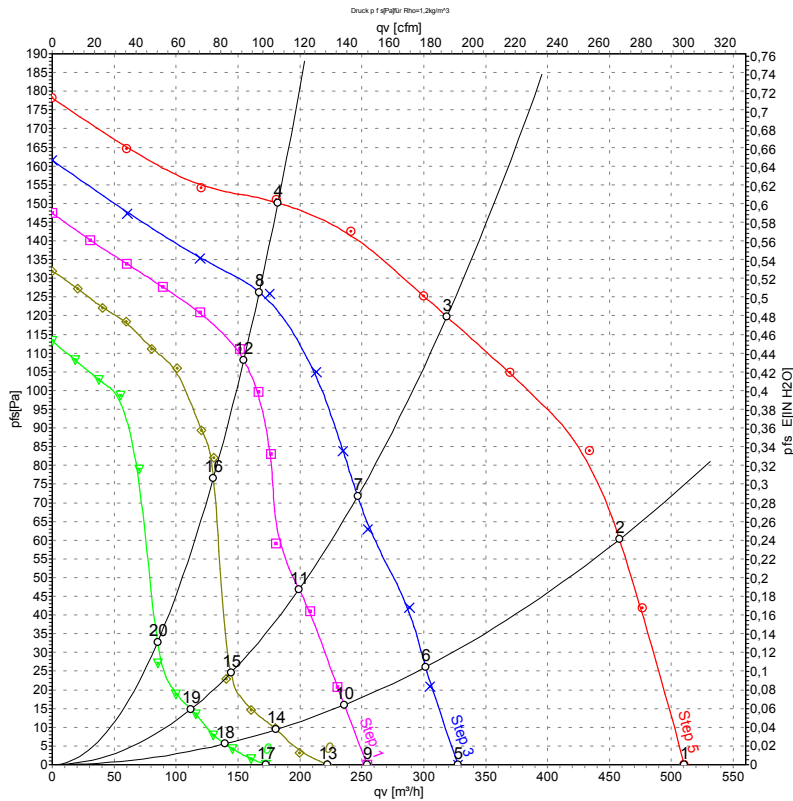


# AC centrifugal fan

forward curved, dual inlet

with housing (flange)

## Charts: Air flow 60 Hz



Measurement: LU-58987  
 Measurement: LU-58989  
 Measurement: LU-58991  
 Measurement: LU-58993  
 Measurement: LU-58995

Air performance measured as per ISO 5801 Installation category A. For detailed information on the measuring set-up, please contact ebmpapst. Suction-side noise levels: LWA measured as per ISO 13347 / LpA measured with 1m distance to fan axis. The values given are valid under the measuring conditions mentioned above and may vary according to the actual installation situation. With any deviation from the standard set-up, the specific values have to be checked and reviewed with the unit installed.

## Measured values

|    | Stage | U   | f  | n                 | P <sub>e</sub> | I    | qv                | P <sub>fs</sub> |
|----|-------|-----|----|-------------------|----------------|------|-------------------|-----------------|
|    |       | V   | Hz | min <sup>-1</sup> | W              | A    | m <sup>3</sup> /h | Pa              |
| 1  | 5     | 230 | 60 | 710               | 68             | 0.30 | 510               | 0               |
| 2  | 5     | 230 | 60 | 1160              | 63             | 0.28 | 460               | 60              |
| 3  | 5     | 230 | 60 | 1505              | 53             | 0.24 | 320               | 120             |
| 4  | 5     | 230 | 60 | 1655              | 44             | 0.21 | 180               | 150             |
| 5  | 4     | 230 | 60 | 480               | 52             | 0.24 | 330               | 0               |
| 6  | 4     | 230 | 60 | 740               | 51             | 0.24 | 300               | 26              |
| 7  | 4     | 230 | 60 | 1180              | 46             | 0.22 | 245               | 72              |
| 8  | 4     | 230 | 60 | 1525              | 35             | 0.19 | 165               | 127             |
| 9  | 3     | 230 | 60 | 385               | 47             | 0.22 | 255               | 0               |
| 10 | 3     | 230 | 60 | 580               | 46             | 0.22 | 235               | 16              |
| 11 | 3     | 230 | 60 | 940               | 44             | 0.21 | 200               | 47              |
| 12 | 3     | 230 | 60 | 1430              | 34             | 0.18 | 155               | 109             |
| 13 | 2     | 230 | 60 | 310               | 43             | 0.20 | 220               | 0               |
| 14 | 2     | 230 | 60 | 480               | 42             | 0.20 | 180               | 10              |
| 15 | 2     | 230 | 60 | 675               | 42             | 0.20 | 145               | 21              |
| 16 | 2     | 230 | 60 | 1290              | 34             | 0.18 | 130               | 82              |
| 17 | 1     | 230 | 60 | 260               | 40             | 0.19 | 170               | 0               |
| 18 | 1     | 230 | 60 | 400               | 40             | 0.19 | 140               | 6               |
| 19 | 1     | 230 | 60 | 555               | 39             | 0.19 | 110               | 15              |
| 20 | 1     | 230 | 60 | 805               | 38             | 0.19 | 85                | 28              |

U = Supply voltage · f = Frequency · n = Speed · P<sub>e</sub> = Power input · I = Current draw · qv = Air flow · p<sub>fs</sub> = Pressure increase

