

AC centrifugal fan

forward curved, dual inlet

with housing (flange)

D4E146-LV21-34 ebmpapst Datasheet

sales@fansco.com

www.fansco.com

Limited partnership · Headquarters Muldingen
County court Stuttgart · HRA 590344

General partner Elektrobau Muldingen GmbH · Headquarters Muldingen
County court Stuttgart · HRB 590142

Nominal data

Type	D4E146-LV21-34		
Motor	M4E068-CF		
Phase		1~	1~
Nominal voltage	VAC	115	115
Frequency	Hz	60	60
Type of data definition		ml	ml
Valid for approval / standard		CE	UL 2111
Speed	min ⁻¹	1050	1050
Power input	W	67	75
Current draw	A	0.60	0.64
Motor capacitor	µF	8	8
Capacitor voltage	VDB	250	250
Capacitor standard		P2 (CE)	UL
Min. back pressure	Pa	40	40
Min. ambient temperature	°C	-25	-25
Max. ambient temperature	°C	40	40

ml = Max. load · me = Max. efficiency · fa = Running at free air · cs = Customer specs · cu = Customer unit
Subject to alterations



AC centrifugal fan

forward curved, dual inlet
with housing (flange)

Technical features

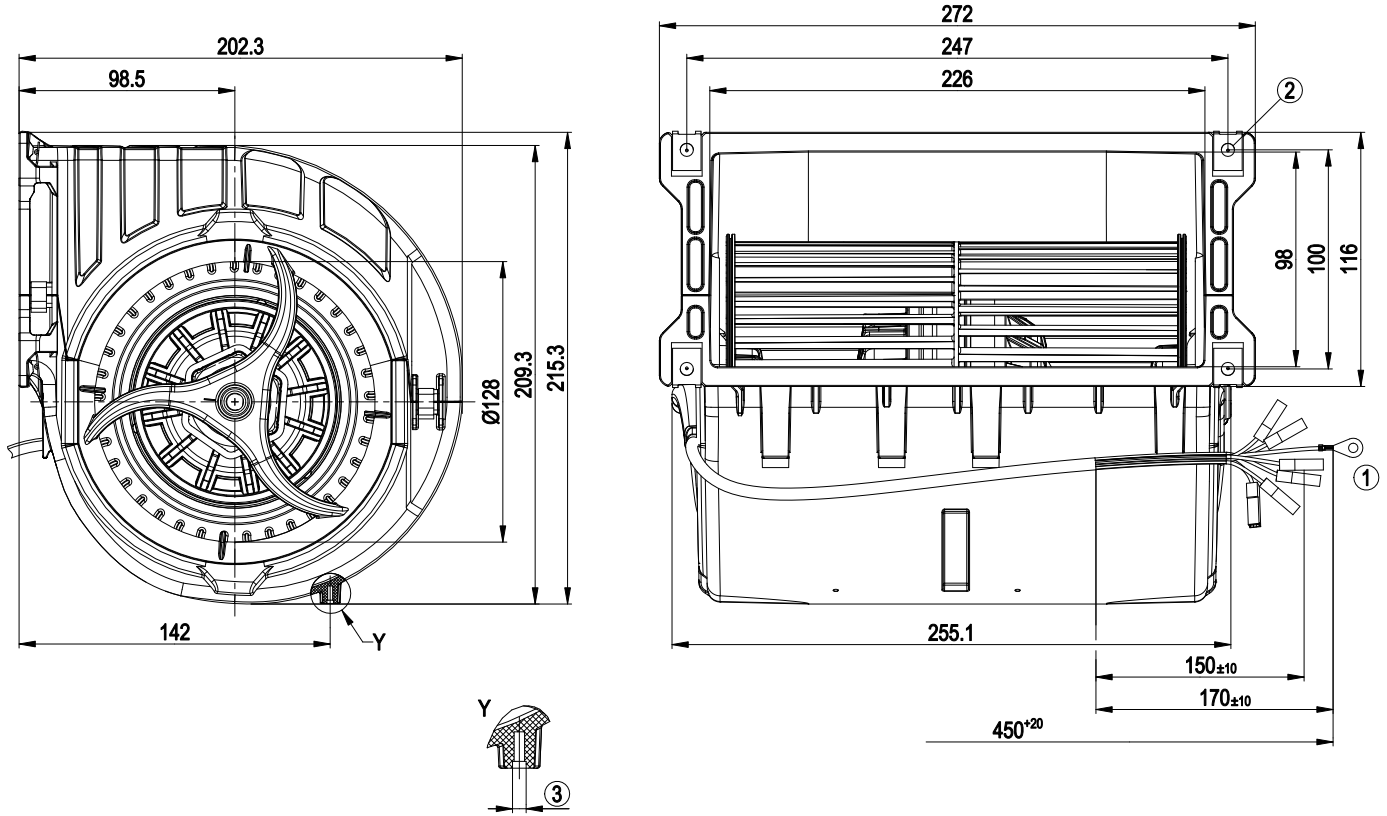
Mass	2.7 kg
Size	146 mm
Material of terminal box	PP plastic
Material of impeller	PA plastic
Housing material	PP plastic
Motor suspension	Motor mounted vibration-free on both sides
Direction of rotation	Counter-clockwise, seen on rotor
Type of protection	IP 44; Depending on installation and position
Insulation class	"F"
Humidity class	F0
Max. permissible ambient motor temp. (transp./ storage)	+ 80 °C
Min. permissible ambient motor temp. (transp./storage)	- 40 °C
Mounting position	Any
Condensate discharge holes	None
Operation mode	S1
Motor bearing	Ball bearing
Speed steps	3
Touch current acc. IEC 60990 (measuring network Fig. 4, TN system)	< 0.75 mA
Motor protection	Thermal overload protector (TOP) wired internally
Cable exit	Axial
Protection class	I (if protective earth is connected by customer)
Product conforming to standard	EN 60335-1; CE
Approval	UL 1004-1; CSA C22.2 Nr.100



AC centrifugal fan

forward curved, dual inlet
with housing (flange)

Product drawing



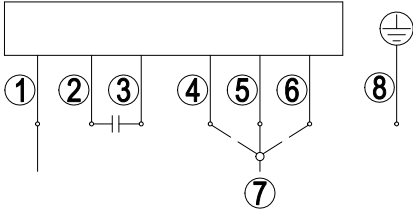
- | | |
|---|--|
| 1 | Connection line PFA AWG22, 6x threaded pin AMP 160303-2 and 6x insulating sleeve Stocko 461709W. 1x connection line PFA AWG20, 1x AMP contact stud 160101-2. |
| 2 | 4x sheet metal nut for thread EN ISO 1478-ST 4.8 (min. screw length 14.5 mm plus thickness of mounting material) |
| 3 | For M3 screw threads, depth of screw max. 8 mm |



AC centrifugal fan

forward curved, dual inlet
with housing (flange)

Connection screen

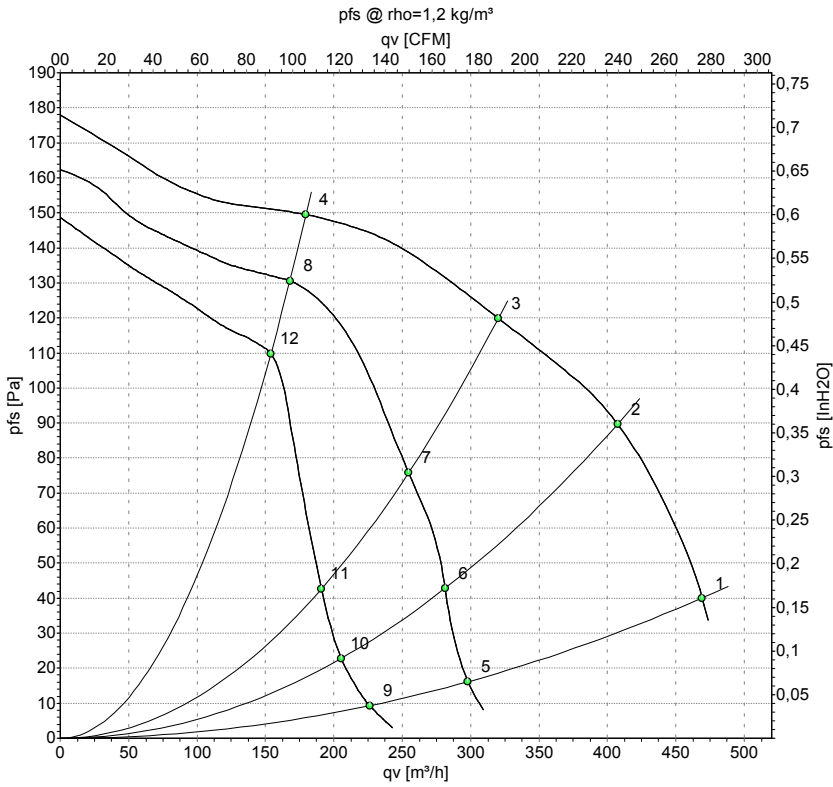


Note: Fast speed (step III); slow speed (step I)

1	blue (N)	2	brown	3	yellow
4	Step I grey	5	Step II orange	6	Step III black
7	L1	8	PE (green/yellow)		



Charts: Air flow 60 Hz



Measurement: LU-153371
 Measurement: LU-153374
 Measurement: LU-153376

Air performance measured as per ISO 5801 Installation category A. For detailed information on the measuring set-up, please contact ebmpapst. Suction-side noise levels: LwA measured as per ISO 13347 / LpA measured with 1m distance to fan axis. The values given are valid under the measuring conditions mentioned above and may vary according to the actual installation situation. With any deviation from the standard set-up, the specific values have to be checked and reviewed with the unit installed.

Measured values

	U	f	n	P _e	I	qv	P _{fs}
	V	Hz	min ⁻¹	W	A	m ³ /h	Pa
1	115	60	1050	67	0.60	470	40
2	115	60	1360	59	0.54	405	90
3	115	60	1515	53	0.49	320	120
4	115	60	1665	45	0.42	180	150
5	115	60	660	54	0.50	300	16
6	115	60	930	52	0.48	280	43
7	115	60	1205	48	0.46	255	76
8	115	60	1560	36	0.38	170	131
9	115	60	510	48	0.45	225	9
10	115	60	690	48	0.45	205	22
11	115	60	900	46	0.44	190	43
12	115	60	1440	35	0.37	155	110

U = Supply voltage · f = Frequency · n = Speed · P_e = Power input · I = Current draw · qv = Air flow · p_{fs} = Pressure increase

