

AC centrifugal fan

forward curved, dual inlet

with housing (flange)

D4E133-DL01-L5 ebmpapst Datasheet

sales@fansco.com

www.fansco.com

Limited partnership · Headquarters Muldingen
County court Stuttgart · HRA 590344

General partner Elektrobau Muldingen GmbH · Headquarters Muldingen
County court Stuttgart · HRB 590142

Nominal data

| | | | |
|-------------------------------|-----------------------|---------|---------|
| Type | D4E133-DL01-L5 | | |
| Motor | M4E068-CF | | |
| Phase | | 1~ | 1~ |
| Nominal voltage | VAC | 230 | 230 |
| Frequency | Hz | 50 | 60 |
| Type of data definition | | fa | fa |
| Valid for approval / standard | | CE | CE |
| Speed | min ⁻¹ | 1250 | 1350 |
| Power input | W | 70 | 93 |
| Current draw | A | 0.31 | 0.41 |
| Motor capacitor | µF | 2 | 2 |
| Capacitor voltage | VDB | 420 | 420 |
| Capacitor standard | | P0 (CE) | P0 (CE) |
| Min. back pressure | Pa | 0 | 0 |
| Max. ambient temperature | °C | 60 | 60 |

ml = max. load · me = max. efficiency · fa = running at free air · cs = customer specs · cu = customer unit
Subject to alterations



AC centrifugal fan

forward curved, dual inlet
with housing (flange)

Technical features

| | |
|---|---|
| Mass | 3.5 kg |
| Size | 133 mm |
| Material of impeller | Plastic PA6, fibreglass-reinforced |
| Housing material | Sheet steel, hot-galvanised |
| Direction of rotation | Clockwise, seen on rotor |
| Type of protection | IP 44; Depending on installation and position |
| Insulation class | "B" |
| Humidity class | F0 |
| Max. permissible ambient motor temp. (transp./ storage) | + 80 °C |
| Min. permissible ambient motor temp. (transp./storage) | - 40 °C |
| Mounting position | Any |
| Condensate discharge holes | None |
| Operation mode | S1 |
| Motor bearing | Ball bearing |
| Touch current acc. IEC 60990 (measuring network Fig. 4, TN system) | < 0.75 mA |
| Motor protection | Thermal overload protector (TOP) wired internally |
| Cable exit | Variable |
| Protection class | I (if protective earth is connected by customer) |
| Product conforming to standard | CE |

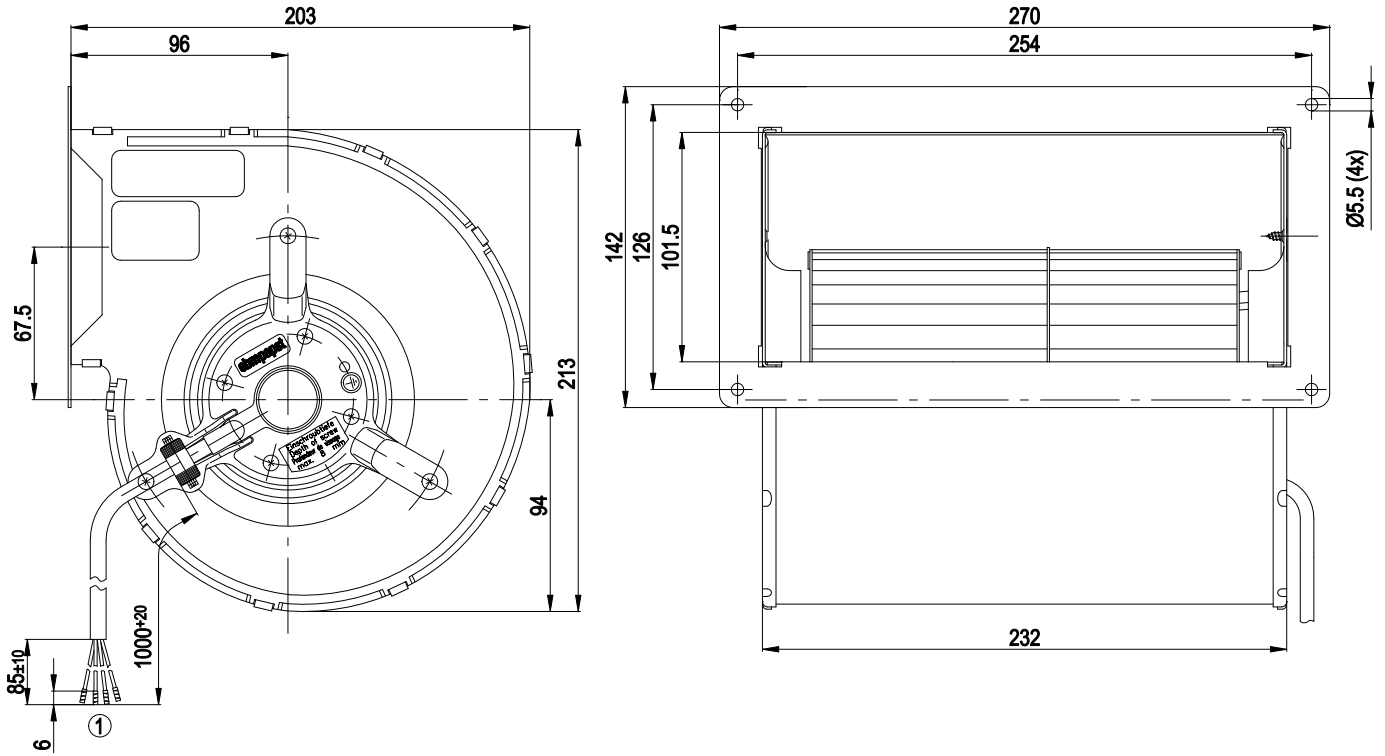


D4E133-DL01-L5

AC centrifugal fan

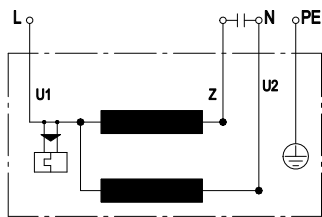
forward curved, dual inlet
with housing (flange)

Product drawing



1 Connection line PVC 4G 0.5mm², 4x brass lead tips crimped

Connection screen



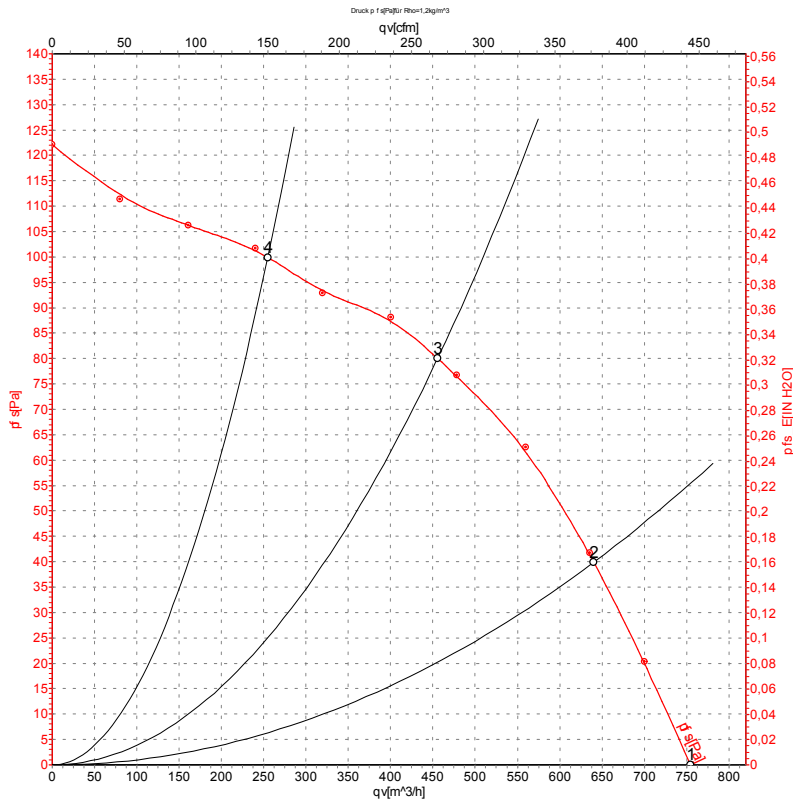
| | | | | | |
|----|--------------|---|-------|----|-------|
| U1 | blue | Z | brown | U2 | black |
| PE | green/yellow | | | | |



AC centrifugal fan

forward curved, dual inlet
with housing (flange)

Charts: Air flow 50 Hz



Measurement: LU-104753

Air performance measured as per ISO 5801 Installation category A. For detailed information on the measuring set-up, please contact ebm-papst. Suction-side noise levels: LwA measured as per ISO 13347 / LpA measured with 1m distance to fan axis. The values given are valid under the measuring conditions mentioned above and may vary according to the actual installation situation. With any deviation from the standard set-up, the specific values have to be checked and reviewed with the unit installed.

Measured values

| | U | f | n | P _e | I | qv | P _{fs} |
|---|-----|----|-------------------|----------------|------|-------------------|-----------------|
| | V | Hz | min ⁻¹ | W | A | m ³ /h | Pa |
| 1 | 230 | 50 | 1250 | 70 | 0.31 | 750 | 0 |
| 2 | 230 | 50 | 1310 | 64 | 0.28 | 640 | 40 |
| 3 | 230 | 50 | 1370 | 57 | 0.25 | 455 | 80 |
| 4 | 230 | 50 | 1415 | 52 | 0.23 | 255 | 100 |

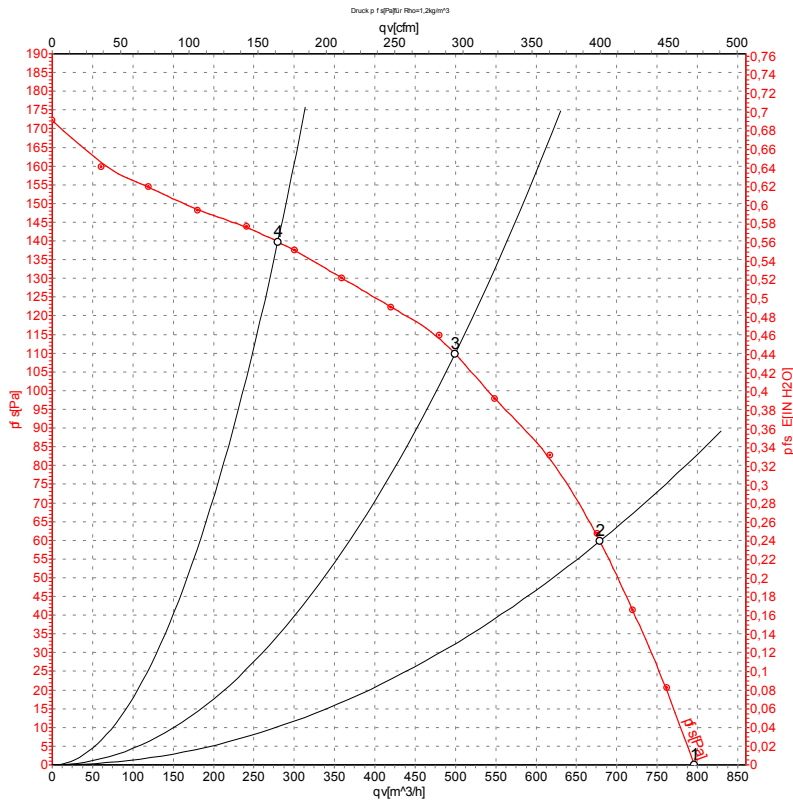
U = Supply voltage · f = Frequency · n = Speed · P_e = Power input · I = Current draw · qv = Air flow · P_{fs} = Pressure increase



AC centrifugal fan

forward curved, dual inlet
with housing (flange)

Charts: Air flow 60 Hz



Measurement: LU-104798

Air performance measured as per ISO 5801 Installation category A. For detailed information on the measuring set-up, please contact ebm-papst. Suction-side noise levels: L_{wA} measured as per ISO 13347 / L_{pA} measured with 1m distance to fan axis. The values given are valid under the measuring conditions mentioned above and may vary according to the actual installation situation. With any deviation from the standard set-up, the specific values have to be checked and reviewed with the unit installed.

Measured values

| | U | f | n | P _e | I | qv | P _{fs} |
|---|-----|----|-------------------|----------------|------|------|-----------------|
| | V | Hz | min ⁻¹ | W | A | m³/h | Pa |
| 1 | 230 | 60 | 1350 | 93 | 0.41 | 790 | 0 |
| 2 | 230 | 60 | 1460 | 86 | 0.38 | 680 | 60 |
| 3 | 230 | 60 | 1575 | 78 | 0.34 | 500 | 110 |
| 4 | 230 | 60 | 1655 | 70 | 0.31 | 280 | 140 |

U = Supply voltage · f = Frequency · n = Speed · P_e = Power input · I = Current draw · qv = Air flow · P_{fs} = Pressure increase

