

D3G283-AB32-11

EC centrifugal fan

forward curved, dual inlet
with housing (large flange)



D3G283-AB32-11 ebmpapst Datasheet
sales@fansco.com
www.fansco.com

Limited partnership · Headquarters Muldingen
County court Stuttgart · HRA 590344

General partner Elektrobau Muldingen GmbH · Headquarters Muldingen
County court Stuttgart · HRB 590142

Nominal data

Type	D3G283-AB32-11	
Motor	M3G112-GA	
Phase		1~
Nominal voltage	VAC	230
Nominal voltage range	VAC	200 .. 277
Frequency	Hz	50/60
Type of data definition		ml
State		prelim.
Speed (rpm)	min ⁻¹	1030
Power input	W	750
Current draw	A	3.4
Min. back pressure	Pa	150
Min. ambient temperature	°C	-25
Max. ambient temperature	°C	40

ml = Max. load · me = Max. efficiency · fa = Running at free air · cs = Customer specs · cu = Customer unit
Subject to alterations

Data according to ErP directive

		Actual	Request 2015		
01 Overall efficiency η_{es}	%	53.7	33.8	09 Power input P_{ed}	kW
02 Measurement category		A		09 Air flow q_v	m ³ /h
03 Efficiency category		Static		09 Pressure increase p_{fs}	Pa
04 Efficiency grade N		63.9	44	10 Speed (rpm) n	min ⁻¹
05 Variable speed drive		Yes		11 Specific ratio*	1.00

Data definition with optimum efficiency.
The ErP data is determined using a motor-impeller combination in a standardised measurement configuration.

* Specific ratio = $1 + p_s / 100\,000\text{ Pa}$

LU-107476



EC centrifugal fan

forward curved, dual inlet
with housing (large flange)

Technical features

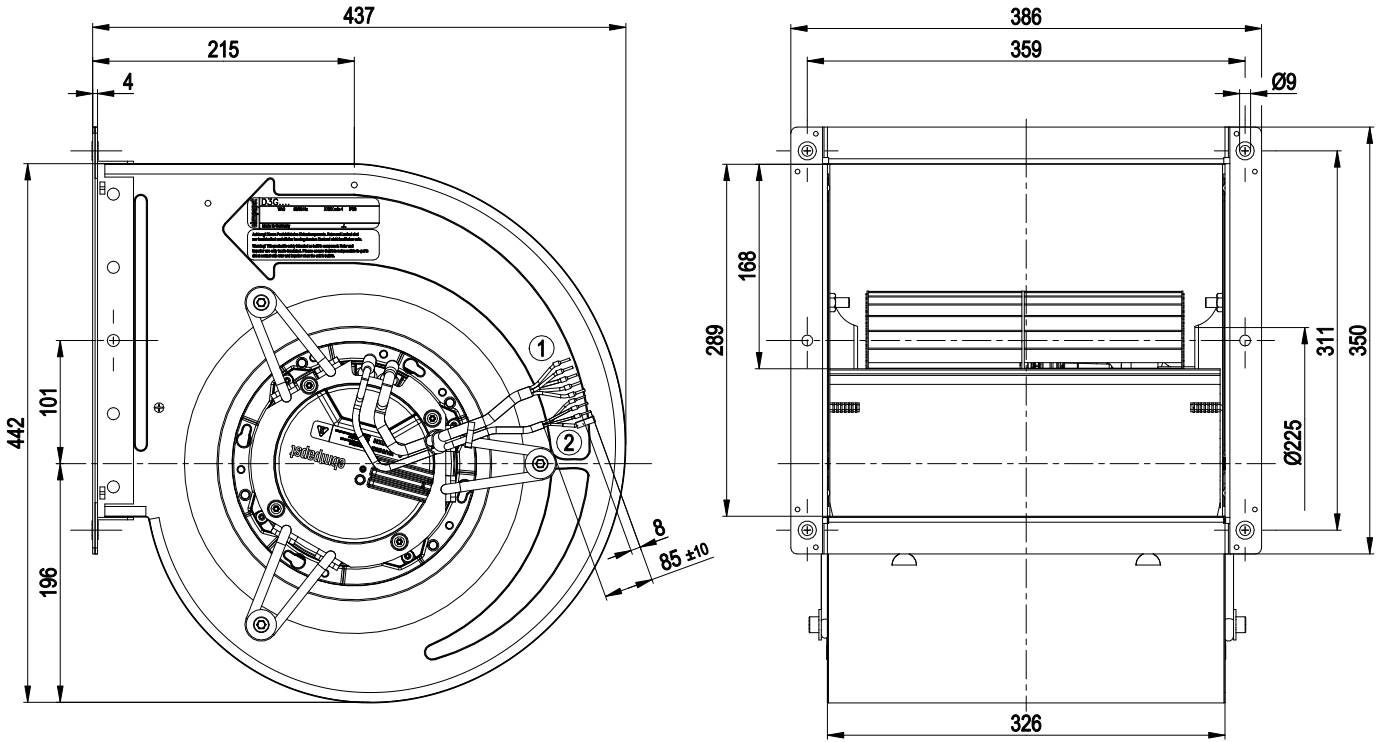
Mass	18.7 kg
Size	283 mm
Surface of rotor	Coated in black
Material of electronics housing	Die-cast aluminum
Material of impeller	Sheet steel, galvanised
Housing material	Sheet steel, galvanised
Motor suspension	Motor anti-vibration mounted on one side via brackets
Direction of rotation	Clockwise, seen on rotor
Type of protection	IP 54
Insulation class	"B"
Humidity (F)/environmental protection class (H)	F4-1
Max. permissible ambient motor temp. (transp./ storage)	+80 °C
Min. permissible ambient motor temp. (transp./storage)	-40 °C
Mounting position	Shaft horizontal
Condensate discharge holes	None
Operation mode	S1
Motor bearing	Ball bearing
Technical features	<ul style="list-style-type: none"> - Output 10 VDC, max. 10 mA - Alarm relay - Motor current limit - PFC, active - Soft start - Control input 0-10 VDC Control interface with SELV potential safely disconnected from the mains - Over-temperature protected electronics / motor - Line undervoltage / phase failure detection
EMC interference immunity	Acc. to EN 61000-6-2 (industrial environment)
EMC harmonics	Acc. to EN 61000-3-2/3
EMC interference emission	Acc. to EN 61000-6-4 (industrial environment)
Touch current acc. IEC 60990 (measuring network Fig. 4, TN system)	<= 3.5 mA
Motor protection	Thermal overload protector (TOP) wired internally
Cable exit	Variable
Protection class	I (if protective earth is connected by customer)
Product conforming to standard	CE
Approval	EAC



EC centrifugal fan

forward curved, dual inlet
with housing (large flange)

Product drawing



Cable length from electronics enclosure: 800+20 mm

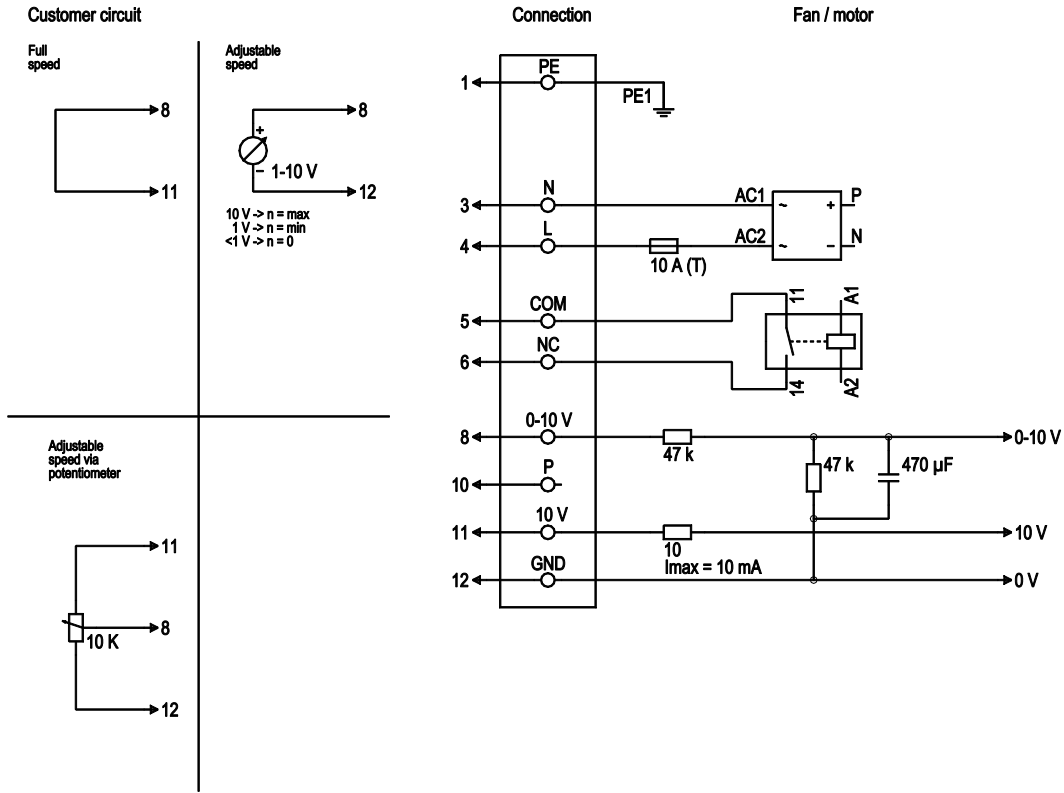
- | | |
|---|--|
| 1 | Connection line PVC AWG18, 5x crimped core-end sleeve |
| 2 | Connection line PVC AWG22, 3 x crimped core-end sleeve |



EC centrifugal fan

forward curved, dual inlet
with housing (large flange)

Connection screen



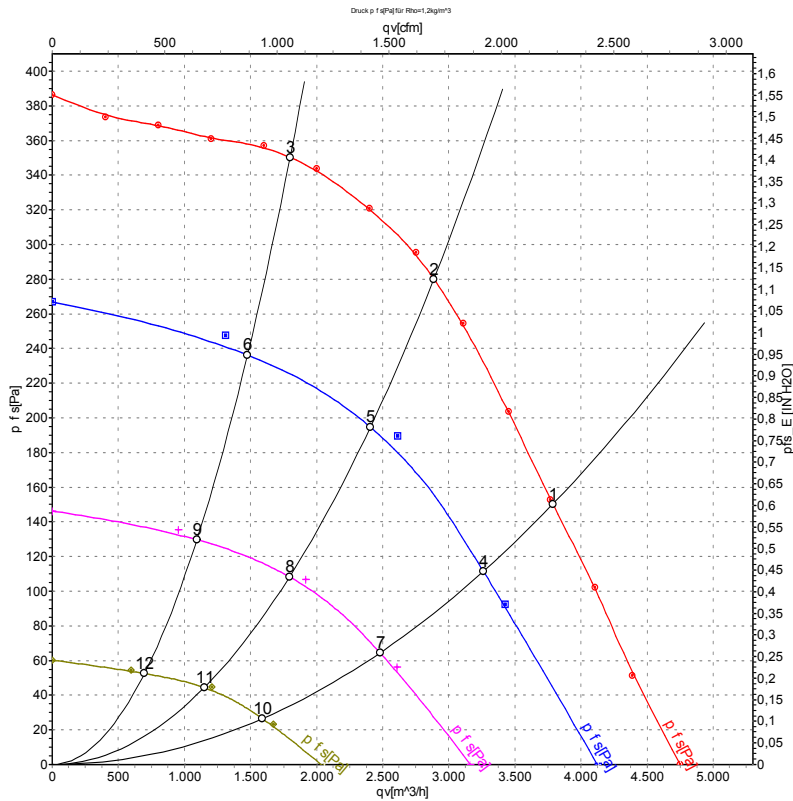
No.	Conn.	Designation	Colour	Function / assignment
1	1	PE	green/yellow	Ground wire
1	3	N	blue	Supply voltage, neutral conductor, 50/60 Hz
1	4	L	black	Supply voltage, phase, 50/60 Hz
1	5	COM	white 1	Floating status message contact, normally closed connection (2 A, max. 250 VAC, min. 10 mA, AC1)
1	6	NC	white 2	Floating status message contact, normally closed connection
2	8	0-10 V	yellow	Control input, set value 0-10 VDC, impedance 100 kΩ, SELV
2	10	P	orange	not assigned
2	11	10 VDC	red	Voltage output 10 VDC (+/-3 %), max. 10 mA, supply voltage for external devices (e.g. potentiometer), SELV
2	12	GND	blue	Reference mass for control interface, SELV



EC centrifugal fan

forward curved, dual inlet
with housing (large flange)

Charts: Air flow 50 Hz



Measurement: LU-107476-1
Measurement: LU-107597-1
Measurement: LU-107598-1
Measurement: LU-107599-1

Air performance measured as per ISO 5801 Installation category A. For detailed information on the measuring set-up, please contact ebm-papst. Suction-side noise levels: L_{wA} measured as per ISO 13347 / L_{pA} measured with 1m distance to fan axis. The values given are valid under the measuring conditions mentioned above and may vary according to the actual installation situation. With any deviation from the standard set-up, the specific values have to be checked and reviewed with the unit installed.

Measured values

	U	f	n	P _{ed}	I	LpA _{in}	LwA _{in}	LwA _{out}	q _v	P _{fs}	q _v	P _{fs}
	V	Hz	min ⁻¹	W	A	dB(A)	dB(A)	dB(A)	m ³ /h	Pa	cfm	inH ₂ O
1	230	50	1030	750	3.40	72	82	85	3785	150	2230	0.60
2	230	50	1100	574	2.61	68	78	83	2885	280	1700	1.12
3	230	50	1160	378	1.76	64	74	80	1800	350	1060	1.41
4	230	50	880	458	2.11	68	78	80	3260	112	1920	0.45
5	230	50	925	326	1.57	63	74	75	2405	199	1415	0.80
6	230	50	955	209	1.22	59	69	71	1475	240	870	0.96
7	230	50	675	209	0.99	61	71	74	2480	66	1460	0.26
8	230	50	695	150	0.74	57	67	70	1795	111	1055	0.45
9	230	50	715	102	0.57	51	61	64	1095	131	645	0.53
10	230	50	435	68	0.41	48	59	60	1590	27	935	0.11
11	230	50	445	52	0.32	43	53	54	1150	46	675	0.18
12	230	50	460	40	0.24	40	50	50	695	53	410	0.21

U = Supply voltage · f = Frequency · n = Speed (rpm) · P_{ed} = Power input · I = Current draw · LpA_{in} = Sound pressure level inlet side · LwA_{in} = Sound power level inlet side · LwA_{out} = Sound power level outlet side
q_v = Air flow · p_{fs} = Pressure increase

