

EC centrifugal fan

forward curved, dual inlet
with housing (flange)

D3G146-LV05-38 ebmpapst Datasheet
sales@fansco.com
www.fansco.com

Limited partnership · Headquarters Muldingen
County court Stuttgart · HRA 590344

General partner Elektrobau Muldingen GmbH · Headquarters Muldingen
County court Stuttgart · HRB 590142

Nominal data

Type	D3G146-LV05-38	
Motor	M3G055-DF	
Phase		1~
Nominal voltage	VAC	230
Nominal voltage range	VAC	200 .. 240
Frequency	Hz	50/60
Type of data definition		fa
Speed (rpm)	min ⁻¹	1560
Power input	W	170
Current draw	A	0.8
Min. back pressure	Pa	0
Min. ambient temperature	°C	-25
Max. ambient temperature	°C	60

ml = Max. load · me = Max. efficiency · fa = Running at free air · cs = Customer specs · cu = Customer unit
Subject to alterations

Data according to ErP directive

		Actual	Request 2015		
01 Overall efficiency η_{es}	%	35.8	32.8	09 Power input P_{ed}	kW 0.17
02 Measurement category		A		09 Air flow q_v	m ³ /h 745
03 Efficiency category		Static		09 Pressure increase p_{fs}	Pa 265
04 Efficiency grade N		47	44	10 Speed (rpm) n	min ⁻¹ 2250
05 Variable speed drive		Yes		11 Specific ratio [*]	1.00

Data definition with optimum efficiency.
The ErP data is determined using a motor-impeller combination in a standardised measurement configuration.

^{*} Specific ratio = $1 + p_{fs} / 100\,000\text{ Pa}$

LU-166926



D3G146-LV05-38

EC centrifugal fan

forward curved, dual inlet
with housing (flange)

Technical features

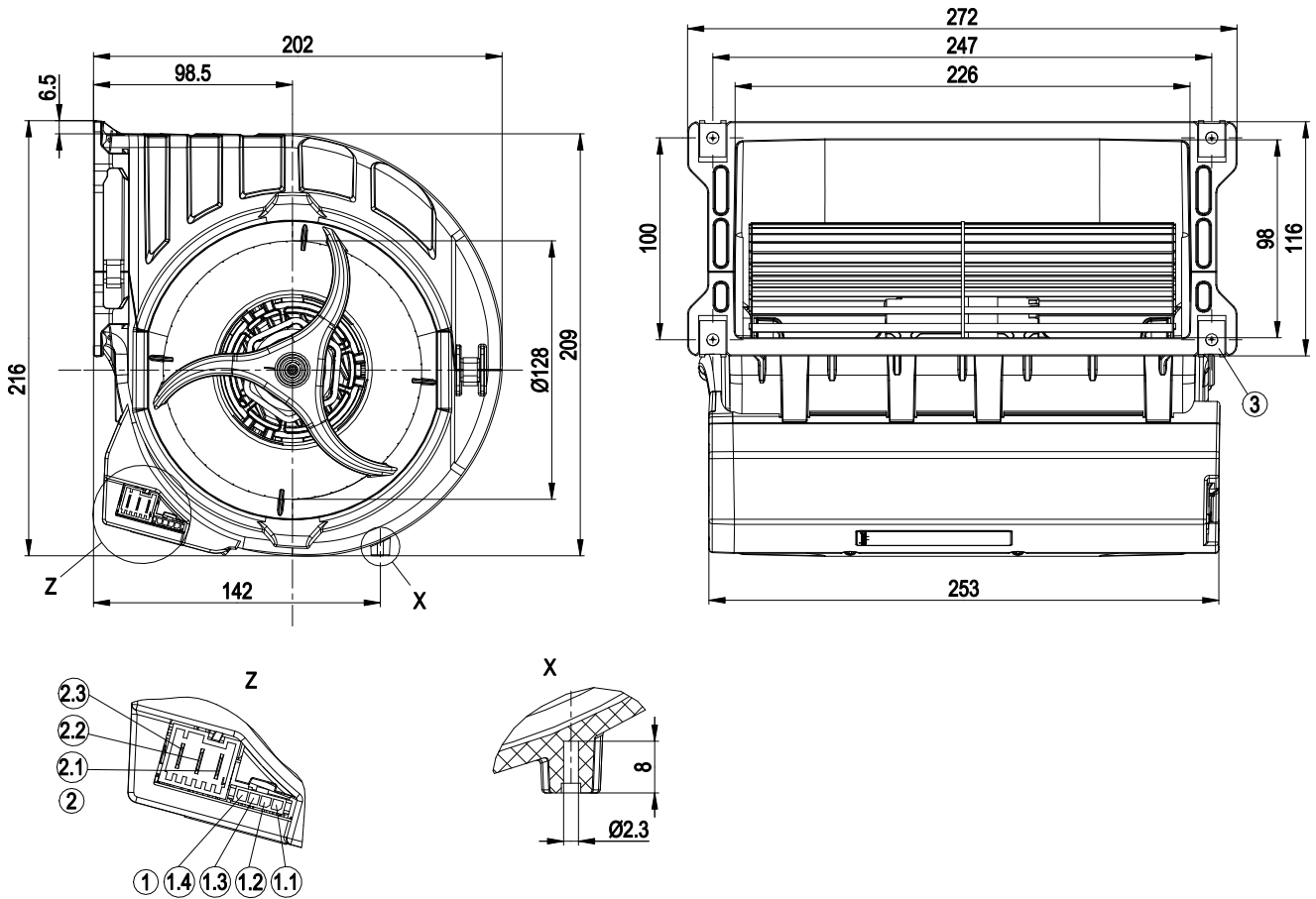
Mass	2.8 kg
Size	146 mm
Surface of rotor	Galvanised
Material of electronics housing	PP plastic
Material of impeller	Sheet steel, galvanised
Housing material	PP plastic
Motor suspension	Motor mounted anti-vibration on both sides
Direction of rotation	Counter-clockwise, seen on rotor
Type of protection	Motor IP 00, electronics IP 20
Insulation class	"F"
Humidity (F)/environmental protection class (H)	F0
Max. permissible ambient motor temp. (transp./ storage)	+ 80 °C
Min. permissible ambient motor temp. (transp./storage)	- 40 °C
Mounting position	Any
Cooling bore / aperture	On rotor and stator sides
Operation mode	S1
Motor bearing	Ball bearing
Technical features	<ul style="list-style-type: none"> - Output 10 VDC, max. 10 mA - Tach output - Motor current limit - PFC, active - Soft start - Control input 0-10 VDC / PWM - Control interface with SELV potential safely disconnected from the mains - Over-temperature protected motor
Touch current acc. IEC 60990 (measuring network Fig. 4, TN system)	<= 3.5 mA
Electrical leads	With plug
Motor protection	Thermal overload protector (TOP) wired internally
Cable exit	Variable
Protection class	I (if protective earth is connected by customer)
Product conforming to standard	EN 60335-1; CE



EC centrifugal fan

forward curved, dual inlet
with housing (flange)

Product drawing



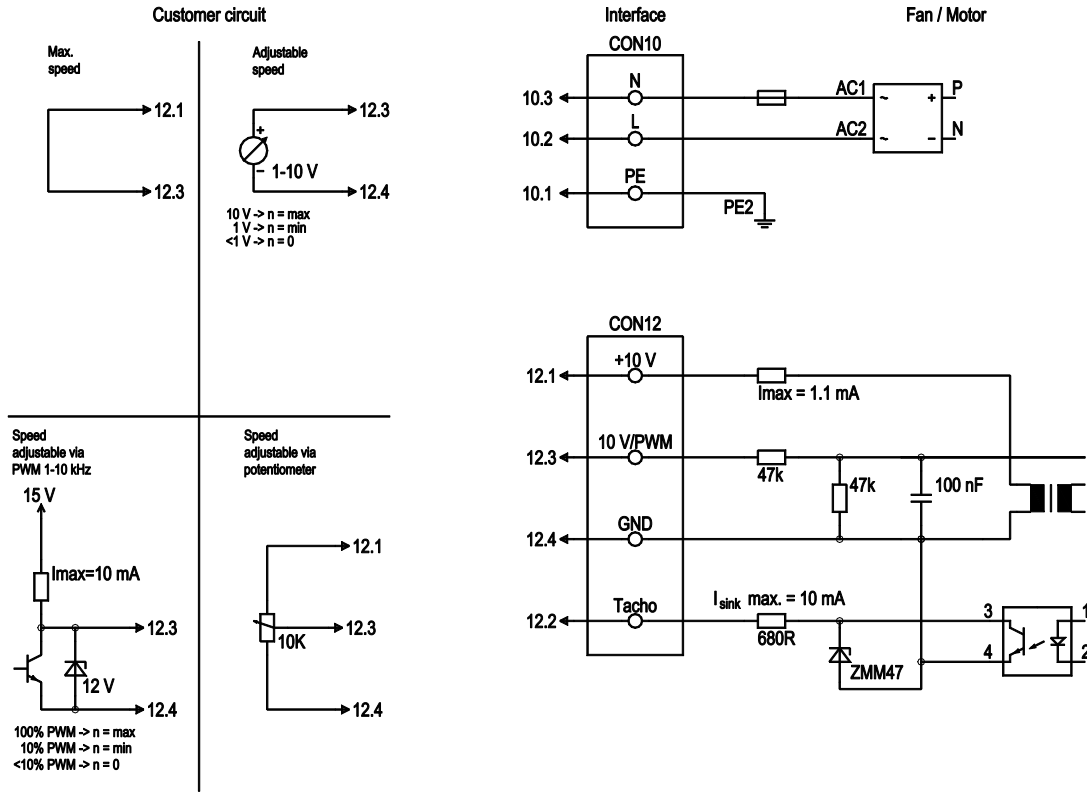
1	Strip Molex Micro Fit 3.0 04365 00400 (pluggable with 04364 50400)
1.1	10 V
1.2	Tacho
1.3	0-10 V lin. / PWM
1.4	GND
2	Connector Lumberg 3642 03 K01 (pluggable with 3626 03 K01)
2.1	PE
2.2	L
2.3	N
3	4x sheet metal nut for thread EN ISO 1478-ST4.8 (min. screw length 14.5 mm plus thickness of mounting material)



EC centrifugal fan

forward curved, dual inlet
with housing (flange)

Connection screen



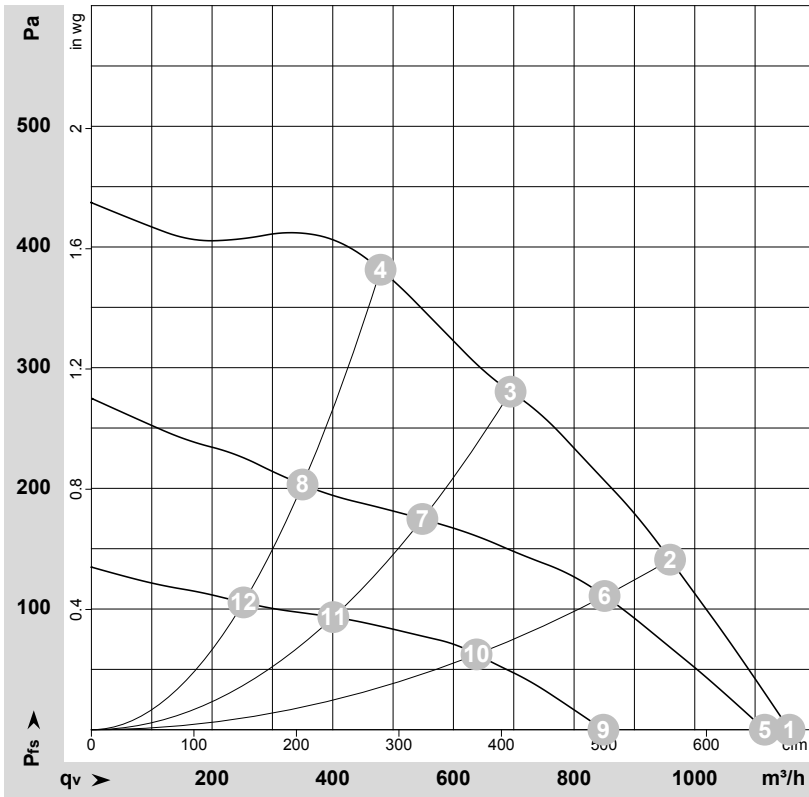
No.	Conn.	Designation	Colour	Function / assignment
CON10	10.1	PE	green/yellow	Protective earth
CON10	10.2	L	black	Power supply 230 VAC, 50-60 Hz or 330 VDC, see type plate for voltage range
CON10	10.3	N	blue	Neutral conductor
CON12	12.1	10 V / max. 1,1 mA	red	Voltage output 10 V, 1.1 mA, electrically isolated, not short-circuit-proof
CON12	12.2	Tach	white	Tach output: Open collector, 1 pulse per revolution, electrically isolated, Isink max = 10 mA
CON12	12.3	0-10 V	yellow	Control input 0-10 V or PWM, electrically isolated
CON12	12.4	GND	blue	GND connection of control interface



EC centrifugal fan

forward curved, dual inlet
with housing (flange)

Charts: Air flow 50 Hz



$\rho = 1.15 \text{ kg/m}^3 \pm 2 \%$

Measurement: LU-166926-1
Measurement: LU-167047-1
Measurement: LU-167049-1

Air performance measured as per ISO 5801 Installation category A. For detailed information on the measuring set-up, please contact ebm-papst. Suction-side noise levels: LwA measured as per ISO 13347 / LpA measured with 1m distance to fan axis. The values given are valid under the measuring conditions mentioned above and may vary according to the actual installation situation. With any deviation from the standard set-up, the specific values have to be checked and reviewed with the unit installed.

Measured values

	U	f	n	P _{ed}	I	LpA _{in}	LwA _{in}	q _v	P _{fs}	q _v	P _{fs}
	V	Hz	min ⁻¹	W	A	dB(A)	dB(A)	m ³ /h	Pa	cfm	inH2O
1	230	50	1560	170	0.80	63	74	1155	0	680	0.00
2	230	50	1885	170	0.80	61	72	960	140	565	0.56
3	230	50	2300	170	0.80	63	73	695	280	410	1.12
4	230	50	2660	169	0.78	66	76	480	380	280	1.53
5	230	50	1510	153	0.71			1115	0	655	0.00
6	230	50	1675	119	0.58			850	111	500	0.45
7	230	50	1850	88	0.46			550	175	325	0.70
8	230	50	1960	69	0.39			350	203	205	0.81
9	230	50	1165	67	0.39			850	0	500	0.00
10	230	50	1265	51	0.34			640	62	375	0.25
11	230	50	1365	37	0.29			400	93	235	0.37
12	230	50	1420	30	0.27			250	105	150	0.42

U = Supply voltage · f = Frequency · n = Speed (rpm) · P_{ed} = Power input · I = Current draw · LpA_{in} = Sound pressure level inlet side · LwA_{in} = Sound power level inlet side · q_v = Air flow
P_{fs} = Pressure increase

