

D3G146-LU09-31

EC centrifugal fan

forward-curved, dual-intake

with housing (flange)

ebm-papst Mulfingen GmbH & Co. KG

Bachmühle 2 · D-74673 Mulfingen

Phone +49 7938 81-0

Fax +49 7938 81-110

info1@de.fansco.com

www.fansco.com

Limited partnership · Headquarters Mulfingen

Amtsgericht (court of registration) Stuttgart · HRA 590344

General partner Elektrobau Mulfingen GmbH · Headquarters Mulfingen

Amtsgericht (court of registration) Stuttgart · HRB 590142

Nominal data

| | | |
|--------------------------|-------------------|------------|
| Type | D3G146-LU09-31 | |
| Motor | M3G055-CF | |
| Phase | | 1~ |
| Nominal voltage | VAC | 230 |
| Nominal voltage range | VAC | 200 .. 240 |
| Frequency | Hz | 50/60 |
| Method of obtaining data | | ml |
| Speed (rpm) | min ⁻¹ | 1320 |
| Power consumption | W | 100 |
| Current draw | A | 0.5 |
| Min. back pressure | Pa | 0 |
| Min. back pressure | in. wg | 0 |
| Min. ambient temperature | °C | -25 |
| Max. ambient temperature | °C | 55 |

ml = Max. load · me = Max. efficiency · fa = Free air · cs = Customer specification · ce = Customer equipment
Subject to change



EC centrifugal fan

forward-curved, dual-intake

with housing (flange)

Technical description

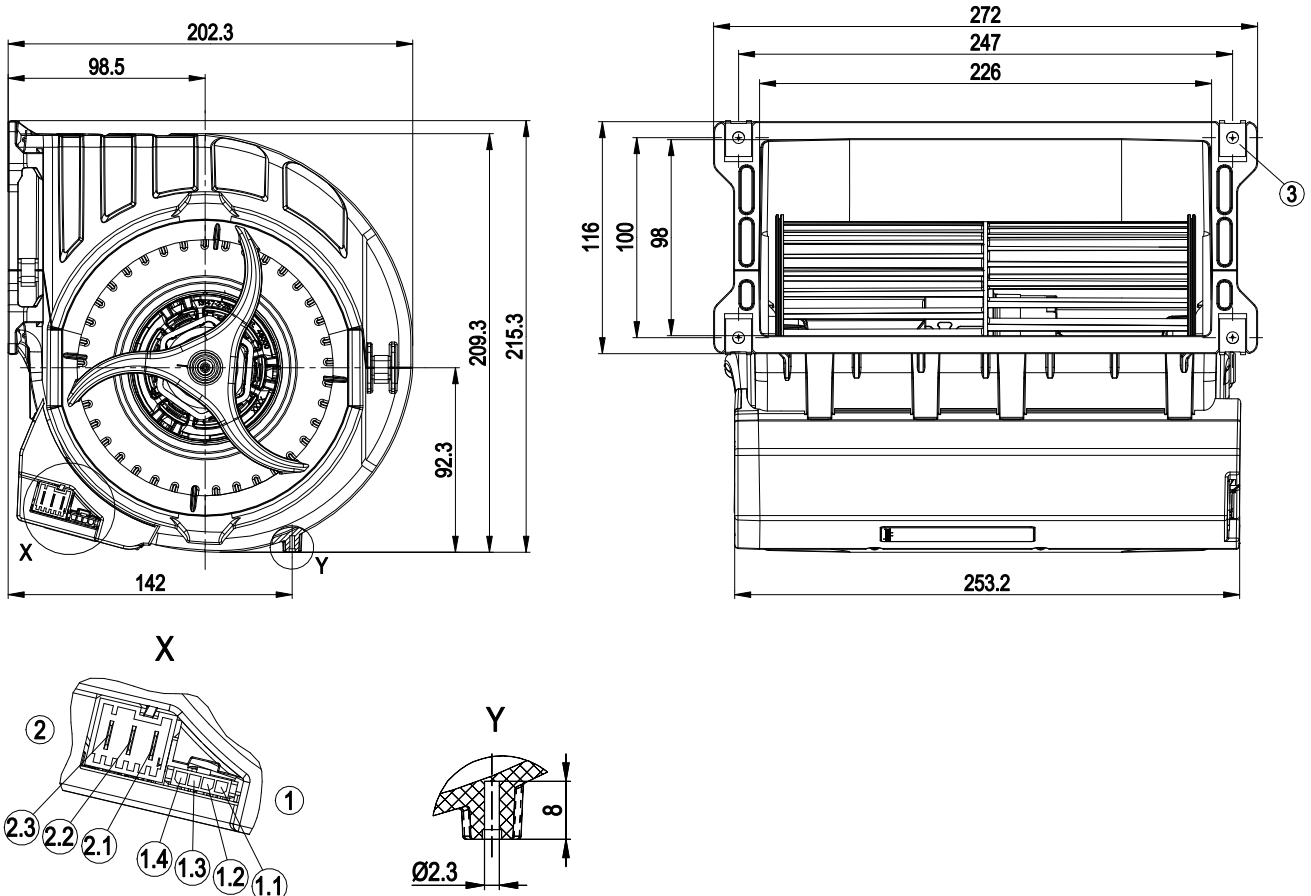
| | |
|---|--|
| Weight | 2.223 kg |
| Size | 146 mm |
| Motor size | 55 |
| Rotor surface | Galvanized |
| Electronics housing material | PP plastic |
| Impeller material | PP plastic |
| Housing material | PP plastic |
| Motor suspension | Motor vibration-damped on both sides |
| Direction of rotation | Counterclockwise, viewed toward rotor |
| Degree of protection | Motor IP00, electronics IP20; installation- and position-dependent |
| Insulation class | "F" |
| Moisture (F) / Environmental (H) protection class | H0 - dry environment |
| Max. permitted ambient temp. for motor (transport/storage) | + 80 °C |
| Min. permitted ambient temp. for motor (transport/storage) | - 40 °C |
| Installation position | Any |
| Condensation drainage holes | None, open rotor |
| Cooling hole/opening | On rotor and stator sides |
| Mode | S1 |
| Motor bearing | Ball bearing |
| Technical features | <ul style="list-style-type: none"> - Output 10 VDC, max. 10 mA - Tach output - Motor current limitation - PFC, active - Soft start - Control input 0-10 VDC / PWM - Control interface with SELV potential safely disconnected from the mains - Thermal overload protection for motor |
| Touch current according to IEC 60990 (measuring circuit Fig. 4, TN system) | <= 3.5 mA |
| Electrical hookup | Plug |
| Motor protection | Thermal overload protector (TOP) internally connected |
| With cable | Variable |
| Protection class | I (with customer connection of protective earth) |
| Conformity with standards | EN 60335-1; CE |
| Approval | CSA C22.2 No. 77 + CAN/CSA-E60730-1; UL 1004-7 + 60730-1 |



EC centrifugal fan

forward-curved, dual-intake
with housing (flange)

Product drawing



| | |
|-----|---|
| 1 | Header Molex Micro Fit 3.0 04365 00400 (pluggable with 04364 50400) |
| 1.1 | 10 V |
| 1.2 | Tach |
| 1.3 | 0-10 V lin. / PWM |
| 1.4 | GND |
| 2 | Connector Lumberg 3642 03 K01 (pluggable with 3626 03 K01) |
| 2.1 | PE |
| 2.2 | L |
| 2.3 | N |
| 3 | 4x sheet metal nut for thread EN ISO 1478-ST4.8 (min. screw length 14.5 mm plus material thickness of attachment) |

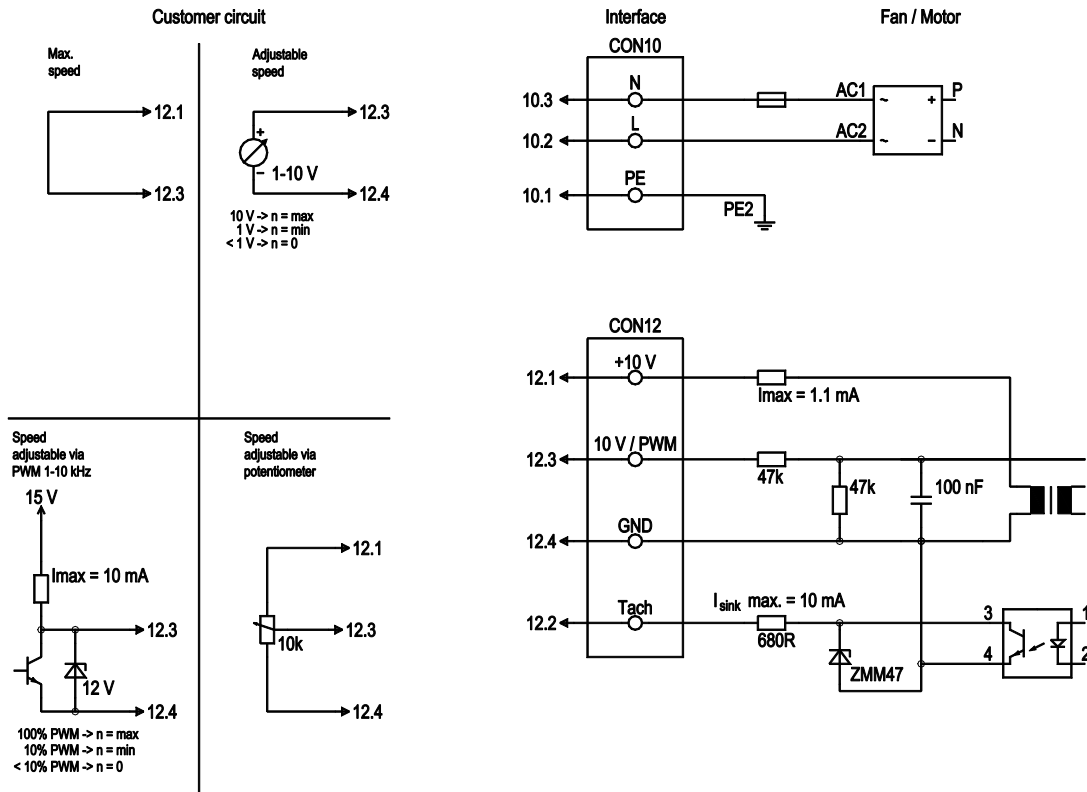


EC centrifugal fan

forward-curved, dual-intake

with housing (flange)

Connection diagram



| No. | Conn. | Designation | Color | Function/assignment |
|-------|-------|--------------------|--------------|---|
| CON10 | 10.1 | PE | green/yellow | Protective earth |
| CON10 | 10.2 | L | black | Power supply 230 VAC, 50-60 Hz or 330 VDC, see nameplate for voltage range |
| CON10 | 10.3 | N | blue | Neutral conductor |
| CON12 | 12.1 | 10 V / max. 1,1 mA | red | Voltage output 10 V, 1.1 mA, electrically isolated, not short-circuit-proof |
| CON12 | 12.2 | Tach | white | Tach output: Open collector, 1 pulse per revolution, electrically isolated, I _{sink} max = 10 mA |
| CON12 | 12.3 | 0-10 V | yellow | Control input 0-10 V or PWM, electrically isolated |
| CON12 | 12.4 | GND | blue | GND connection of control interface |

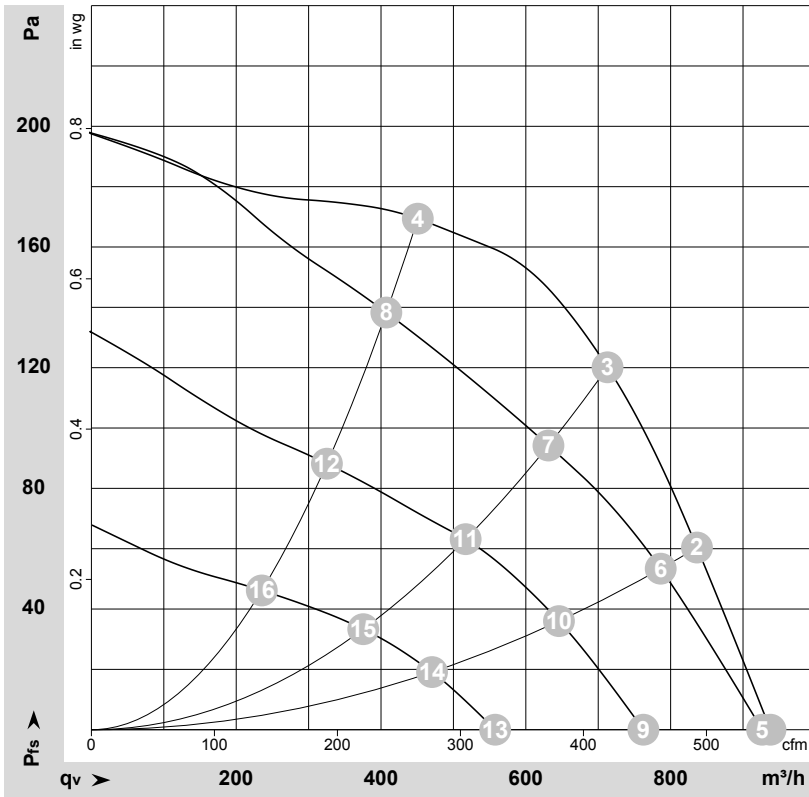


EC centrifugal fan

forward-curved, dual-intake

with housing (flange)

Curves: Air performance 50 Hz



$\rho = 1.15 \text{ kg/m}^3 \pm 2 \%$

Measurement: LU-168966-1

Air performance measured according to ISO 5801 installation category A. For detailed information on the measurement setup, contact ebmpapst. Intake sound level: Sound power level according to ISO 13347 / sound pressure level measured at 1 m distance from fan axis. The values given are valid under the specified measuring conditions and may vary due to conditions of installation. For deviations from the standard configuration, the parameters have to be checked on the installed unit.

Measured values

| | U | f | n | P _{ed} | I | LpA _{in} | LwA _{in} | q _v | P _{fs} | q _v | P _{fs} |
|----|-----|----|-------------------|-----------------|------|-------------------|-------------------|-------------------|-----------------|----------------|-----------------|
| | V | Hz | min ⁻¹ | W | A | dB(A) | dB(A) | m ³ /h | Pa | cfm | in. wg |
| 1 | 230 | 50 | 1320 | 100 | 0.50 | 57 | 68 | 940 | 0 | 550 | 0.00 |
| 2 | 230 | 50 | 1490 | 100 | 0.50 | 56 | 67 | 835 | 60 | 490 | 0.24 |
| 3 | 230 | 50 | 1695 | 100 | 0.50 | 56 | 66 | 715 | 120 | 420 | 0.48 |
| 4 | 230 | 50 | 1825 | 70 | 0.40 | 55 | 65 | 450 | 170 | 265 | 0.68 |
| 5 | 230 | 50 | 1300 | 96 | 0.49 | | | 925 | 0 | 545 | 0.00 |
| 6 | 230 | 50 | 1400 | 82 | 0.44 | | | 785 | 54 | 465 | 0.22 |
| 7 | 230 | 50 | 1500 | 70 | 0.40 | | | 630 | 94 | 370 | 0.38 |
| 8 | 230 | 50 | 1645 | 53 | 0.34 | | | 405 | 138 | 240 | 0.55 |
| 9 | 230 | 50 | 1065 | 52 | 0.34 | | | 760 | 0 | 450 | 0.00 |
| 10 | 230 | 50 | 1135 | 45 | 0.31 | | | 645 | 36 | 380 | 0.14 |
| 11 | 230 | 50 | 1210 | 37 | 0.29 | | | 515 | 63 | 305 | 0.25 |
| 12 | 230 | 50 | 1305 | 29 | 0.27 | | | 325 | 88 | 190 | 0.35 |
| 13 | 230 | 50 | 810 | 24 | 0.25 | | | 560 | 0 | 330 | 0.00 |
| 14 | 230 | 50 | 850 | 20 | 0.25 | | | 470 | 19 | 275 | 0.08 |
| 15 | 230 | 50 | 890 | 17 | 0.24 | | | 375 | 33 | 220 | 0.13 |
| 16 | 230 | 50 | 945 | 14 | 0.23 | | | 235 | 46 | 140 | 0.18 |

U = Voltage · f = Frequency · n = Speed (rpm) · P_{ed} = Power consumption · I = Current draw · LpA_{in} = Sound pressure level intake side · LwA_{in} = Sound power level intake side
 q_v = Air flow · P_{fs} = Pressure increase

