

D2G097-DA09-01

EC centrifugal fan

forward curved, dual inlet
with housing (without flange)

D2G097-DA09-01 ebmpapst Datasheet
sales@fansco.com
www.fansco.com

Limited partnership · Headquarters Muldingen
County court Stuttgart · HRA 590344

General partner: Elektrobau Muldingen GmbH · Headquarters Muldingen
County court Stuttgart · HRB 590142

Nominal data

Type	D2G097-DA09-01	
Motor	M2G055-BD	
Nominal voltage	VDC	48
Nominal voltage range	VDC	36 .. 57
Type of data definition		fa
Speed	min ⁻¹	2450
Power input	W	36
Current draw	A	0.85
Min. ambient temperature	°C	- 25
Max. ambient temperature	°C	+ 60

ml = max. load · me = max. efficiency · fa = running at free air · cs = customer specs · cu = customer unit
Subject to alterations



EC centrifugal fan

forward curved, dual inlet
with housing (without flange)

Technical features

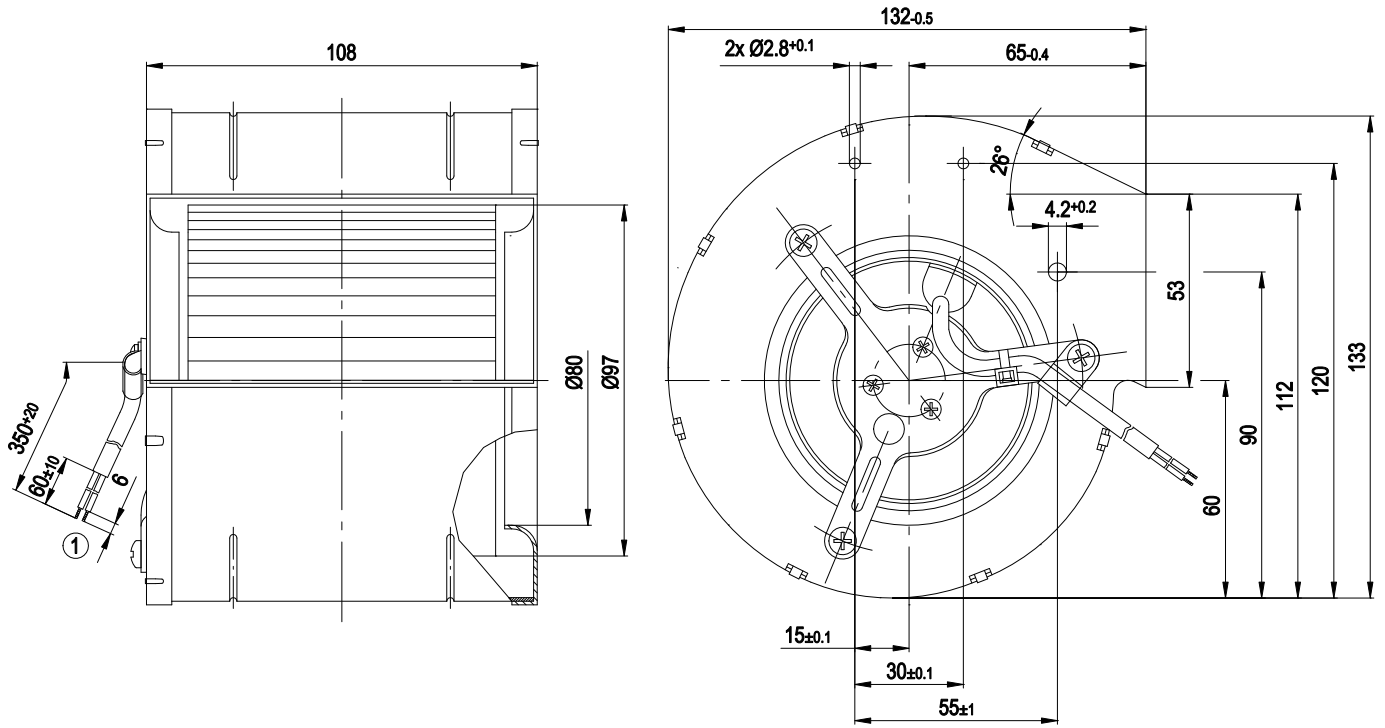
Mass	1.15 kg
Size	97 mm
Surface of rotor	Coated in black
Material of impeller	Sheet steel, hot-dip galvanised
Housing material	Sheet steel, hot-dip galvanised
Motor suspension	Motor mounted via brackets on one side
Direction of rotation	Counter-clockwise, seen on rotor
Type of protection	IP 20
Max. permissible ambient motor temp. (transp./ storage)	+ 80 °C
Min. permissible ambient motor temp. (transp./storage)	- 40 °C
Mounting position	Any
Condensate discharge holes	None
Operation mode	S1
Motor bearing	Ball bearing
Motor protection	Reverse polarity and locked-rotor protection
Product conforming to standard	EN 60335-1



EC centrifugal fan

forward curved, dual inlet
with housing (without flange)

Product drawing



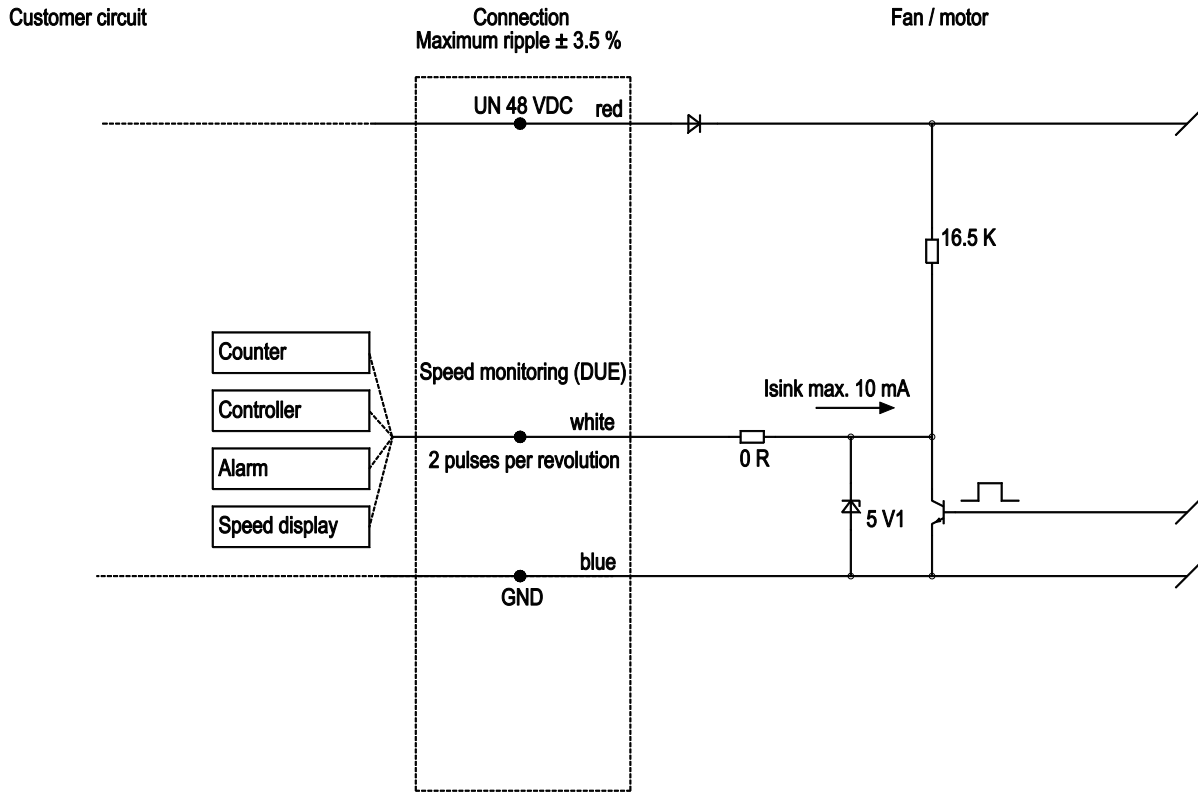
1 Connection line AWG20, 2 x brass lead tips crimped



EC centrifugal fan

forward curved, dual inlet
with housing (without flange)

Connection screen



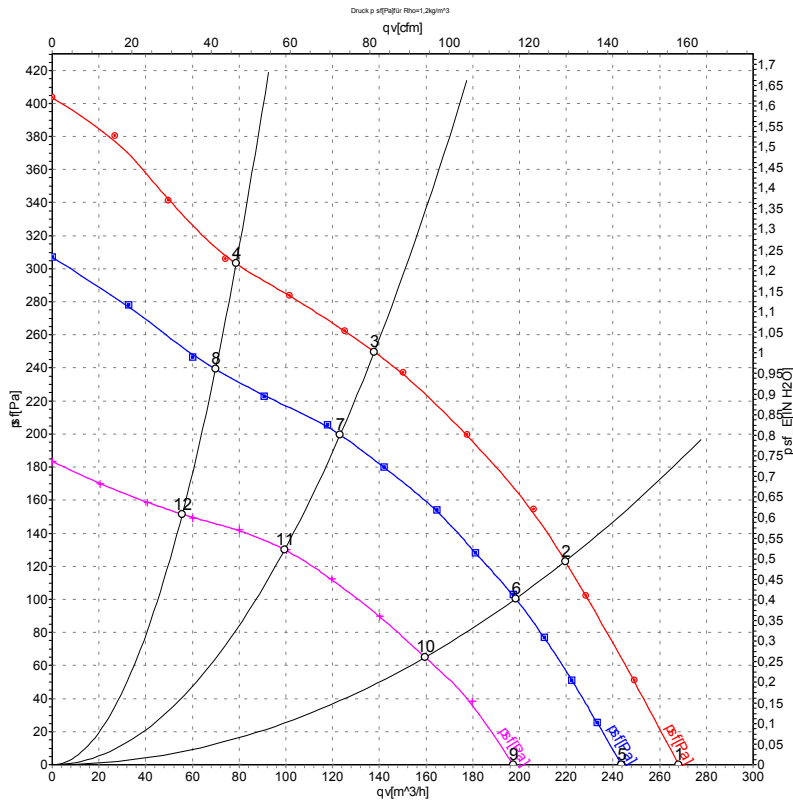
Tach output 5.1 V, 2 pulses per revolution, optional



EC centrifugal fan

forward curved, dual inlet
with housing (without flange)

Charts: Air flow



Measurement: LU-116834
Measurement: LU-116832
Measurement: LU-116836

Air performance measured as per ISO 5801 Installation category A. For detailed information on the measuring set-up, please contact ebmpapst. Suction-side noise levels: LwA measured as per ISO 13347 / LpA measured with 1m distance to fan axis. The values given are valid under the measuring conditions mentioned above and may vary according to the actual installation situation. With any deviation from the standard set-up, the specific values have to be checked and reviewed with the unit installed.

Measured values

	U	n	P _e	I	qv	p _{sf}
	V	min ⁻¹	W	A	m ³ /h	Pa
1	57	2710	50	1.04	270	0
2	57	2905	43	0.90	220	123
3	57	3310	31	0.63	140	250
4	57	3615	24	0.48	80	302
5	48	2450	36	0.85	245	0
6	48	2630	31	0.72	200	100
7	48	2930	23	0.52	125	200
8	48	3190	18	0.40	70	240
9	36	2055	19	0.58	195	0
10	36	2195	16	0.48	160	65
11	36	2430	12	0.36	100	131
12	36	2560	9.9	0.30	55	152

