

# AC centrifugal fan

forward curved, dual inlet  
with housing (flange)

D2E160-GL23-22 ebmpapst Datasheet

[sales@fansco.com](mailto:sales@fansco.com)

[www.fansco.com](http://www.fansco.com)

Limited partnership · Headquarters Muldingen  
County court Stuttgart · HRA 590344

General partner Elektrobau Muldingen GmbH · Headquarters Muldingen  
County court Stuttgart · HRB 590142

## Nominal data

<b>Type</b>	<b>D2E160-GL23-22</b>	
<b>Motor</b>	<b>M2E074-HA</b>	
Phase		1~
Nominal voltage	VAC	230
Frequency	Hz	50
Type of data definition		ml
Valid for approval / standard		CE
Speed	min <sup>-1</sup>	1500
Power input	W	245
Current draw	A	1.08
Motor capacitor	µF	6
Capacitor voltage	VDB	400
Capacitor standard		P0 (CE)
Min. back pressure	Pa	150
Min. ambient temperature	°C	-25
Max. ambient temperature	°C	45
Starting current	A	1.2

ml = Max. load · me = Max. efficiency · fa = Running at free air · cs = Customer specs · cu = Customer unit  
Subject to alterations



# AC centrifugal fan

forward curved, dual inlet  
with housing (flange)

## Technical features

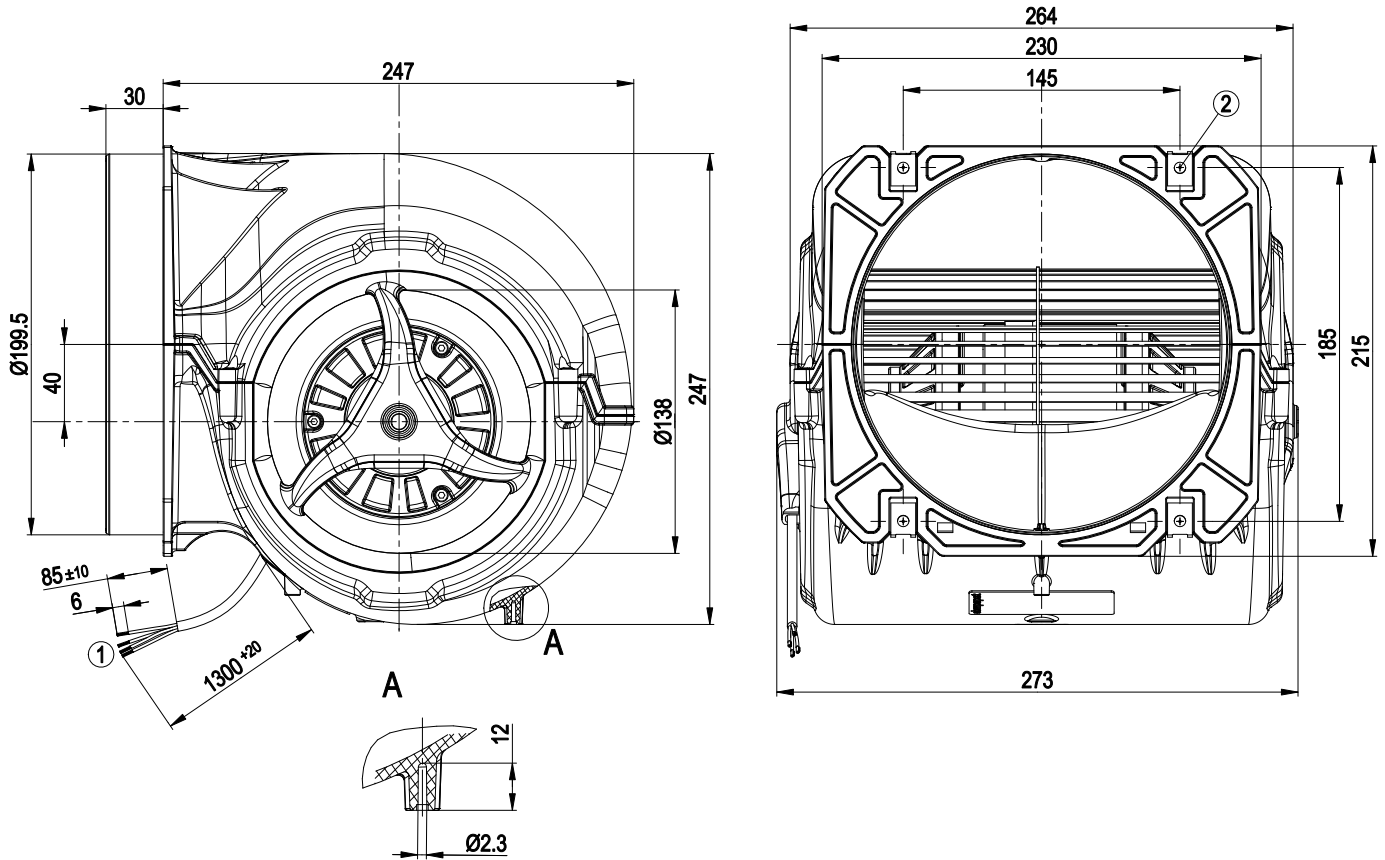
<b>Mass</b>	6.9 kg
<b>Size</b>	160 mm
<b>Surface of rotor</b>	Uncoated
<b>Material of impeller</b>	Sheet steel, galvanised
<b>Housing material</b>	PP plastic
<b>Motor suspension</b>	Motor mounted vibration-free on both sides
<b>Direction of rotation</b>	Counter-clockwise, seen on rotor
<b>Type of protection</b>	IP 54
<b>Insulation class</b>	"F"
<b>Humidity class</b>	F5
<b>Max. permissible ambient motor temp. (transp./ storage)</b>	+ 80 °C
<b>Min. permissible ambient motor temp. (transp./storage)</b>	- 40 °C
<b>Mounting position</b>	Any
<b>Condensate discharge holes</b>	None
<b>Operation mode</b>	S1
<b>Motor bearing</b>	Ball bearing
<b>Touch current acc. IEC 60990 (measuring network Fig. 4, TN system)</b>	< 0.75 mA
<b>Motor protection</b>	Thermal overload protector (TOP) wired internally
<b>Cable exit</b>	Axial
<b>Protection class</b>	I (if protective earth is connected by customer)
<b>Product conforming to standard</b>	EN 60335-1; CE



# AC centrifugal fan

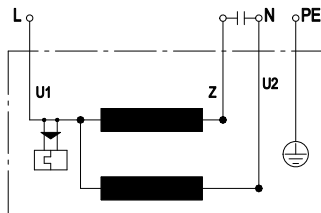
forward curved, dual inlet  
with housing (flange)

## Product drawing



- 1 Connection line ETFE AWG20, 4 x brass lead tips crimped
- 2 4x sheet metal nut for thread EN ISO 1478-ST4.8 (min. screw length 14.5 mm plus thickness of mounting material)

## Connection screen



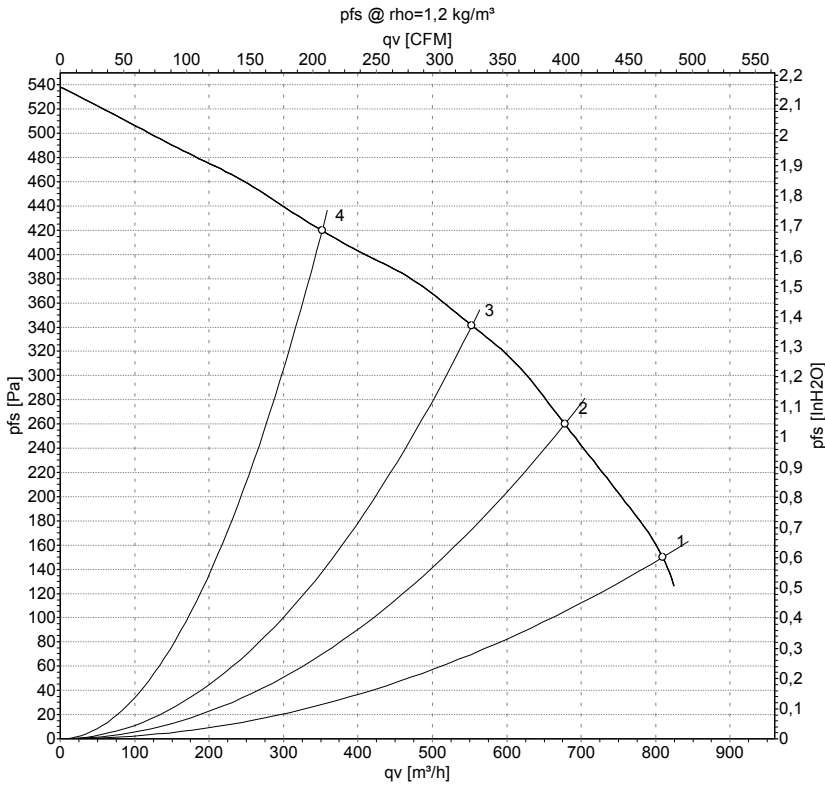
U1	blue	Z	brown	U2	black
PE	green/yellow				



# AC centrifugal fan

forward curved, dual inlet  
with housing (flange)

## Charts: Air flow 50 Hz



Measurement: LU-124433

Air performance measured as per ISO 5801 Installation category A. For detailed information on the measuring set-up, please contact ebm-papst. Suction-side noise levels: LwA measured as per ISO 13347 / LpA measured with 1m distance to fan axis. The values given are valid under the measuring conditions mentioned above and may vary according to the actual installation situation. With any deviation from the standard set-up, the specific values have to be checked and reviewed with the unit installed.

## Measured values

	U	f	n	P <sub>e</sub>	I	qv	P <sub>fs</sub>
	V	Hz	min <sup>-1</sup>	W	A	m³/h	Pa
1	230	50	1500	245	1.08	810	150
2	230	50	1920	222	0.98	680	260
3	230	50	2180	209	0.93	555	340
4	230	50	2410	190	0.88	350	420

U = Supply voltage · f = Frequency · n = Speed · P<sub>e</sub> = Power input · I = Current draw · qv = Air flow · P<sub>fs</sub> = Pressure increase

