

D2E160-AB01-06

AC centrifugal fan

forward curved, dual inlet
with housing (without flange)



D2E160-AB01-06 ebmpapst Datasheet
sales@fansco.com
www.fansco.com

Nominal data

Type	D2E160-AB01-06	
Motor	M2E074-FA	
Phase		1~
Nominal voltage	[V]	230
Frequency	[Hz]	50
Type of data definition		ml
Valid for approval / standard		CE
Speed	[min ⁻¹]	1850
Power input	[W]	410
Current draw	[A]	1.8
Motor capacitor	[μF]	10
Capacitor voltage	[VDB]	400
Min. back pressure	[Pa]	200
Max. ambient temperature	[°C]	40

ml = max. load · me = max. efficiency · rfa = running at free air · cs = customer specs · cu = customer unit
Subject to alterations

AC centrifugal fan

forward curved, dual inlet
with housing (without flange)

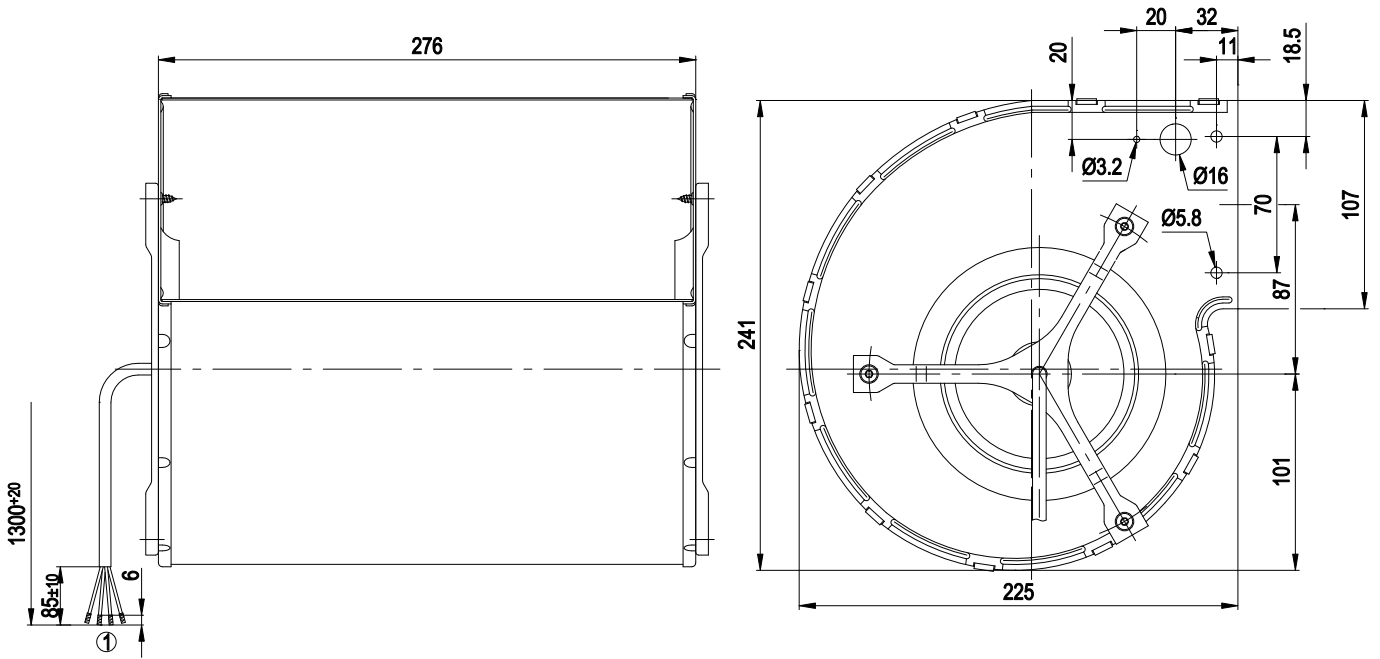
Technical features

Leakage current	< 0.75 mA
Size	160 mm
Operation mode	S1
Direction of rotation	Counter-clockwise, seen on rotor
Mounting position	Any
Insulation class	"F"
Cable exit	Axial
Condensate discharge holes	None
Bearing motor	Ball bearing
Mass	6.4 kg
Housing material	Sheet steel, hot-galvanised
Material of impeller	Sheet steel, hot-galvanised
Motor suspension	Motor mounted with anti-vibration on both sides
Motor protection	Thermal overload protector (TOP) wired internally
Product conforming to standard	CE; EN 60335-1
Surface of rotor	Partially cast in aluminium
Type of protection	IP 20
Protection class	I
Max. permissible ambient motor temp. (transp./ storage)	+ 80 °C
Min. permissible ambient motor temp. (transp./storage)	- 40 °C
Approval	CCC; GOST

AC centrifugal fan

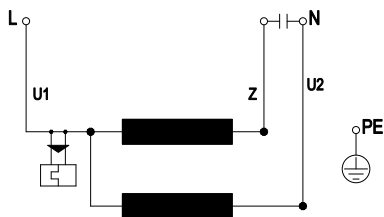
forward curved, dual inlet
with housing (without flange)

Product drawing



1 Connection line ETFE AWG 20, 4x brass lead tips crimped

Connection screen

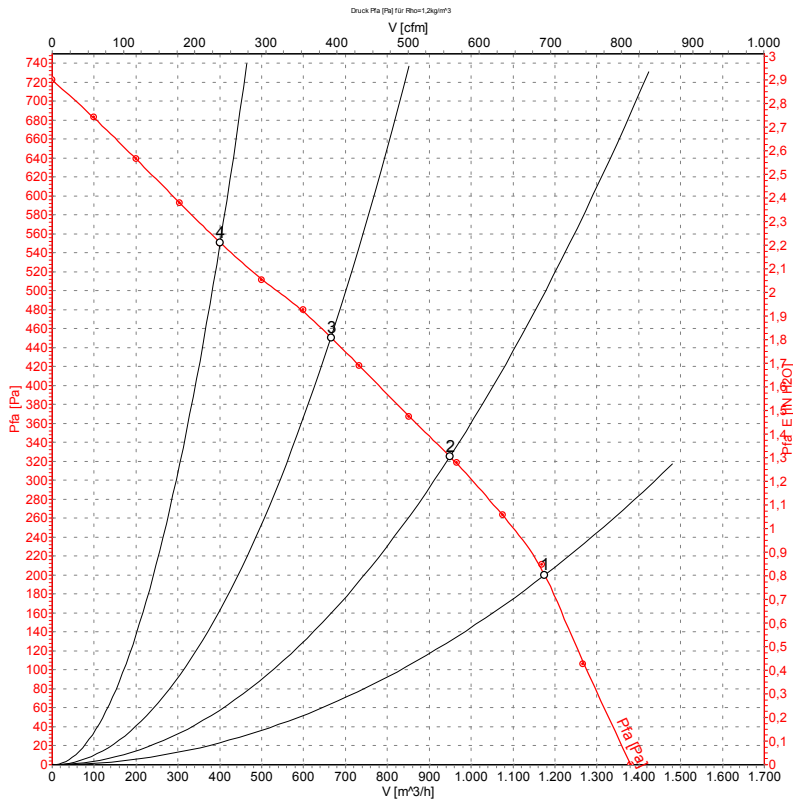


U1	blue	Z	brown	U2	black
PE	green/yellow				

AC centrifugal fan

forward curved, dual inlet
with housing (without flange)

Charts: Air flow 50 Hz



Measurement: LU-105277

Measured values

	U	f	n	P ₁	I	\hat{V}	P _{fa}
	[V]	[Hz]	[min ⁻¹]	[W]	[A]	[m ³ /h]	[Pa]
1	230	50	1850	410	1.80	1175	200
2	230	50	2120	381	1.66	950	325
3	230	50	2315	359	1.59	665	450
4	230	50	2430	344	1.54	400	550