

AC centrifugal fan

forward curved, dual inlet

with housing (flange)

D2E146-AP50-C5 ebmpapst Datasheet FansCo

sales@fansco.com

www.fansco.com

Nominal data

Type	D2E146-AP50-C5		
Motor	M2E068-EC		
Phase		1~	1~
Nominal voltage	VAC	230	230
Frequency	Hz	50	60
Type of data definition		ml	ml
Valid for approval / standard		CE	CE
Speed	min ⁻¹	2600	2700
Power input	W	250	340
Current draw	A	1.1	1.5
Motor capacitor	μF	8	8
Capacitor voltage	VDB	400	400
Min. back pressure	Pa	420	455
Min. ambient temperature	°C	-25	-25
Max. ambient temperature	°C	65	40

ml = Max. load · me = Max. efficiency · fa = Running at free air · cs = Customer specs · cu = Customer unit
Subject to alterations

Data according to ErP directive

Installation category	A
Efficiency category	Static
Variable speed drive	No
Specific ratio*	1.00

* Specific ratio = $1 + p_{fs} / 100\,000\text{ Pa}$

		Actual	Request 2013	Request 2015
Overall efficiency η_{es}	%	33.6	26.6	33.6
Efficiency grade N		44	37	44
Power input P_e	kW	0.23		
Air flow q_v	m ³ /h	620		
Pressure increase p_{fs}	Pa	435		
Speed n	min ⁻¹	2625		

Data definition with optimum efficiency.
The ErP data is determined using a motor-impeller combination in a standardised measurement configuration.



AC centrifugal fan

forward curved, dual inlet
with housing (flange)

Technical features

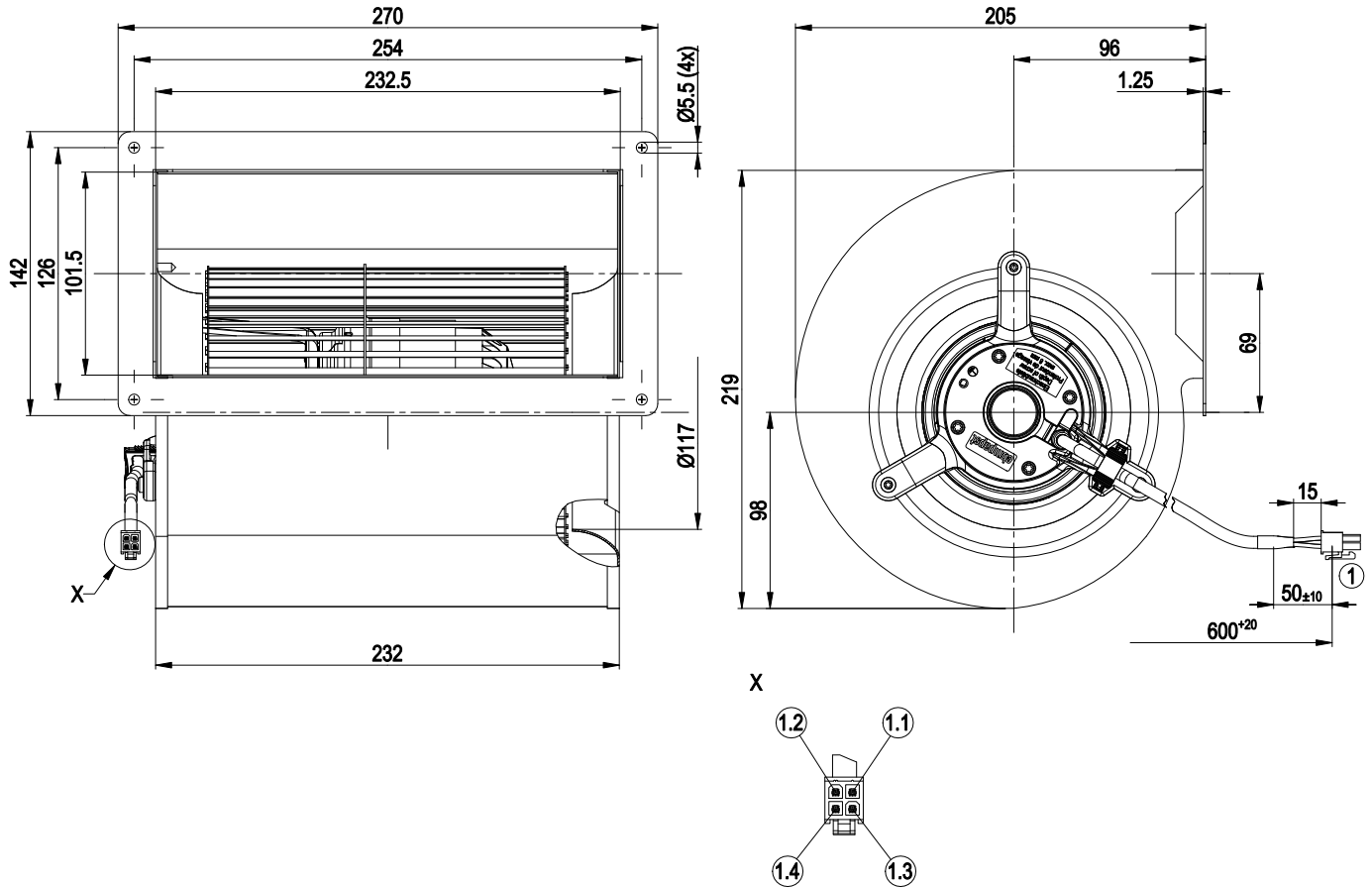
Mass	4.5 kg
Size	146 mm
Surface of rotor	Uncoated
Material of impeller	Sheet steel, galvanised
Housing material	Sheet steel, galvanised
Motor suspension	Motor mounted via brackets on one side
Direction of rotation	Counter-clockwise, seen on rotor
Type of protection	IP 44; Depending on installation and position
Insulation class	"F"
Humidity class	F0
Max. permissible ambient motor temp. (transp./ storage)	+ 80 °C
Min. permissible ambient motor temp. (transp./storage)	- 40 °C
Mounting position	Any
Condensate discharge holes	None
Operation mode	S1
Motor bearing	Ball bearing
Touch current acc. IEC 60990 (measuring network Fig. 4, TN system)	< 0.75 mA
Motor protection	Thermal overload protector (TOP) wired internally
Cable exit	Variable
Protection class	I (if protective earth is connected by customer)
Product conforming to standard	EN 60335-1; CE



AC centrifugal fan

forward curved, dual inlet
with housing (flange)

Product drawing



1	Connection line silicone 4G 0.5mm ² , with connector shell Molex 39-01-2040 and 4x female terminal Molex 39-00-0059
1.1	black
1.2	blue
1.3	brown
1.4	green / yellow

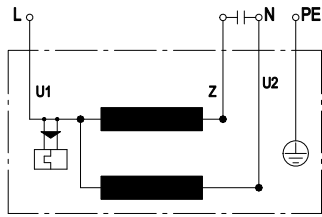


D2E146-AP50-C5

AC centrifugal fan

forward curved, dual inlet
with housing (flange)

Connection screen



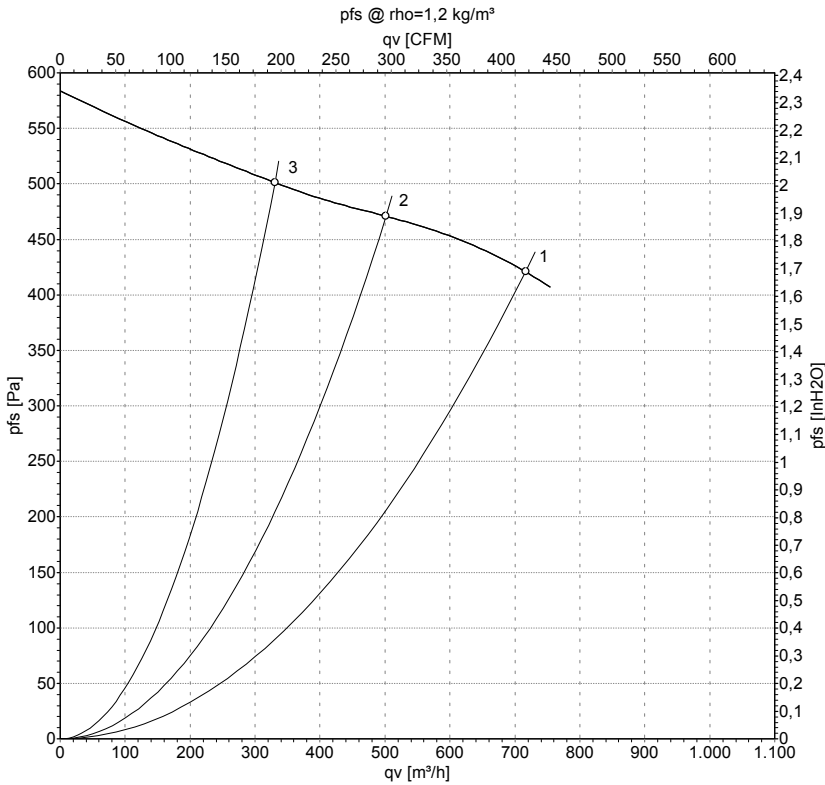
U1	blue	Z	brown	U2	black
PE	green/yellow				



AC centrifugal fan

forward curved, dual inlet
with housing (flange)

Charts: Air flow 50 Hz Y



Measurement: LU-77448

Air performance measured as per ISO 5801 Installation category A. For detailed information on the measuring set-up, please contact ebm-papst. Suction-side noise levels: LwA measured as per ISO 13347 / LpA measured with 1m distance to fan axis. The values given are valid under the measuring conditions mentioned above and may vary according to the actual installation situation. With any deviation from the standard set-up, the specific values have to be checked and reviewed with the unit installed.

Measured values

	U	f	n	P _e	I	qv	P _{fs}
	V	Hz	min ⁻¹	W	A	m³/h	Pa
1	230	50	2600	250	1.10	715	420
2	230	50	2690	212	0.94	500	470
3	230	50	2765	186	0.83	330	500

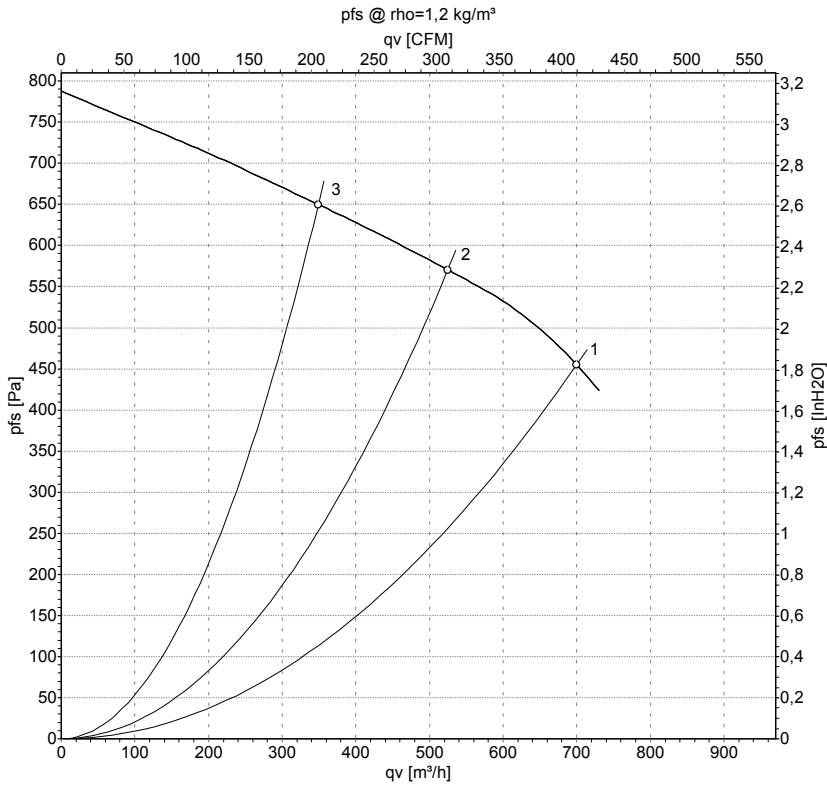
U = Supply voltage · f = Frequency · n = Speed · P_e = Power input · I = Current draw · qv = Air flow · p_{fs} = Pressure increase



AC centrifugal fan

forward curved, dual inlet
with housing (flange)

Charts: Air flow 60 Hz Y



Measurement: LU-77449

Air performance measured as per ISO 5801 Installation category A. For detailed information on the measuring set-up, please contact ebm-papst. Suction-side noise levels: LwA measured as per ISO 13347 / LpA measured with 1m distance to fan axis. The values given are valid under the measuring conditions mentioned above and may vary according to the actual installation situation. With any deviation from the standard set-up, the specific values have to be checked and reviewed with the unit installed.

Measured values

	U	f	n	P _e	I	qv	P _{fs}
	V	Hz	min ⁻¹	W	A	m ³ /h	Pa
1	230	60	2700	340	1.50	700	455
2	230	60	2955	307	1.39	525	570
3	230	60	3135	274	1.28	350	650

U = Supply voltage · f = Frequency · n = Speed · P_e = Power input · I = Current draw · qv = Air flow · p_{fs} = Pressure increase

