

# AC centrifugal fan

forward curved, dual inlet  
with housing (flange)

ebm-papst Mulfingen GmbH & Co. KG  
Bachmühle 2  
D-74673 Mulfingen  
Phone: +49(0)7938/81-0  
Fax: +49(0)7938/81-110  
sales@fansco.com  
www.fansco.com

## Nominal data

|                               |                   |      |      |
|-------------------------------|-------------------|------|------|
| Type                          | D2E133-AM47-23    |      |      |
| Motor                         | M2E068-DF         |      |      |
| Phase                         |                   | 1~   | 1~   |
| Nominal voltage               | V                 | 230  | 230  |
| Frequency                     | Hz                | 50   | 60   |
| Type of data definition       |                   | rfa  | ml   |
| Valid for approval / standard |                   | CE   | CE   |
| Speed                         | min <sup>-1</sup> | 1500 | 1800 |
| Power input                   | W                 | 190  | 200  |
| Current draw                  | A                 | 0.84 | 0.88 |
| Motor capacitor               | µF                | 3    | 3    |
| Capacitor voltage             | VDB               | 450  | 450  |
| Min. back pressure            | Pa                | 0    | 100  |
| Max. ambient temperature      | °C                | 35   | 25   |

ml = max. load · me = max. efficiency · rfa = running at free air · cs = customer specs · cu = customer unit  
Subject to alterations

# AC centrifugal fan

forward curved, dual inlet  
with housing (flange)

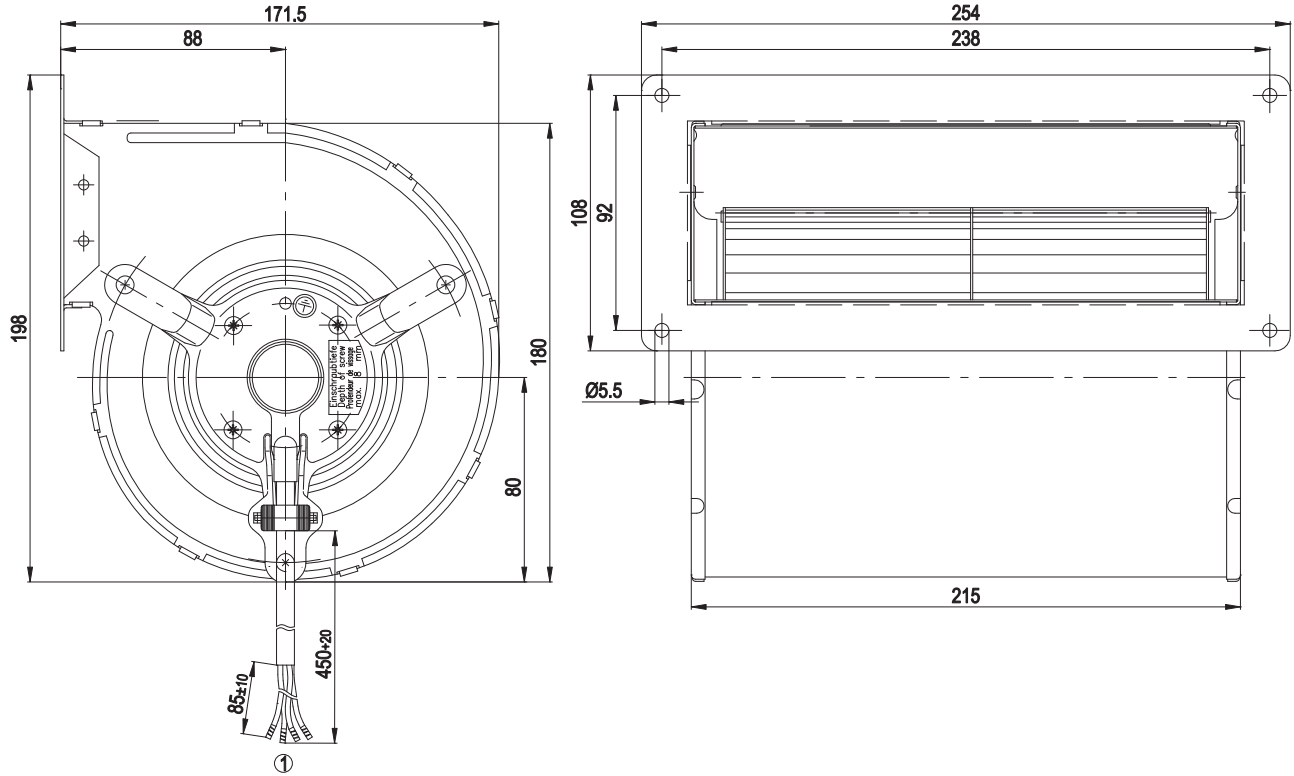
## Technical features

|   |   |
|---|---|
| Leackage current  | < 0.75 mA   |
| General description                                     | With flange                                       |
| Size  | 133 mm  |
| Operation mode  | S1  |
| Direction of rotation                                   | Clockwise, seen on rotor                          |
| Mounting position                                       | Any   |
| Humidity class  | F0  |
| Insulation class  | "B"   |
| Cable exit  | Axial   |
| Condensate discharge holes                              | None  |
| Motor bearing   | Ball bearing                                      |
| Mass  | 3.5 kg  |
| Housing material  | Sendzimir galvanized sheet steel                  |
| Material of impeller                                    | Sendzimir galvanized sheet steel                  |
| Motor suspension  | Motor mounted via brackets on one side            |
| Motor protection  | Thermal overload protector (TOP) wired internally |
| Product conforming to standard                          | CE; EN 60335-1                                    |
| Surface of rotor  | Partially cast in aluminium                       |
| Type of protection                                      | IP 44   |
| Protection class  | I   |
| Max. permissible ambient motor temp. (transp./ storage) | + 80 °C   |
| Min. permissible ambient motor temp. (transp./storage)  | - 40 °C   |
| Approval  | CCC; GOST   |

# AC centrifugal fan

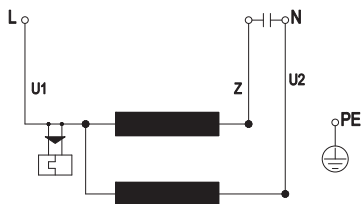
forward curved, dual inlet  
with housing (flange)

## Product drawing



1 Connection line PVC, 4x brass lead tips crimped

## Connection screen

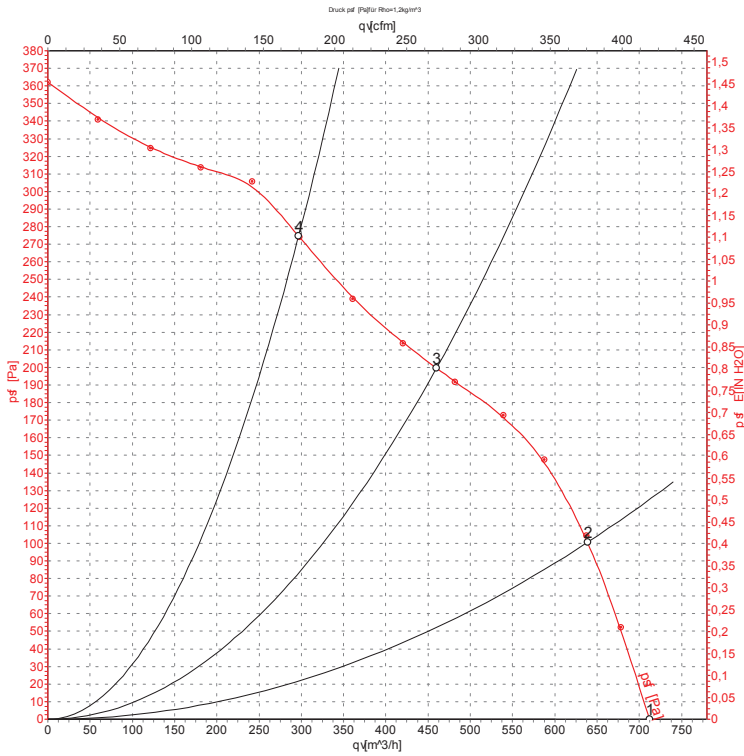


|    |              |   |       |    |       |
|----|--------------|---|-------|----|-------|
| U1 | blue         | Z | brown | U2 | black |
| PE | green/yellow |   |       |    |       |

# AC centrifugal fan

forward curved, dual inlet  
with housing (flange)

## Charts: Air flow 50 Hz



Measurement: LU-105263

Air performance measured as per ISO 5801 Installation Category A. For detailed information on the measuring set-up, please contact ebm-papst. Suction-side noise levels: L<sub>WA</sub> measured as per ISO 13347 / L<sub>pA</sub> measured with 1m distance to fan axis. The values given are valid under the measuring conditions mentioned above and may vary according to the actual installation situation. With any deviation from the standard set-up, the specific values have to be checked and reviewed with the unit installed.

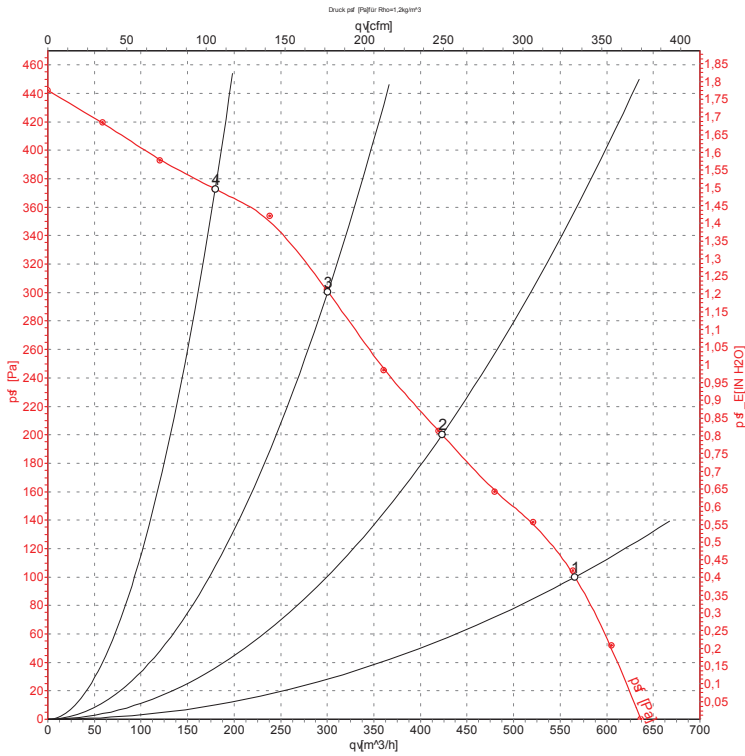
## Measured values

|   | U   | f  | n                 | P <sub>1</sub> | I    | q <sub>v</sub> | p <sub>sf</sub> |
|---|-----|----|-------------------|----------------|------|----------------|-----------------|
|   | V   | Hz | min <sup>-1</sup> | W              | A    | m³/h           | Pa              |
| 1 | 230 | 50 | 1500              | 190            | 0.84 | 710            | 0               |
| 2 | 230 | 50 | 1890              | 164            | 0.72 | 640            | 102             |
| 3 | 230 | 50 | 2310              | 141            | 0.61 | 460            | 200             |
| 4 | 230 | 50 | 2570              | 118            | 0.52 | 295            | 275             |

# AC centrifugal fan

forward curved, dual inlet  
with housing (flange)

## Charts: Air flow 60 Hz



Measurement: LU-105265

Air performance measured as per ISO 5801 Installation Category A. For detailed information on the measuring set-up, please contact ebm-papst. Suction-side noise levels: L<sub>WA</sub> measured as per ISO 13347 / L<sub>pA</sub> measured with 1m distance to fan axis. The values given are valid under the measuring conditions mentioned above and may vary according to the actual installation situation. With any deviation from the standard set-up, the specific values have to be checked and reviewed with the unit installed.

## Measured values

|   | U   | f  | n                 | P <sub>1</sub> | I    | qv                | p <sub>sf</sub> |
|---|-----|----|-------------------|----------------|------|-------------------|-----------------|
|   | V   | Hz | min <sup>-1</sup> | W              | A    | m <sup>3</sup> /h | Pa              |
| 1 | 230 | 60 | 1800              | 200            | 0.88 | 565               | 100             |
| 2 | 230 | 60 | 2310              | 181            | 0.78 | 425               | 200             |
| 3 | 230 | 60 | 2685              | 170            | 0.74 | 300               | 300             |
| 4 | 230 | 60 | 2945              | 159            | 0.70 | 180               | 375             |