

D2E133-AM35-B4

AC centrifugal fan

forward-curved, dual-intake
with housing (without flange)



D2E133-AM35-B4 ebmpapst Datasheet

sales@fansco.com

www.fansco.com

Nominal data

Type	D2E133-AM35-B4	
Motor	M2E068-DF	
Phase		1~
Nominal voltage	VAC	230
Frequency	Hz	50
Method of obtaining data		ml
Valid for approval/standard		-
Speed (rpm)	min ⁻¹	2300
Power consumption	W	165
Current draw	A	0.72
Capacitor	μF	5
Capacitor voltage	VDB	400
Min. back pressure	Pa	200
Min. back pressure	in. wg	0.8
Min. ambient temperature	°C	-25
Max. ambient temperature	°C	80
Starting current	A	1.4

ml = Max. load · me = Max. efficiency · fa = Free air · cs = Customer specification · ce = Customer equipment
Subject to change



AC centrifugal fan

forward-curved, dual-intake
with housing (without flange)

Technical description

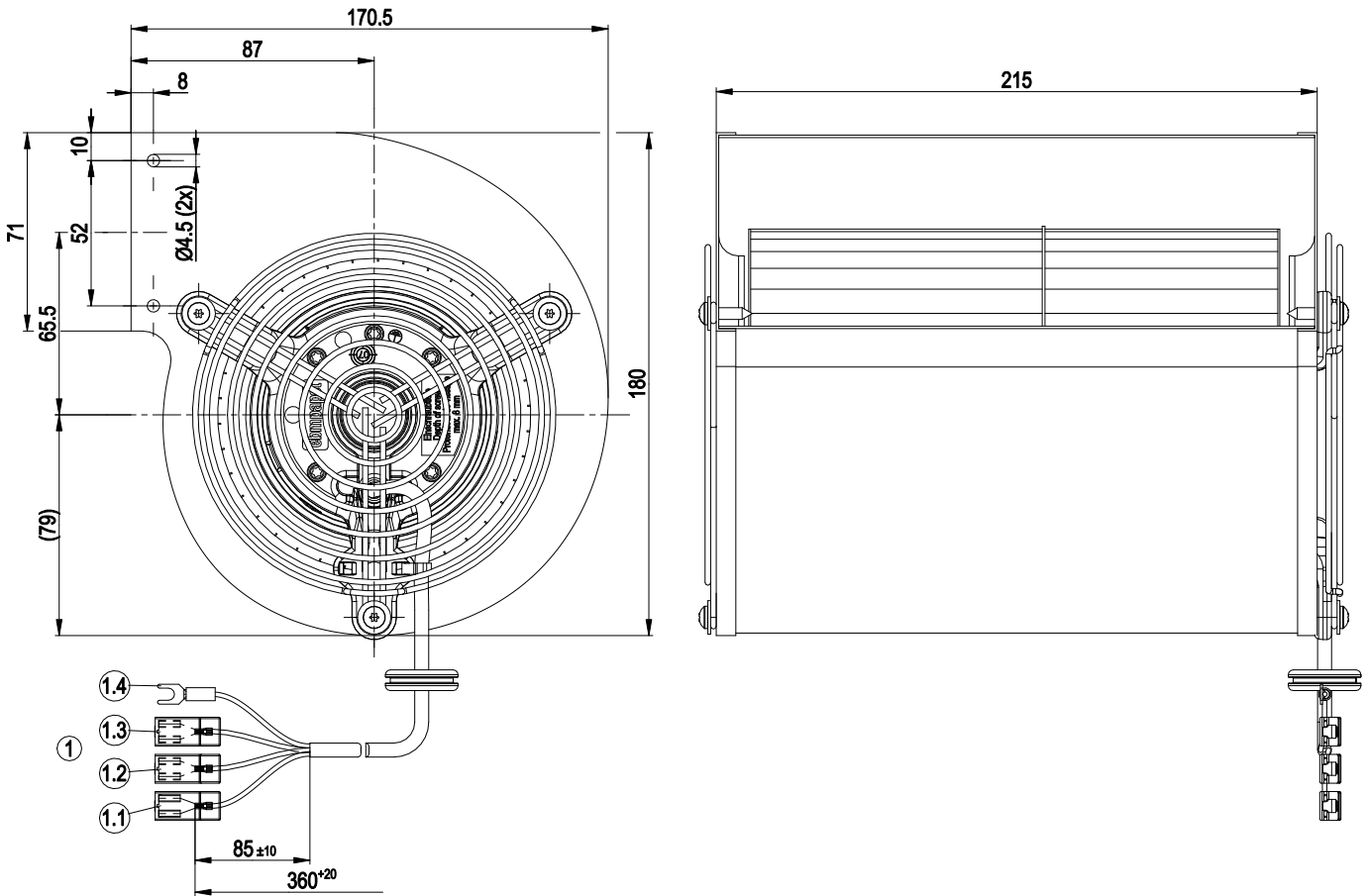
Weight	3.7 kg
Size	133 mm
Motor size	68
Impeller material	Sheet steel, galvanized
Housing material	Sheet steel, galvanized
Guard grille material	Steel, coated with white-aluminum plastic (RAL 9006)
Motor suspension	Motor mounted with brackets on one side
Direction of rotation	Clockwise, viewed toward rotor
Degree of protection	IP44; installation- and position-dependent
Insulation class	"F"
Moisture (F) / Environmental (H) protection class	H0+; F1-1
Max. permitted ambient temp. for motor (transport/storage)	+ 80 °C
Min. permitted ambient temp. for motor (transport/storage)	- 40 °C
Installation position	Any
Condensation drainage holes	None
Mode	S1
Motor bearing	Ball bearing
Touch current according to IEC 60990 (measuring circuit Fig. 4, TN system)	< 0.75 mA
Motor protection	Thermal overload protector (TOP) internally connected
With cable	Axial
Protection class	I (with customer connection of protective earth)
Conformity with standards	EN 60335-1
Approval	UL 1004-1; CCC; CSA C22.2 No. 100



AC centrifugal fan

forward-curved, dual-intake
with housing (without flange)

Product drawing



1	Cable PFA AWG20 (green/yellow AWG18), 3x flat push-on receptacle 6.3x0.8 with connector housing, 1x spade terminal tyco 130517-0
1.1	Z (brown)
1.2	N (black)
1.3	L (blue)
1.4	PE (green/yellow)

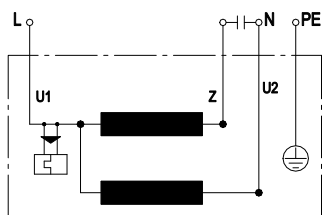


D2E133-AM35-B4

AC centrifugal fan

forward-curved, dual-intake
with housing (without flange)

Connection diagram



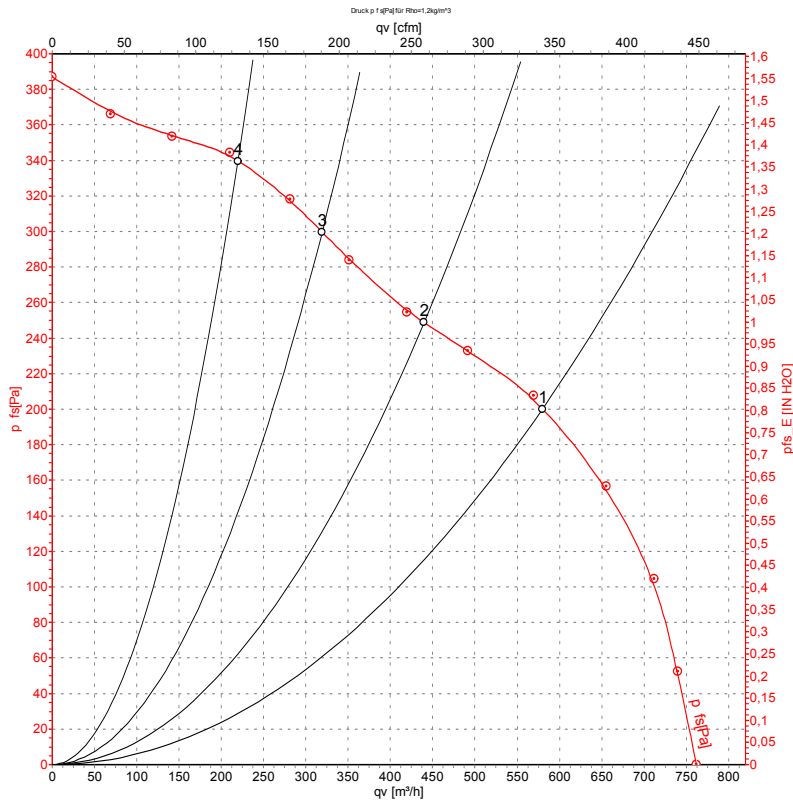
U1	blue	Z	brown	U2	black
PE	green/yellow				



AC centrifugal fan

forward-curved, dual-intake
with housing (without flange)

Curves: Air performance 50 Hz



Measurement: LU-59639-1

Air performance measured according to ISO 5801 installation category A. For detailed information on the measurement setup, contact ebmpapst. Intake sound level: Sound power level according to ISO 13347 / sound pressure level measured at 1 m distance from fan axis. The values given are valid under the specified measuring conditions and may vary due to conditions of installation. For deviations from the standard configuration, the parameters have to be checked on the installed unit.

Measured values

	U	f	n	P _e	I	q _v	P _{fs}	q _v	P _{fs}
	V	Hz	min ⁻¹	W	A	m ³ /h	Pa	cfm	in. wg
1	230	50	2300	165	0.72	580	200	340	0.80
2	230	50	2500	145	0.63	440	250	260	1.00
3	230	50	2640	127	0.56	320	300	190	1.20
4	230	50	2745	113	0.49	220	340	130	1.36

U = Voltage · f = Frequency · n = Speed (rpm) · P_e = Power consumption · I = Current draw · q_v = Air flow · P_{fs} = Pressure increase

