

AC centrifugal fan

forward-curved, dual-intake
with housing (without flange)

D2D133-AB02-07 ebmpapst Datasheet

sales@fansco.com

www.fansco.com

Nominal data

Type	D2D133-AB02-07		
Motor	M2D068-DF		
Phase		3~	3~
Nominal voltage	VAC	400	400
Wiring		Y	Y
Frequency	Hz	50	60
Method of obtaining data		ml	ml
Valid for approval/standard		CE	CE
Speed (rpm)	min ⁻¹	2170	2640
Power consumption	W	225	215
Current draw	A	0.37	0.34
Min. back pressure	Pa	100	250
Min. back pressure	inH ₂ O	0.4	1
Min. ambient temperature	°C	-25	-25
Max. ambient temperature	°C	80	75

ml = Max. load · me = Max. efficiency · fa = Free air · cs = Customer specification · ce = Customer equipment
Subject to change



AC centrifugal fan

forward-curved, dual-intake
with housing (without flange)

Technical description

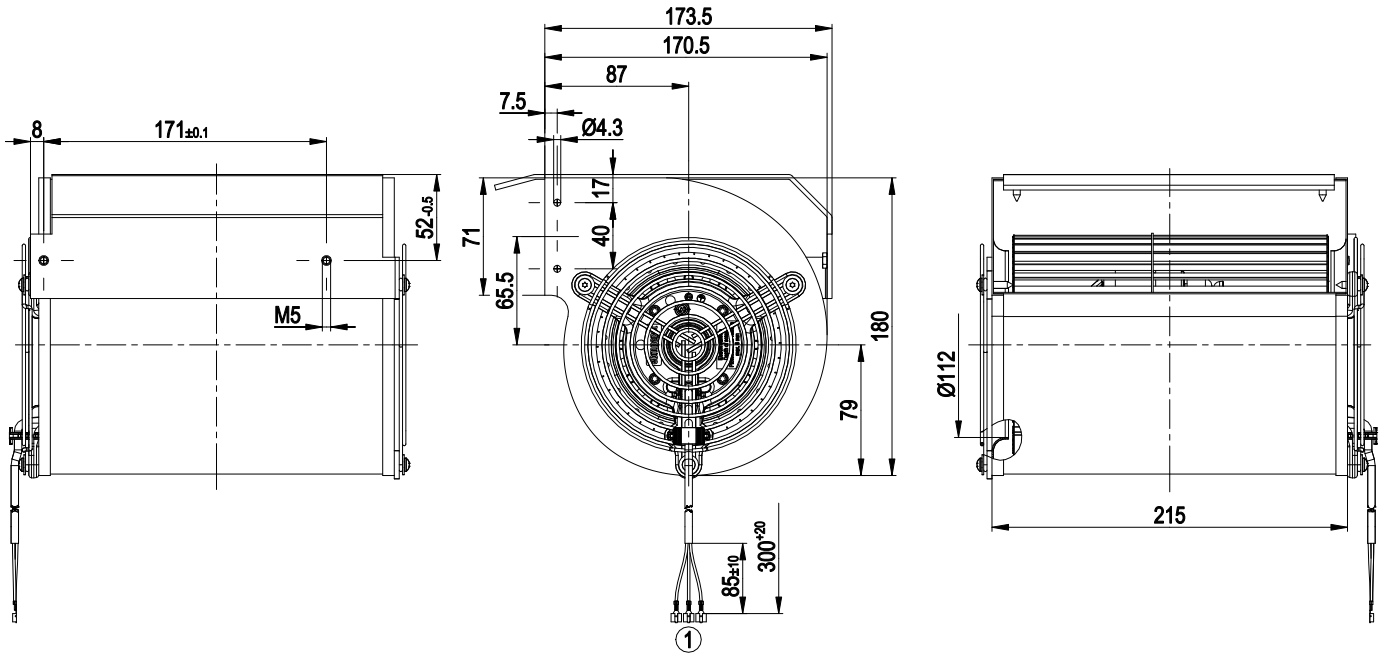
Weight	4.8 kg
Fan size	133 mm
Rotor surface	Painted black
Impeller material	Sheet steel, galvanized and painted black
Housing material	Sheet steel, galvanized
Guard grille material	Steel, galvanized and coated with white-aluminum plastic (RAL 9006)
Motor suspension	Motor mounted with brackets on one side
Direction of rotation	Clockwise, viewed toward rotor
Degree of protection	IP44; installation- and position-dependent as per EN 60034-5
Insulation class	"F"
Moisture (F) / Environmental (H) protection class	F2-2
Max. permitted ambient temp. for motor (transport/storage)	+ 80 °C
Min. permitted ambient temp. for motor (transport/storage)	- 40 °C
Installation position	Any
Condensation drainage holes	On rotor side
Mode	S1
Motor bearing	Ball bearing
Touch current according to IEC 60990 (measuring circuit Fig. 4, TN system)	< 0.75 mA
With cable	Axial
Protection class	I (with customer connection of protective earth)
Conformity with standards	EN 60335-1, motor does not have factory-installed overheating protection; CE



AC centrifugal fan

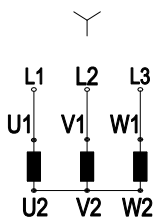
forward-curved, dual-intake
with housing (without flange)

Product drawing



1 Cable silicone 3X 0.5 mm², 3x crimped flat push-on receptacle 2.8x1

Connection diagram



Note: Change of rotation direction by reversing two phases

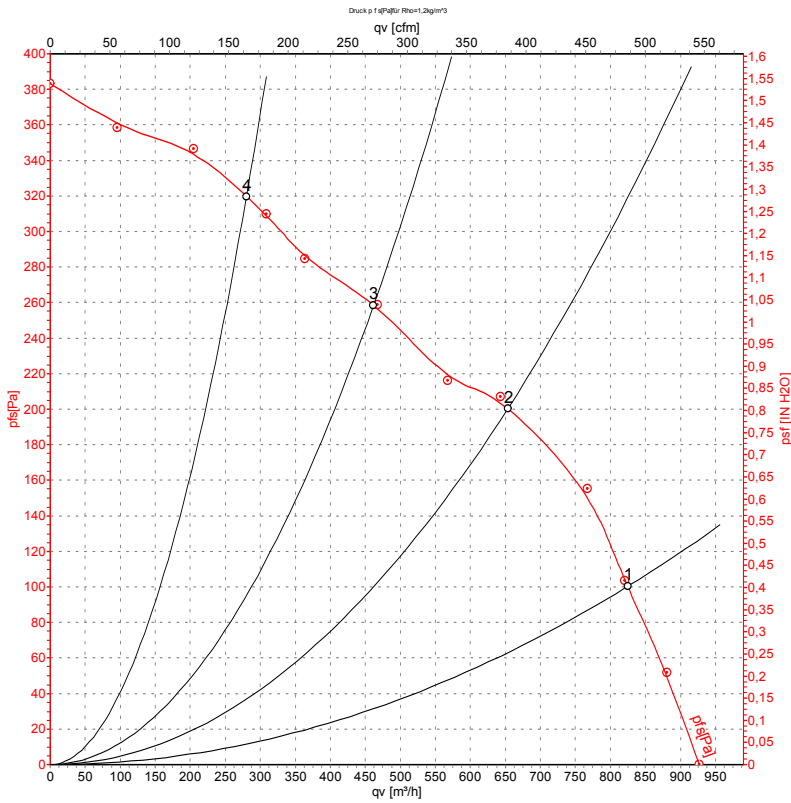
Y	Star connection	L1	black	L2	blue
L3	brown				



AC centrifugal fan

forward-curved, dual-intake
with housing (without flange)

Curves: Air performance 50 Hz



Measurement: LU-41101-1

Air performance measured according to ISO 5801 installation category A. For detailed information on the measurement setup, contact ebmpapst. Intake sound level: Sound power level according to ISO 13347 / sound pressure level measured at 1 m distance from fan axis. The values given are valid under the specified measuring conditions and may vary due to conditions of installation. For deviations from the standard configuration, the parameters have to be checked on the installed unit.

Measured values

	U	f	n	P _e	I	qv	p _{fs}	qv	p _{fs}
	V	Hz	min ⁻¹	W	A	m³/h	Pa	CFM	inH2O
1	400	50	2170	225	0.37	825	100	485	0.40
2	400	50	2395	179	0.30	655	200	385	0.80
3	400	50	2580	136	0.25	460	260	270	1.04
4	400	50	2745	92	0.21	280	320	165	1.28

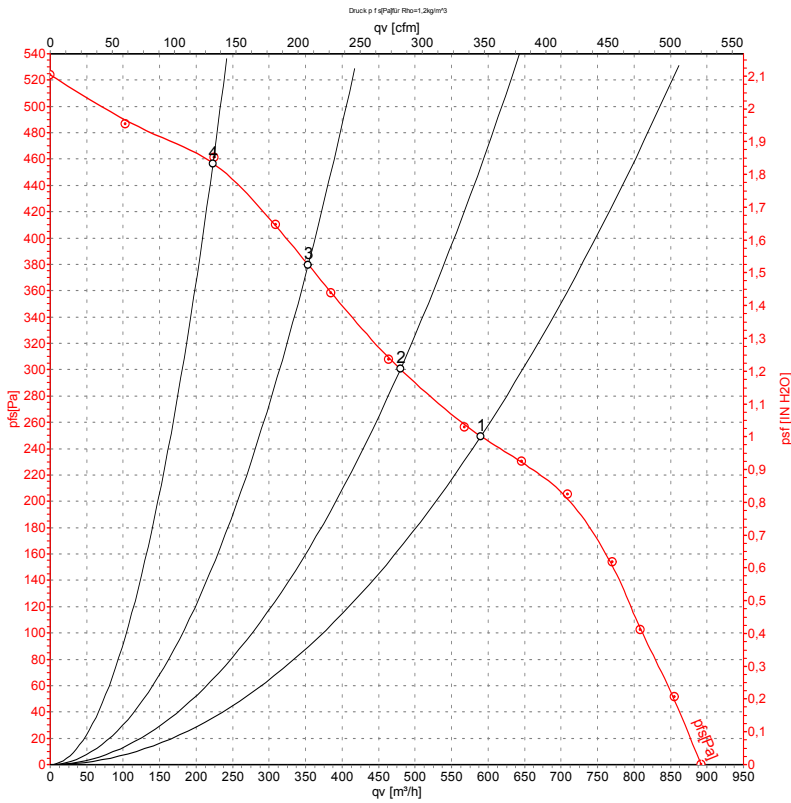
U = Power supply · f = Frequency · n = Speed (rpm) · P_e = Power consumption · I = Current draw · qv = Air flow · p_{fs} = Pressure increase



AC centrifugal fan

forward-curved, dual-intake
with housing (without flange)

Curves: Air performance 60 Hz



Measurement: LU-41103-1

Air performance measured according to ISO 5801 installation category A. For detailed information on the measurement setup, contact ebm-papst. Intake sound level: Sound power level according to ISO 13347 / sound pressure level measured at 1 m distance from fan axis. The values given are valid under the specified measuring conditions and may vary due to conditions of installation. For deviations from the standard configuration, the parameters have to be checked on the installed unit.

Measured values

	U	f	n	P _e	I	qv	p _{fs}	qv	p _{fs}
	V	Hz	min ⁻¹	W	A	m ³ /h	Pa	CFM	inH ₂ O
1	400	60	2640	215	0.34	590	250	345	1.00
2	400	60	2810	185	0.30	480	300	285	1.20
3	400	60	3020	147	0.24	355	380	210	1.53
4	400	60	3235	101	0.19	225	460	130	1.85

U = Power supply · f = Frequency · n = Speed (rpm) · P_e = Power consumption · I = Current draw · qv = Air flow · p_{fs} = Pressure increase

