

D1G133-DC55-16

EC centrifugal fan

forward curved, dual inlet

with housing (flange)

D1G133-DC55-16 ebmpapst Datasheet

sales@fansco.com

www.fansco.com

Limited partnership · Headquarters Muldingen
County court Stuttgart · HRA 590344

General partner Elektrobau Muldingen GmbH · Headquarters Muldingen
County court Stuttgart · HRB 590142

Nominal data

Type	D1G133-DC55-16	
Motor	M1G074-CF	
Nominal voltage	VDC	110
Nominal voltage range	VDC	67 .. 121
Type of data definition		fa
Speed	min ⁻¹	1550
Power input	W	120
Current draw	A	1.3
Min. ambient temperature	°C	-40
Max. ambient temperature	°C	40

ml = Max. load · me = Max. efficiency · fa = Running at free air · cs = Customer specs · cu = Customer unit
Subject to alterations



EC centrifugal fan

forward curved, dual inlet
with housing (flange)

Technical features

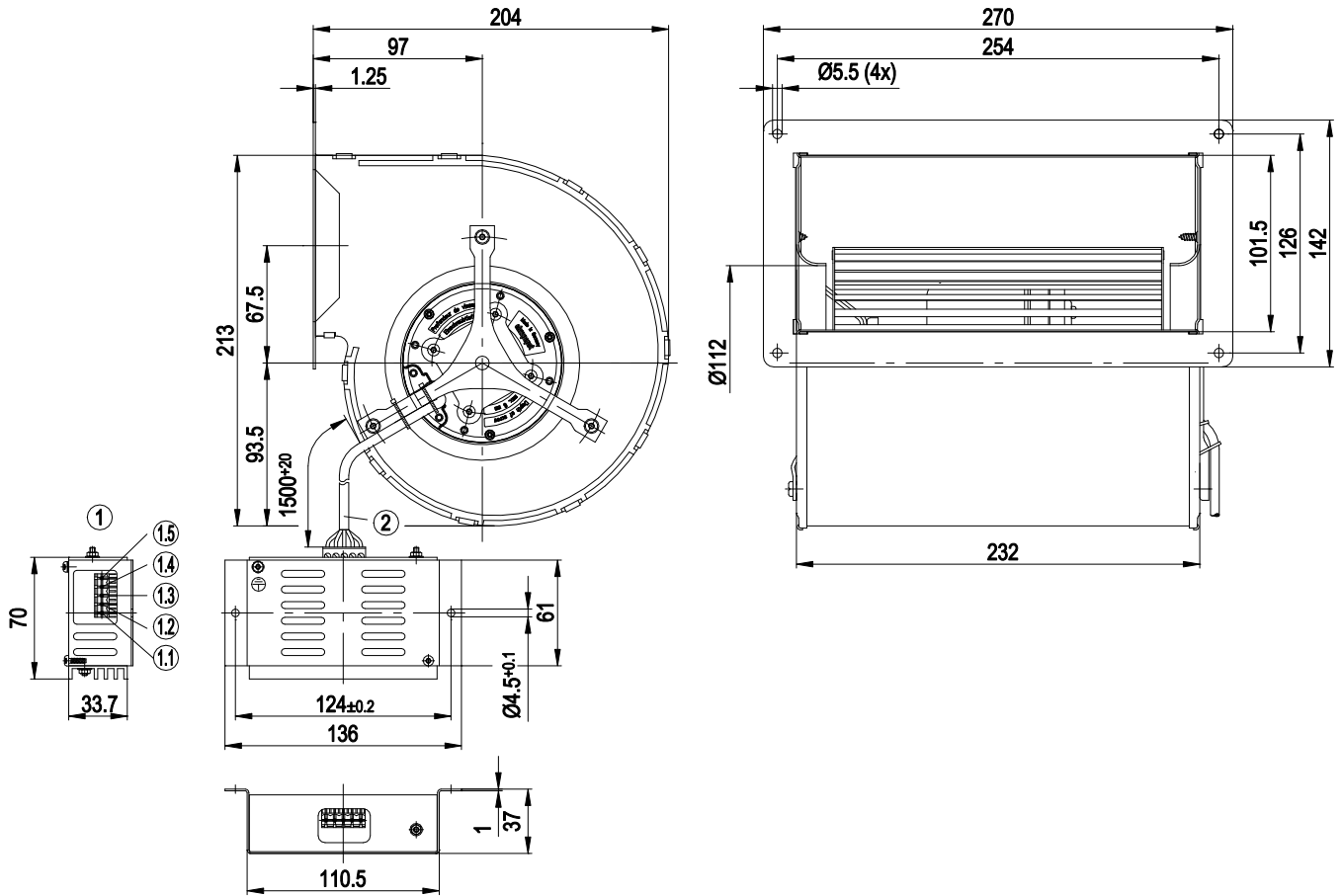
Mass	3.9 kg
Size	133 mm
Surface of rotor	Coated in black
Material of impeller	Sheet steel, hot-galvanised
Housing material	Sheet steel, hot-galvanised
Motor suspension	Motor anti-vibration mounted on both sides
Direction of rotation	Clockwise, seen on rotor
Type of protection	IP 42
Insulation class	"B"
Humidity class	F3-1
Max. permissible ambient motor temp. (transp./ storage)	+ 70 °C
Min. permissible ambient motor temp. (transp./storage)	- 40 °C
Mounting position	Any
Condensate discharge holes	None
Operation mode	S1
Motor bearing	Ball bearing with anti-freezing grease
Technical features	- Motor current limit - Control input 2-bit
Electrical leads	With plug
Motor protection	Reverse polarity and locked-rotor protection
Cable exit	Variable
Product conforming to standard	EN 60950-1
Approval	EAC



EC centrifugal fan

forward curved, dual inlet
with housing (flange)

Product drawing



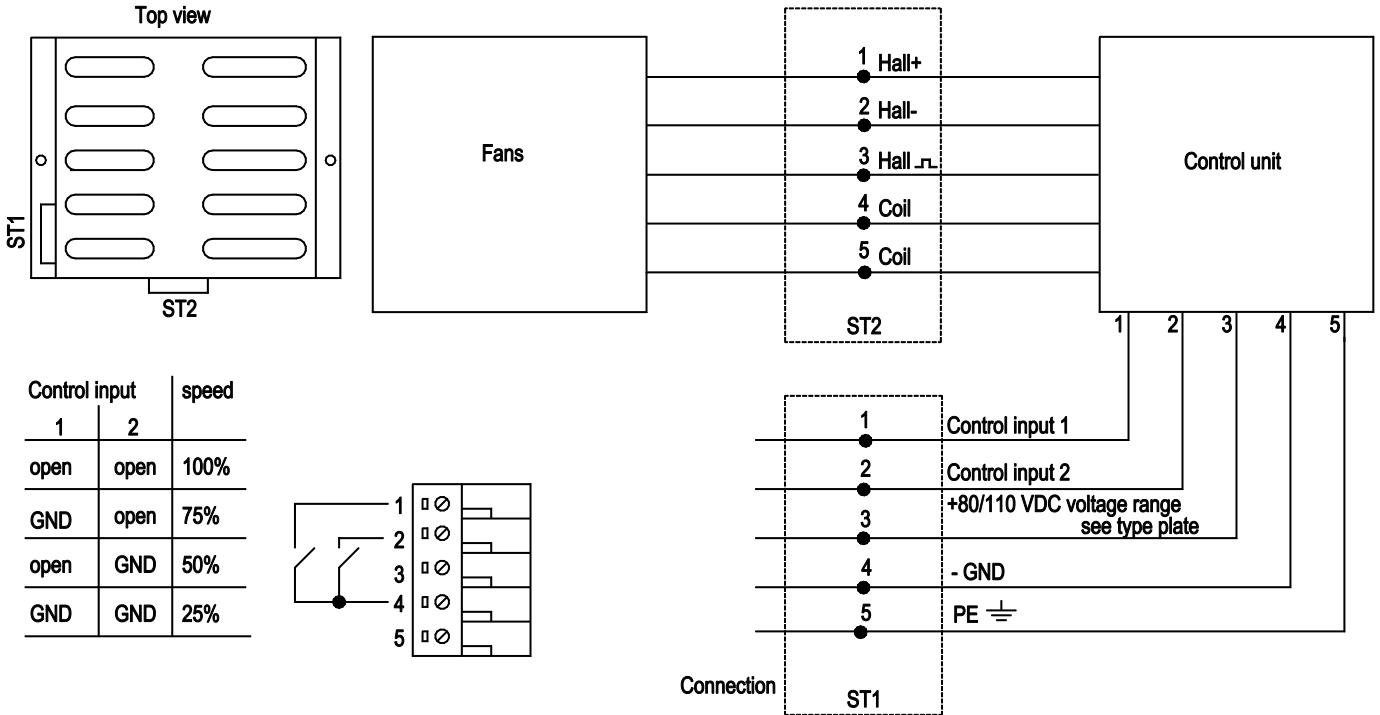
1	Accessory parts: Control unit 02004-1-0173 included in scope of delivery
	Connector housing 05001-4-6728 (Phoenix MSTB2.5/5-STBDWH:CC+-) for customer connection, included separately
1.1	Control input 1
1.2	Control input 2
1.3	+
1.4	-
1.5	PE
2	Connection line silicone 5x 0.5 mm ² with connector housing 79370-4-6728 (Phoenix MSTB 2.5/5-ST)
	If replacement required: External electronics - CHG012-AA01-01



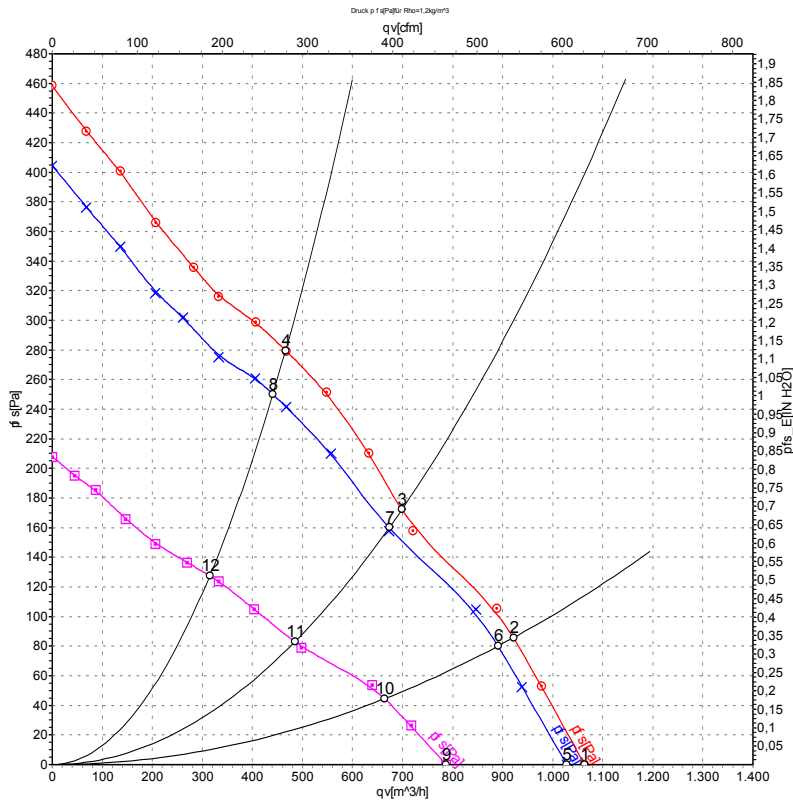
EC centrifugal fan

forward curved, dual inlet
with housing (flange)

Connection screen



Charts: Air flow



Measurement: LU-57736
 Measurement: LU-57735
 Measurement: LU-57737

Air performance measured as per ISO 5801 Installation category A. For detailed information on the measuring set-up, please contact ebmpapst. Suction-side noise levels: LwA measured as per ISO 13347 / LpA measured with 1m distance to fan axis. The values given are valid under the measuring conditions mentioned above and may vary according to the actual installation situation. With any deviation from the standard set-up, the specific values have to be checked and reviewed with the unit installed.

Measured values

	U	n	P _{ed}	I	qv	p _{fs}
	V	min ⁻¹	W	A	m ³ /h	Pa
1	121	1615	133	1.36	1065	0
2	121	1785	124	1.23	920	86
3	121	2050	112	1.06	700	171
4	121	2330	93	0.86	465	280
5	110	1550	120	1.30	1030	0
6	110	1715	111	1.18	890	80
7	110	1965	99	1.02	675	160
8	110	2200	80	0.81	440	250
9	67	1210	55	0.94	785	0
10	67	1305	49	0.83	665	45
11	67	1435	41	0.68	485	82
12	67	1585	33	0.57	315	128

U = Supply voltage · n = Speed · P_{ed} = Power input · I = Current draw · qv = Air flow · p_{fs} = Pressure increase

