

B1G160-AA19-37 ebmpapst Datasheet

sales@fansco.com

www.fansco.com

Limited partnership · Headquarters Muldingen
 County court Stuttgart · HRA 590344

General partner: Elektrobau Muldingen GmbH · Headquarters Muldingen
 County court Stuttgart · HRB 590142

Nominal data

Type	B1G160-AA19-37		
Motor	M1G074-CF		
Nominal voltage	VDC	24	24
Nominal voltage range	VDC	16 .. 28	16 .. 28
Frequency	Hz	-	-
Type of data definition		fa	fa
Speed	min ⁻¹	1250	1250
Power input	W	112	112
Current draw	A	5.6	5.6
Min. ambient temperature	°C	-25	-25
Max. ambient temperature	°C	+60	+60

ml = max. load · me = max. efficiency · fa = running at free air · cs = customer specs · cu = customer unit
 Subject to alterations

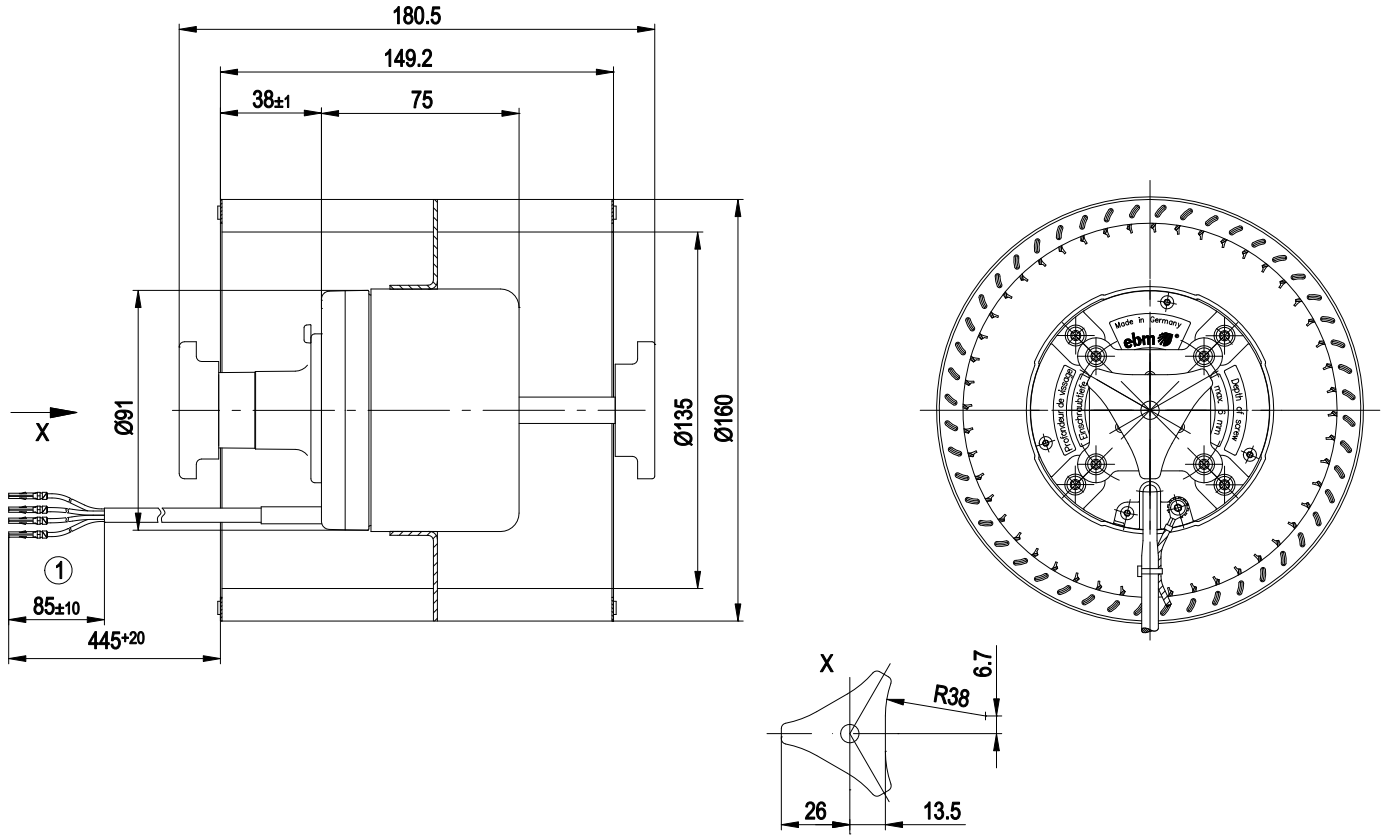


Technical features

Mass	2.3 kg
Size	160 mm
Surface of rotor	Coated in black
Material of impeller	Sheet steel, hot-galvanised
Housing material	Sheet steel, hot-galvanised
Direction of rotation	Counter-clockwise, seen on rotor
Type of protection	IP 42
Insulation class	"B"
Humidity class	F0
Max. permissible ambient motor temp. (transp./ storage)	+80 °C
Min. permissible ambient motor temp. (transp./storage)	-40 °C
Mounting position	Any
Condensate discharge holes	None
Operation mode	S1
Motor bearing	Ball bearing
Technical features	<ul style="list-style-type: none"> - Tach output - Motor current limit - Soft start - Control input 0-10 VDC / PWM
EMC interference immunity	Acc. to EN 61000-6-2 (industrial environment)
EMC interference emission	Acc. to EN 55022 (Class B)
Motor protection	Reverse polarity and locked-rotor protection
Cable exit	Variable
Protection class	I (if protective earth is connected by customer)
Product conforming to standard	EN 60950-1



Product drawing

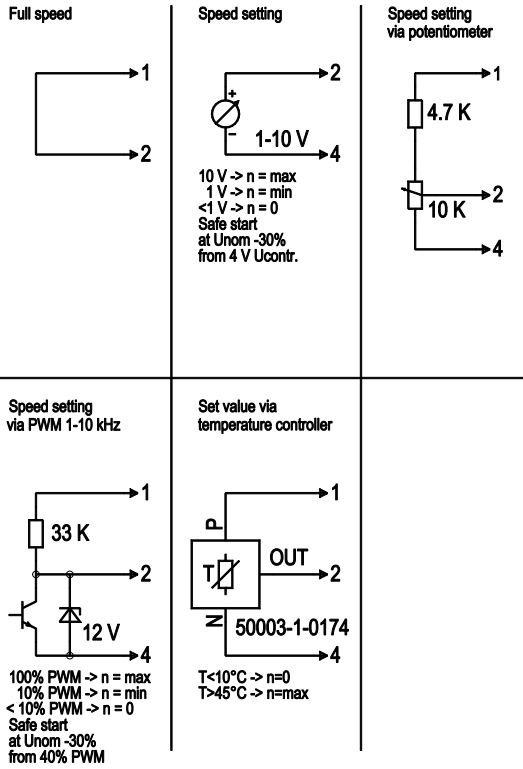


1 Connection line PVC AWG20; 4 x female connector Molex 39-00-0059, crimped



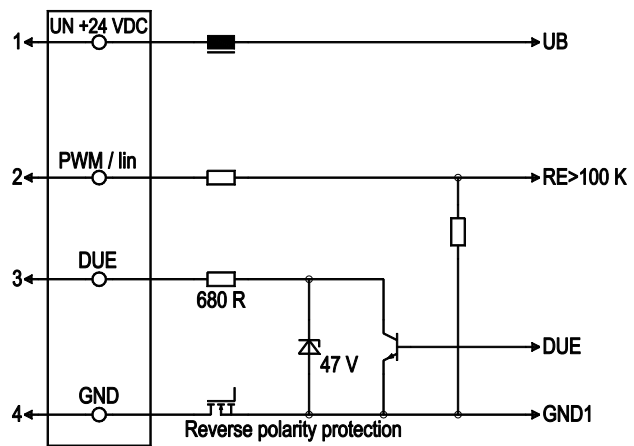
Connection screen

Customer circuit



Connection

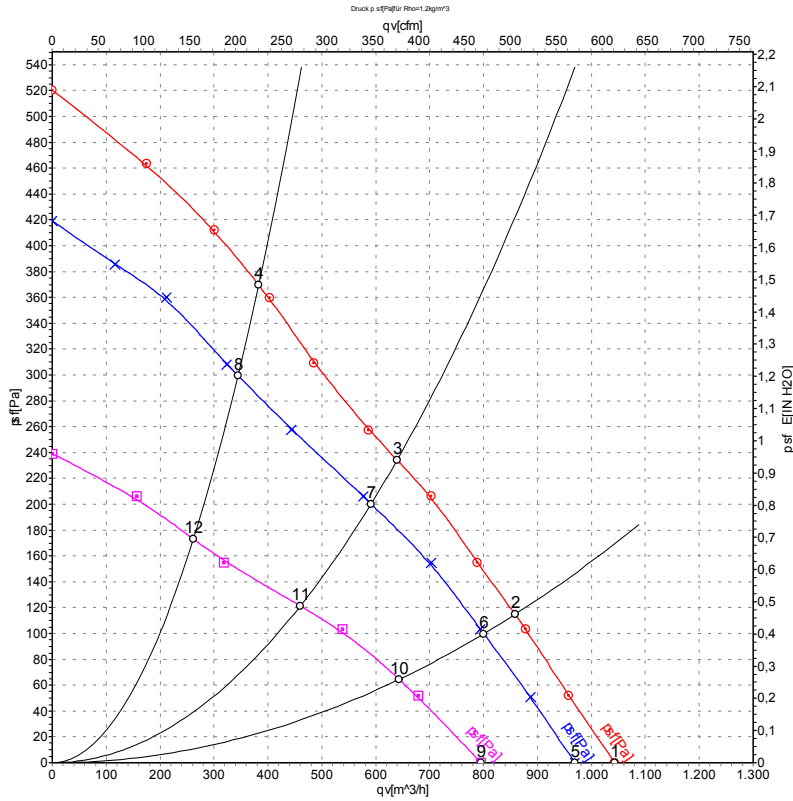
Fan / motor



Line	No.	Signal	Colour	Function / assignment
1	1	Un +24V	red	Power supply 24 VDC, residual ripple 3.5 %
1	2	PWM / lin	yellow	PWM / lin, control input, 0-10 V
1	3	DUE	white	Speed monitoring output, 3 pulses per revolution, Isink max = 10 mA
1	4	GND	blue	Reference mass



Charts: Air flow



Measurement: LU-51361
 Measurement: LU-51360
 Measurement: LU-51362

Air performance measured as per ISO 5801 Installation category A. For detailed information on the measuring set-up, please contact ebmpapst. Suction-side noise levels: LwA measured as per ISO 13347 / LpA measured with 1m distance to fan axis. The values given are valid under the measuring conditions mentioned above and may vary according to the actual installation situation. With any deviation from the standard set-up, the specific values have to be checked and reviewed with the unit installed.

Measured values

	U	n	P _e	I	qv	p _{sf}
	V	min ⁻¹	W	A	m ³ /h	Pa
1	28	1315	139	6.21	1045	0
2	28	1515	124	5.31	860	115
3	28	1780	112	4.55	640	234
4	28	2095	99	3.92	385	370
5	24	1250	112	5.60	970	0
6	24	1410	101	4.86	800	100
7	24	1660	91	4.23	590	200
8	24	1895	75	3.48	345	300
9	16	1020	62	4.30	795	0
10	16	1145	53	3.69	645	65
11	16	1290	43	3.03	460	122
12	16	1445	35	2.51	260	173

