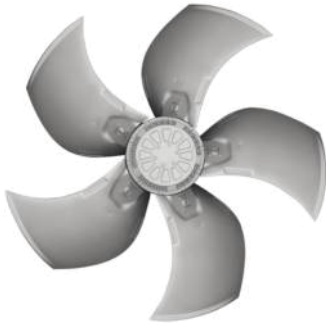


# AC axial fan

sickled blades (S series)



A8D800-AN01-01 ebmpapst Datasheet FansCo

sales@fansco.com

www.fansco.com

## Nominal data

<b>Type</b>	<b>A8D800-AN01-01</b>		
<b>Motor</b>	<b>M8D138-HF</b>		
Phase		3~	3~
Nominal voltage	VAC	400	400
Connection		$\Delta$	Y
Frequency	Hz	50	50
Type of data definition		ml	ml
Valid for approval / standard		CE	CE
Speed	min <sup>-1</sup>	680	540
Power input	W	790	480
Current draw	A	2.15	1.05
Max. back pressure	Pa	100	60
Max. ambient temperature	°C	55	55
Starting current	A	5.5	

ml = Max. load · me = Max. efficiency · fa = Running at free air · cs = Customer specs · cu = Customer unit  
Subject to alterations

## Data according to ErP directive

Installation category	A
Efficiency category	Static
Variable speed drive	No
Specific ratio*	1.00

\* Specific ratio =  $1 + p_b / 100\,000\text{ Pa}$

		Actual	Request 2013	Request 2015
Overall efficiency $\eta_{es}$	%	32.8	28.8	32.8
Efficiency grade N		40	36	40
Power input $P_e$	kW	0.72		
Air flow $q_v$	m <sup>3</sup> /h	10375		
Pressure increase $p_{fs}$	Pa	81		
Speed n	min <sup>-1</sup>	685		

Data definition with optimum efficiency. LU-100468  
The ErP data is determined using a motor-impeller combination in a standardised measurement configuration.



# AC axial fan

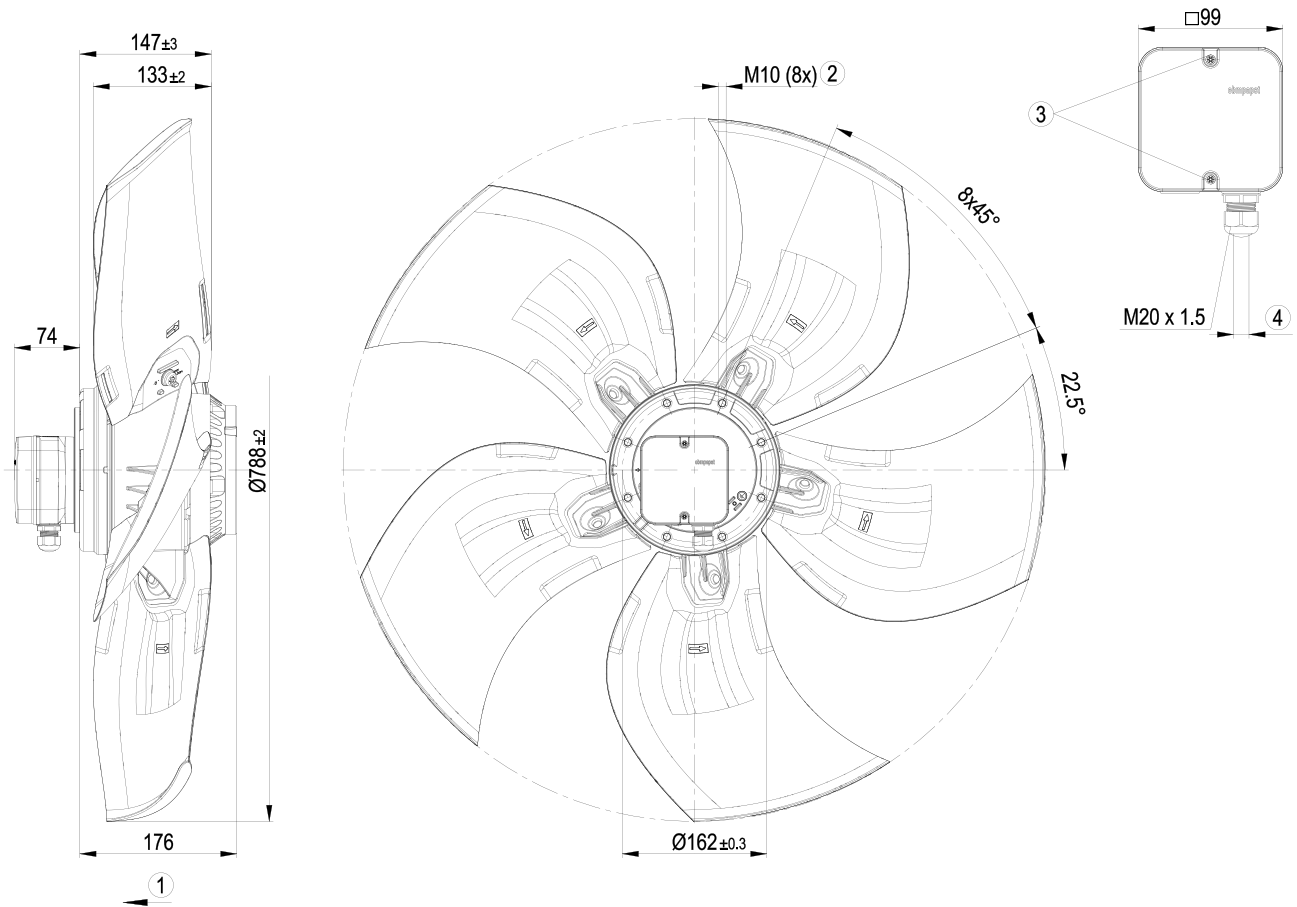
sickled blades (S series)

## Technical features

Mass	22.2 kg
Size	800 mm
Surface of rotor	Cast in aluminium
Material of terminal box	PP plastic
Material of blades	Die-cast aluminium
Number of blades	5
Blade angle	- 5
Direction of air flow	"V"
Direction of rotation	Clockwise, seen on rotor
Type of protection	IP 54
Insulation class	"F"
Humidity class	F3-1
Max. permissible ambient motor temp. (transp./ storage)	+ 80 °C
Min. permissible ambient motor temp. (transp./storage)	- 40 °C
Mounting position	Any
Condensate discharge holes	On rotor and stator sides
Operation mode	S1
Motor bearing	Ball bearing
Touch current acc. IEC 60990 (measuring network Fig. 4, TN system)	<= 3.5 mA
Electrical leads	Via terminal box
Motor protection	Thermal overload protector (TOP) brought out
Cable exit	Axial
Protection class	I (if protective earth is connected by customer)
Product conforming to standard	EN 60034; EN 61800-5-1; CE
Approval	EAC; VDE



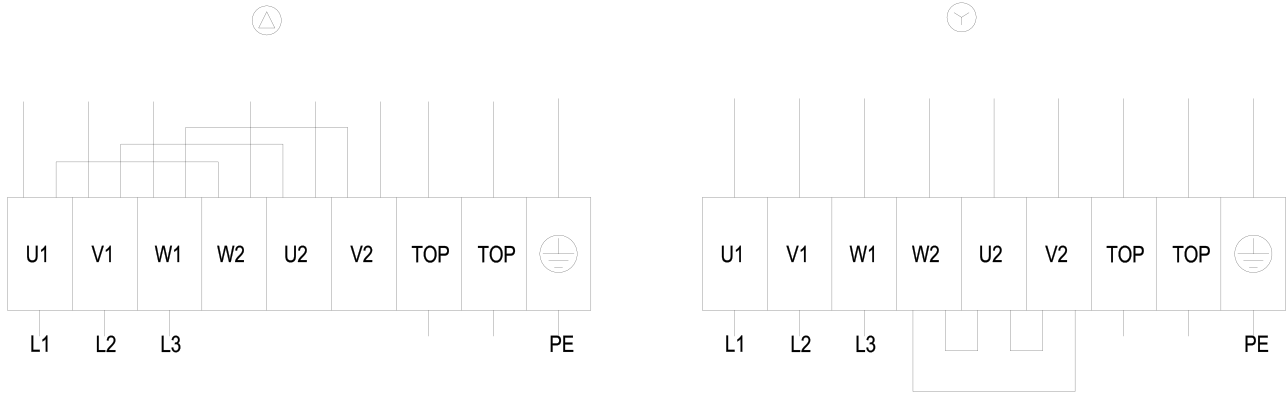
Product drawing



1	Direction of air flow "V"
2	Depth of screw max. 18 mm
3	Tightening torque 1.5±0.2 Nm
4	Cable diameter: min. 7 mm, max. 14 mm, tightening torque: 2±0.3 Nm



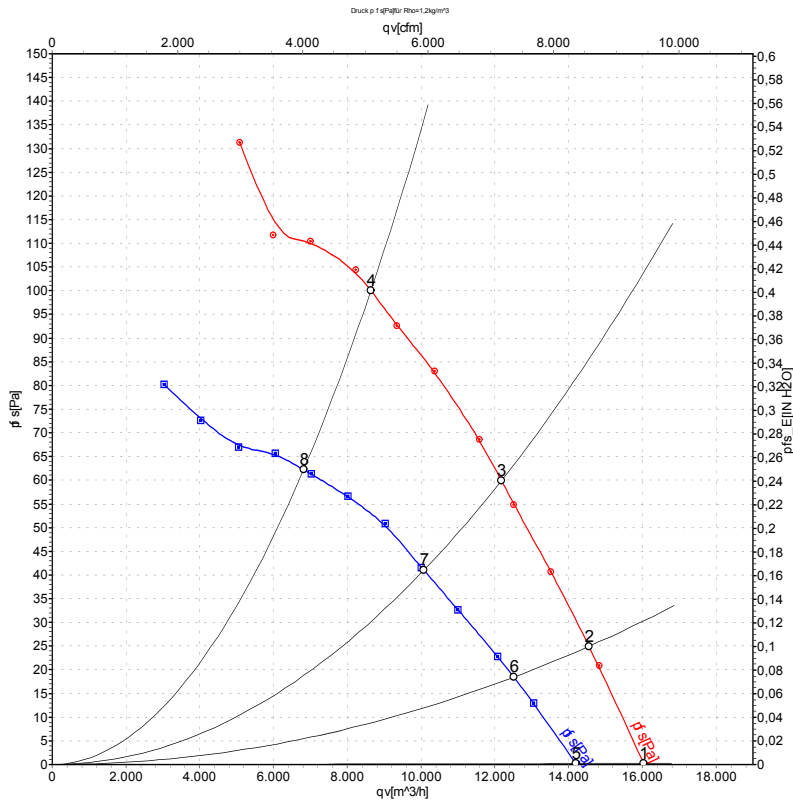
**Connection screen**



Δ	Delta connection	Y	Star connection	L1	= U1 = black
L2	= V1 = blue	L3	= W1 = brown	W2	yellow
U2	green	V2	white	TOP	2 x grey
PE	green/yellow				



## Charts: Air flow 50 Hz



Air performance measured as per ISO 5801 Installation category A. For detailed information on the measuring set-up, please contact ebm-papst. Suction-side noise levels: LwA measured as per ISO 13347 / LpA measured with 1m distance to fan axis. The values given are valid under the measuring conditions mentioned above and may vary according to the actual installation situation. With any deviation from the standard set-up, the specific values have to be checked and reviewed with the unit installed.

## Measured values

	Conn.	U	f	n	P <sub>e</sub>	I	LpA <sub>in</sub>	LwA <sub>in</sub>	qv	p <sub>fs</sub>
		V	Hz	min <sup>-1</sup>	W	A	dB(A)	dB(A)	m <sup>3</sup> /h	Pa
1	Δ	400	50	710	532	1.98	65	70	16040	0
2	Δ	400	50	700	602	2.04	61	67	14550	25
3	Δ	400	50	695	673	2.06	61	67	12180	60
4	Δ	400	50	680	790	2.15	65	71	8645	100
5	Y	400	50	630	354	0.78	62	67	14190	0
6	Y	400	50	605	398	0.86	58	64	12510	18
7	Y	400	50	575	438	0.93	58	63	10080	41
8	Y	400	50	540	480	1.05	59	65	6815	62

Conn. = Connection · U = Supply voltage · f = Frequency · n = Speed · P<sub>e</sub> = Power input · I = Current draw · LpA<sub>in</sub> = Sound pressure level inlet side · LwA<sub>in</sub> = Sound power level inlet side  
 qv = Air flow · p<sub>fs</sub> = Pressure increase

