

A6E450-AJ08-11

AC axial fan

sickle-shaped blades (S series)



A6E450-AJ08-11 ebmpapst Datasheet FansCo

sales@fansco.com

www.fansco.com

Nominal data

Type	A6E450-AJ08-11	
Motor	M6E074-EI	
Phase		1~
Nominal voltage	VAC	230
Frequency	Hz	50
Method of obtaining data		ml
Valid for approval/standard		-
Speed (rpm)	min ⁻¹	850
Power consumption	W	160
Current draw	A	0.7
Capacitor	μF	4
Capacitor voltage	VDB	400
Capacitor standard		S0 (CE)
Max. back pressure	Pa	50
Max. back pressure	in. wg	0.2
Min. ambient temperature	°C	-25
Max. ambient temperature	°C	55
Starting current	A	0.91

ml = Max. load · me = Max. efficiency · fa = Free air · cs = Customer specification · ce = Customer equipment
Subject to change



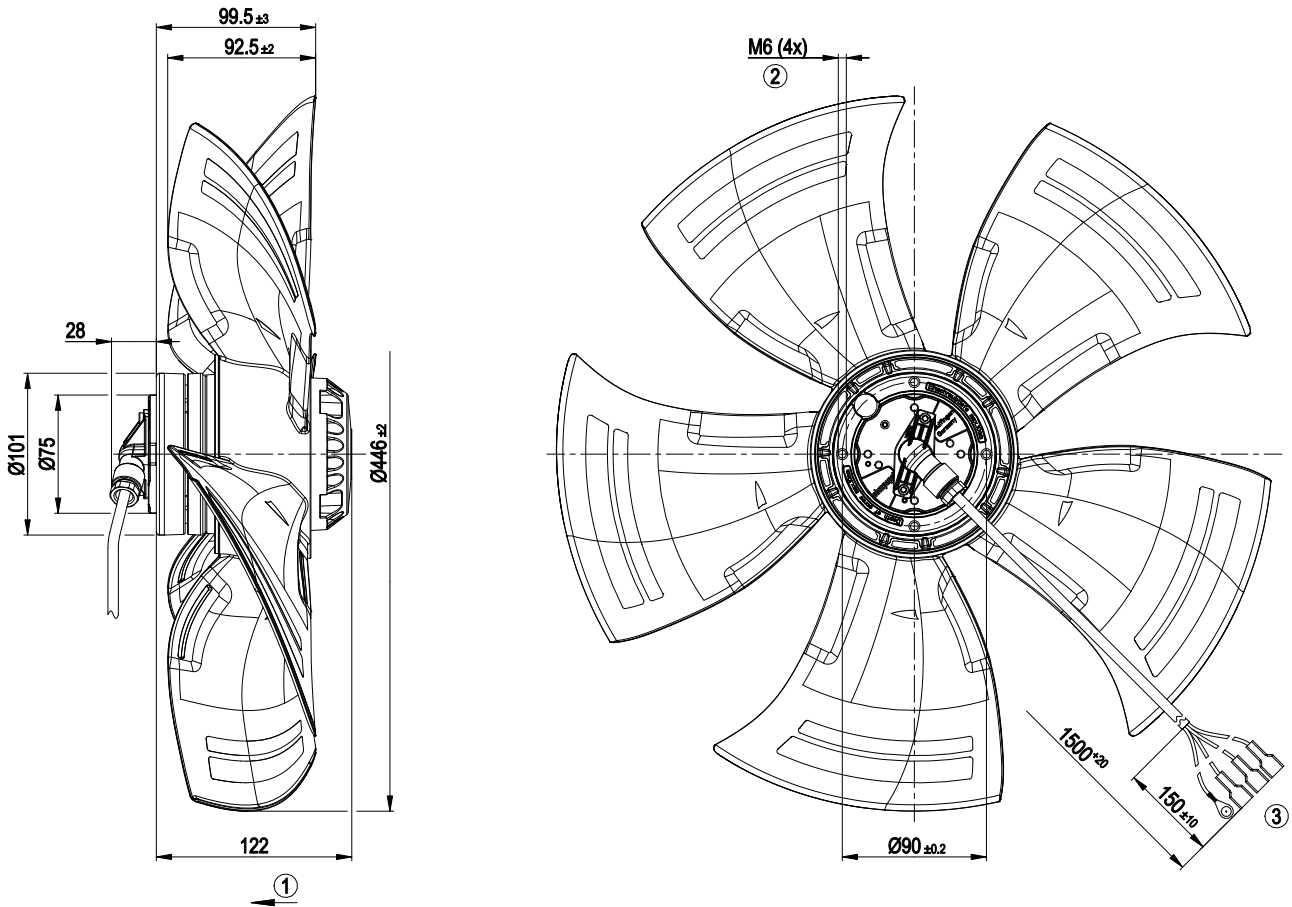
Technical description

Weight	3.7 kg
Size	450 mm
Motor size	74
Rotor surface	Painted black
Impeller material	PP plastic
Number of blades	5
Airflow direction	V
Direction of rotation	Counterclockwise, viewed toward rotor
Degree of protection	IP44; installation- and position-dependent as per EN 60034-5
Insulation class	"F"
Moisture (F) / Environmental (H) protection class	F4-1; H2
Max. permitted ambient temp. for motor (transport/storage)	+ 80 °C
Min. permitted ambient temp. for motor (transport/storage)	- 40 °C
Installation position	Shaft horizontal or rotor on bottom; rotor on top on request
Condensation drainage holes	On rotor side
Mode	S1
Motor bearing	Ball bearing
Touch current according to IEC 60990 (measuring circuit Fig. 4, TN system)	< 0.75 mA
Motor protection	Thermal overload protector (TOP) internally connected
With cable	Lateral
Protection class	I (with customer connection of protective earth)
Conformity with standards	EN 60335-1

AC axial fan

sickle-shaped blades (S series)

Product drawing



1	Airflow direction "V"
2	Max. clearance for screw 10 mm
3	Cable ETFE AWG20, 3x flat push-on receptacle 6.3x0.8 with insulating sleeve, 1x ring terminal dia. 6.3 (green/yellow) crimped

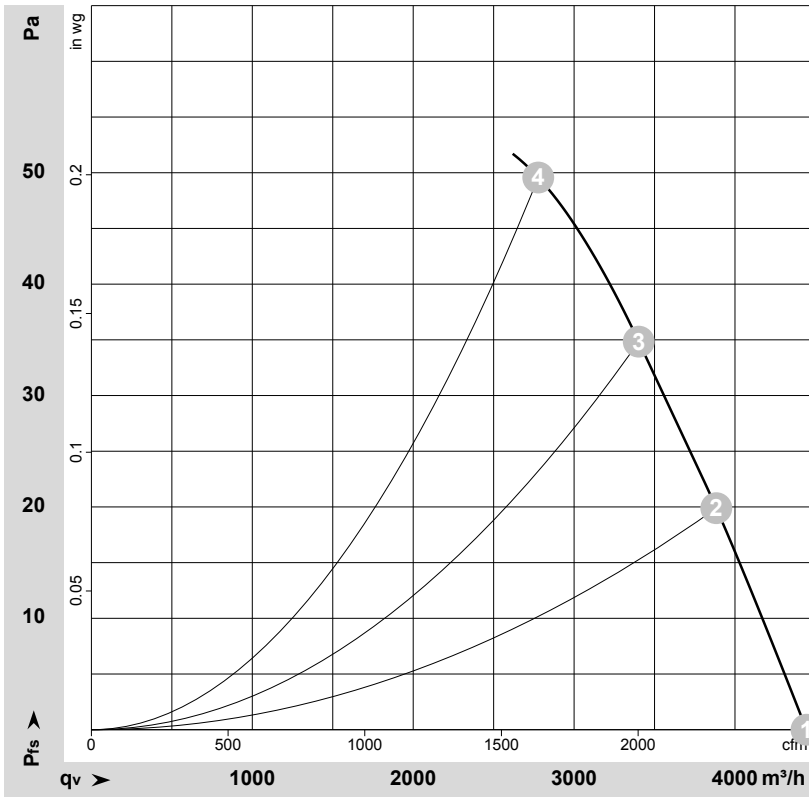
Connection diagram



U1	blue	Z	brown	U2	black
PE	green/yellow				



Curves: Air performance 50 Hz



$\rho = 1.15 \text{ kg/m}^3 \pm 2 \%$

Measurement: LU-178599-1

Air performance measured according to ISO 5801 installation category A. For detailed information on the measurement setup, contact ebmpapst. Intake sound level: Sound power level according to ISO 13347 / sound pressure level measured at 1 m distance from fan axis. The values given are valid under the specified measuring conditions and may vary due to conditions of installation. For deviations from the standard configuration, the parameters have to be checked on the installed unit.

Measured values

	U	f	n	P _e	I	q _v	p _{fs}	q _v	p _{fs}
	V	Hz	min ⁻¹	W	A	m ³ /h	Pa	cfm	in. wg
1	230	50	905	139	0.61	4445	0	2615	0.00
2	230	50	885	147	0.65	3885	20	2285	0.08
3	230	50	870	152	0.67	3400	35	2000	0.14
4	230	50	850	160	0.70	2775	50	1635	0.20

U = Voltage · f = Frequency · n = Speed (rpm) · P_e = Power consumption · I = Current draw · q_v = Air flow · p_{fs} = Pressure increase

