

AC axial fan

sickled blades (S series)



A6E450-AJ08-02 ebmpapst Datasheet
 sales@fansco.com
 www.fansco.com

Limited partnership · Headquarters Muldingen
 County court Stuttgart · HRA 590344

General partner Elektrobau Muldingen GmbH · Headquarters Muldingen
 County court Stuttgart · HRB 590142

Nominal data

| | | |
|-------------------------------|-------------------|---------|
| Type | A6E450-AJ08-02 | |
| Motor | M6E074-EI | |
| Phase | | 1~ |
| Nominal voltage | VAC | 230 |
| Frequency | Hz | 50 |
| Type of data definition | | ml |
| Valid for approval / standard | | - |
| Speed (rpm) | min ⁻¹ | 850 |
| Power input | W | 160 |
| Current draw | A | 0.7 |
| Motor capacitor | µF | 4 |
| Capacitor voltage | VDB | 400 |
| Capacitor standard | | S0 (CE) |
| Max. back pressure | Pa | 50 |
| Min. ambient temperature | °C | -25 |
| Max. ambient temperature | °C | 55 |
| Starting current | A | 0.91 |

ml = Max. load · me = Max. efficiency · fa = Running at free air · cs = Customer specs · cu = Customer unit
 Subject to alterations



AC axial fan

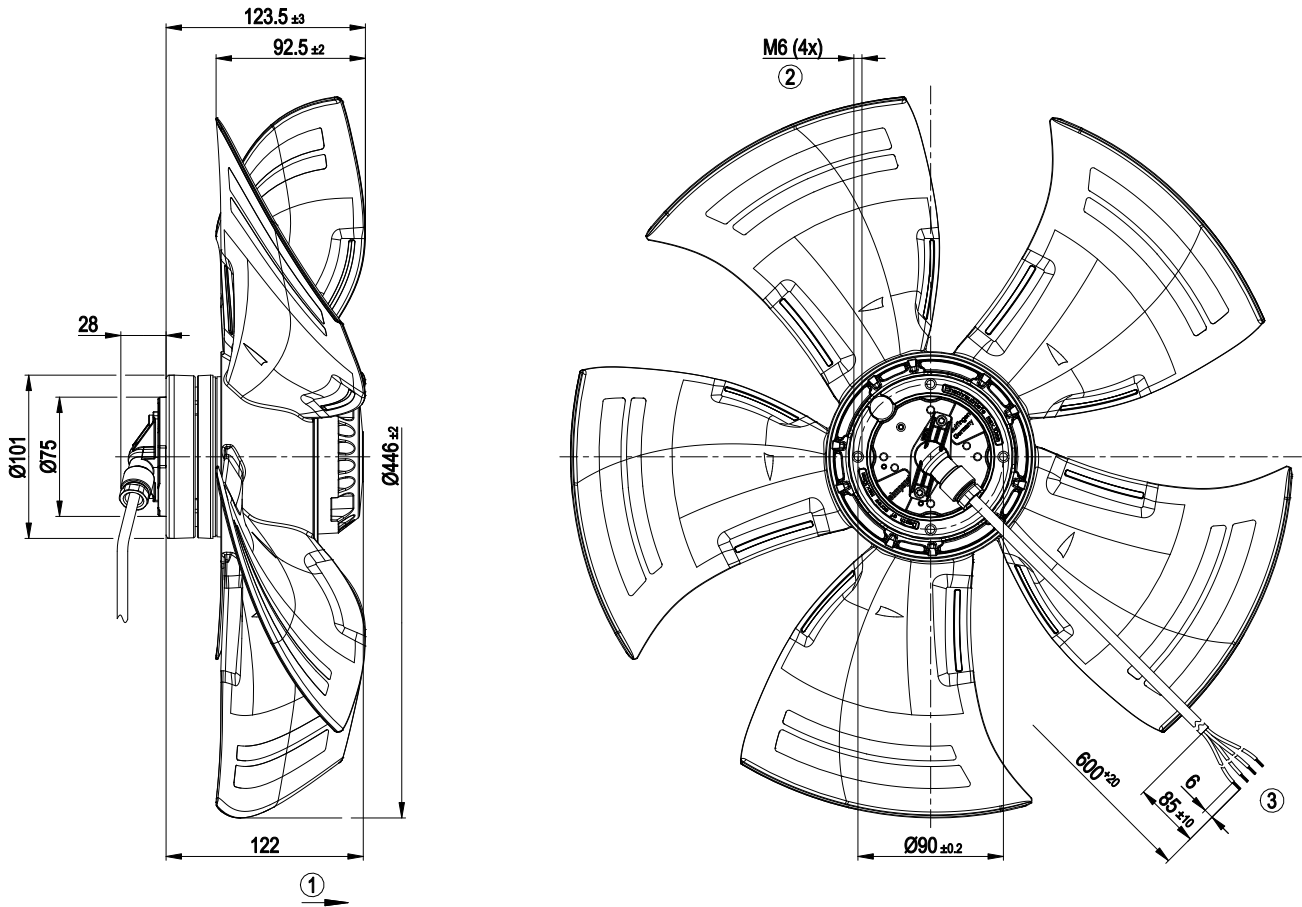
sickled blades (S series)

Technical features

| | |
|---|---|
| Mass | 3.9 kg |
| Size | 450 mm |
| Surface of rotor | Coated in black |
| Material of impeller | PP plastic |
| Number of blades | 5 |
| Direction of air flow | "A" |
| Direction of rotation | Clockwise, seen on rotor |
| Type of protection | IP 44; Depending on installation and position as per EN 60034-5 |
| Insulation class | "F" |
| Humidity (F)/environmental protection class (H) | F4-1 |
| Max. permissible ambient motor temp. (transp./ storage) | + 80 °C |
| Min. permissible ambient motor temp. (transp./storage) | - 40 °C |
| Mounting position | Shaft horizontal or rotor on bottom; rotor on top on request |
| Condensate discharge holes | Rotor-side |
| Operation mode | S1 |
| Motor bearing | Ball bearing |
| Touch current acc. IEC 60990 (measuring network Fig. 4, TN system) | < 0.75 mA |
| Motor protection | Thermal overload protector (TOP) wired internally |
| Cable exit | Lateral |
| Protection class | I (if protective earth is connected by customer) |
| Product conforming to standard | EN 60335-1 |

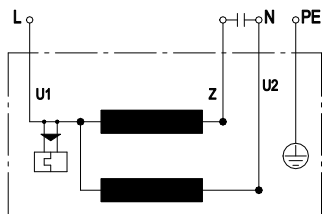


Product drawing



| | |
|---|---|
| 1 | Direction of air flow "A" |
| 2 | Thread reach max. 10 mm |
| 3 | Connection line ETFE AWG 20, 4x lead tips crimped |

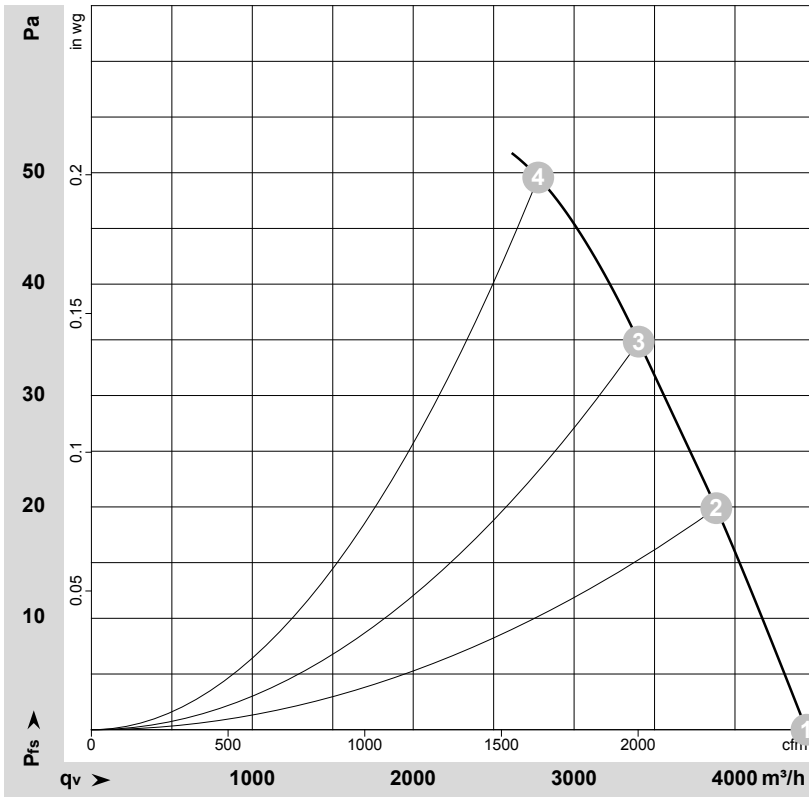
Connection screen



| | | | | | |
|----|--------------|---|-------|----|-------|
| U1 | blue | Z | brown | U2 | black |
| PE | green/yellow | | | | |



Charts: Air flow 50 Hz



$\rho = 1.15 \text{ kg/m}^3 \pm 2 \%$

Measurement: LU-178599-1

Air performance measured as per ISO 5801 Installation category A. For detailed information on the measuring set-up, please contact ebmpapst. Suction-side noise levels: L_{WA} measured as per ISO 13347 / L_{pA} measured with 1m distance to fan axis. The values given are valid under the measuring conditions mentioned above and may vary according to the actual installation situation. With any deviation from the standard set-up, the specific values have to be checked and reviewed with the unit installed.

Measured values

| | U | f | n | P _e | I | q _v | P _{fs} | q _v | P _{fs} |
|---|-----|----|-------------------|----------------|------|-------------------|-----------------|----------------|--------------------|
| | V | Hz | min ⁻¹ | W | A | m ³ /h | Pa | cfm | inH ₂ O |
| 1 | 230 | 50 | 905 | 139 | 0.61 | 4445 | 0 | 2615 | 0.00 |
| 2 | 230 | 50 | 885 | 147 | 0.65 | 3885 | 20 | 2285 | 0.08 |
| 3 | 230 | 50 | 870 | 152 | 0.67 | 3400 | 35 | 2000 | 0.14 |
| 4 | 230 | 50 | 850 | 160 | 0.70 | 2775 | 50 | 1635 | 0.20 |

U = Supply voltage · f = Frequency · n = Speed (rpm) · P_e = Power input · I = Current draw · q_v = Air flow · P_{fs} = Pressure increase

