

A6D800-AN01-02 ebmpapst Datasheet FansCo

sales@fansco.com

www.fansco.com

Nominal data

Type	A6D800-AN01-02		
Motor	M6D138-HF		
Phase		3~	3~
Nominal voltage	VAC	400	400
Connection		Δ	Y
Frequency	Hz	50	50
Type of data definition		ml	ml
Valid for approval / standard		CE	CE
Speed	min ⁻¹	870	610
Power input	W	1450	810
Current draw	A	3.2	1.64
Max. back pressure	Pa	150	75
Min. ambient temperature	°C	-40	-40
Max. ambient temperature	°C	60	60
Starting current	A	9	3

ml = Max. load · me = Max. efficiency · fa = Running at free air · cs = Customer specs · cu = Customer unit
Subject to alterations

Data according to ErP directive

Installation category	A
Efficiency category	Static
Variable speed drive	No
Specific ratio*	1.00

* Specific ratio = $1 + p_{fs} / 100\,000\text{ Pa}$

		Actual	Request 2013	Request 2015
Overall efficiency η_{es}	%	36.9	30.3	34.3
Efficiency grade N		42.6	36	40
Power input P_e	kW	1.27		
Air flow q_v	m ³ /h	14005		
Pressure increase p_{fs}	Pa	121		
Speed n	min ⁻¹	885		

Data definition with optimum efficiency. LU-101304
The ErP data is determined using a motor-impeller combination in a standardised measurement configuration.



AC axial fan

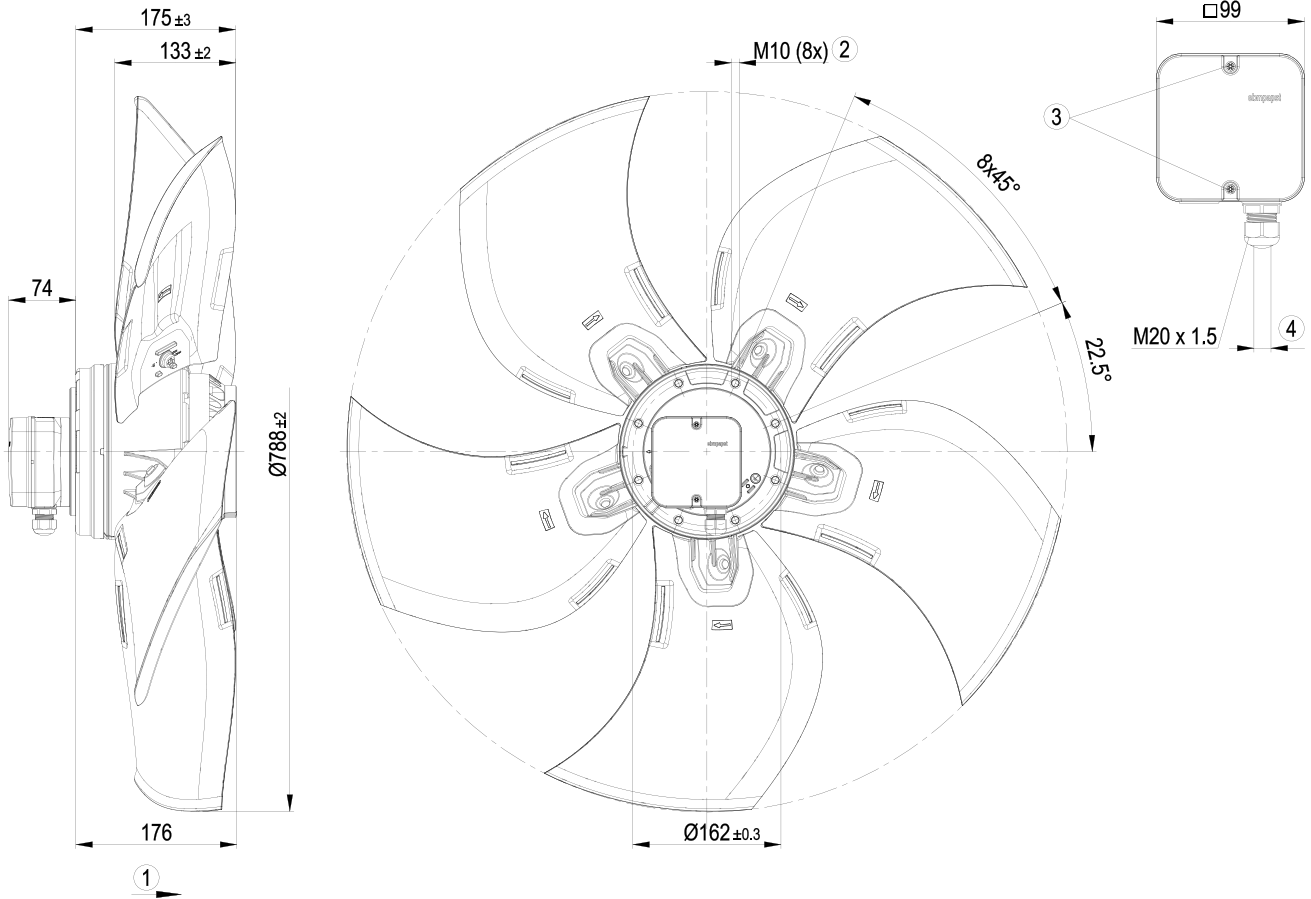
sickled blades (S series)

Technical features

Mass	22.7 kg
Size	800 mm
Surface of rotor	Cast in aluminium
Material of terminal box	ABS plastic, black
Material of blades	Die-cast aluminium
Number of blades	5
Blade angle	- 5
Direction of air flow	"A"
Direction of rotation	Counter-clockwise, seen on rotor
Type of protection	IP 54
Insulation class	"F"
Humidity class	F3-1
Max. permissible ambient motor temp. (transp./ storage)	+ 80 °C
Min. permissible ambient motor temp. (transp./storage)	- 40 °C
Mounting position	Any
Condensate discharge holes	On rotor and stator sides
Operation mode	S1
Motor bearing	Ball bearing
Touch current acc. IEC 60990 (measuring network Fig. 4, TN system)	<= 3.5 mA
Electrical leads	Via terminal box
Motor protection	Thermal overload protector (TOP) brought out
Cable exit	Axial
Protection class	I (if protective earth is connected by customer)
Product conforming to standard	EN 60034; EN 61800-5-1; CE
Approval	EAC; VDE



Product drawing



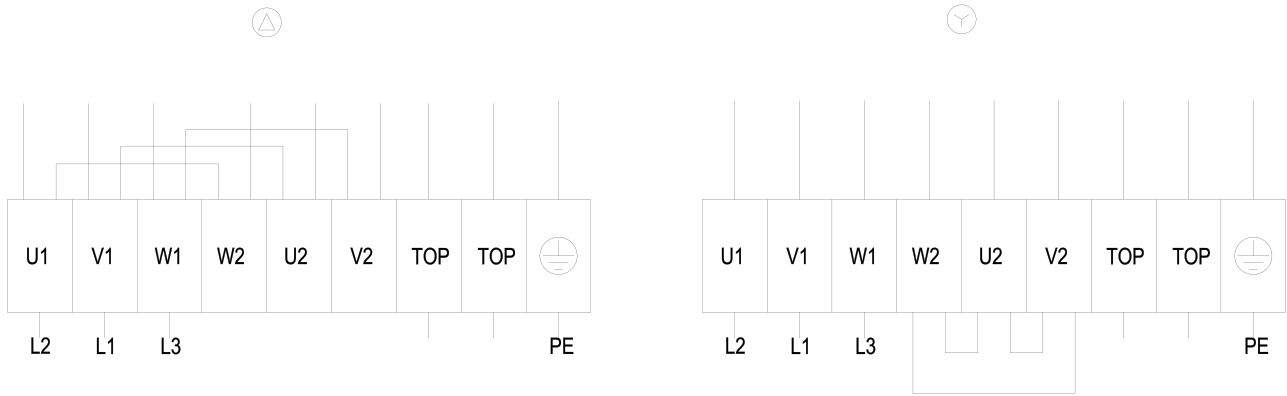
1	Direction of air flow "A"
2	Screw depth max. 18 mm
3	Tightening torque 1.5 Nm±0.2 Nm
4	Cable diameter: min. 7 mm, max. 14 mm, tightening torque: 2±0.3 Nm



AC axial fan

sickled blades (S series)

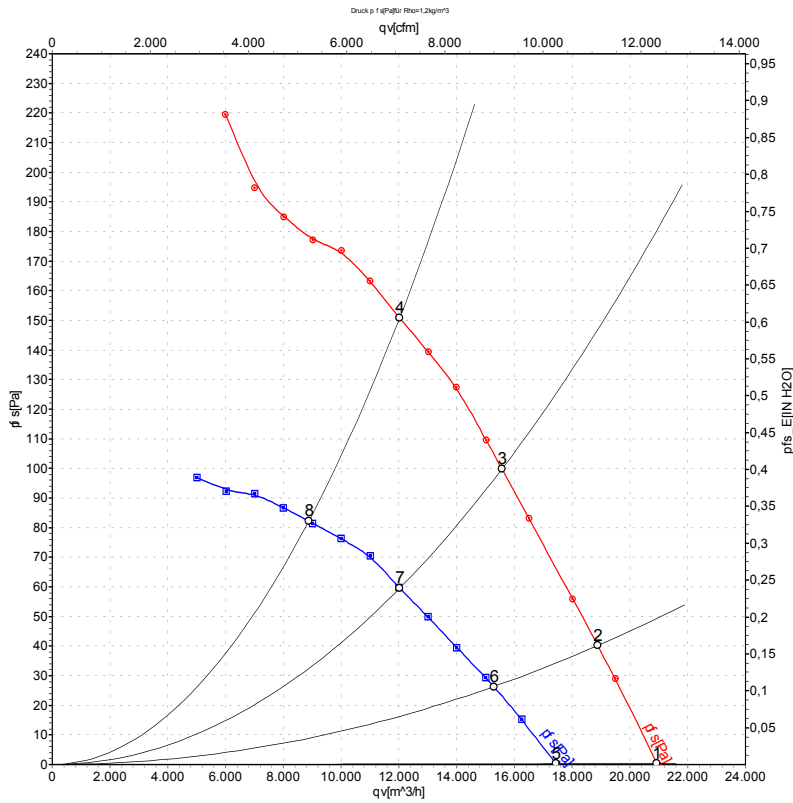
Connection screen



Δ	Delta connection	Y	Star connection	L1	= V1 = blue
L2	= U1 = black	L3	= W1 = brown	W2	yellow
U2	green	V2	white	TOP	2 x grey
PE	green/yellow				



Charts: Air flow 50 Hz



Air performance measured as per ISO 5801 Installation category A. For detailed information on the measuring set-up, please contact ebm-papst. Suction-side noise levels: LwA measured as per ISO 13347 / LpA measured with 1m distance to fan axis. The values given are valid under the measuring conditions mentioned above and may vary according to the actual installation situation. With any deviation from the standard set-up, the specific values have to be checked and reviewed with the unit installed.

Measured values

	Conn.	U	f	n	P _e	I	LpA _{in}	LwA _{in}	qv	P _{fs}
		V	Hz	min ⁻¹	W	A	dB(A)	dB(A)	m ³ /h	Pa
1	Δ	400	50	925	936	2.30	68	75	20955	0
2	Δ	400	50	910	1066	2.45	65	72	18890	40
3	Δ	400	50	895	1225	2.62	65	72	15570	100
4	Δ	400	50	870	1450	3.20	68	74	12030	150
5	Y	400	50	780	661	1.25	65	71	17450	0
6	Y	400	50	745	723	1.37	61	68	15280	26
7	Y	400	50	695	786	1.50	60	66	12030	60
8	Y	400	50	610	810	1.64	61	67	8880	82

Conn. = Connection · U = Supply voltage · f = Frequency · n = Speed · P_e = Power input · I = Current draw · LpA_{in} = Sound pressure level inlet side · LwA_{in} = Sound power level inlet side
 qv = Air flow · P_{fs} = Pressure increase

