

**ebm-papst Ventilator (Shanghai) Co.,Ltd.**

No.418, Hua Jing Road, Wai Gao Qiao Free Trade Zone, Pudong

A4Q230-AD03-09 ebmpapst Datasheet

sales@fansco.com

www.fansco.com

## Nominal data

Type	M4Q045-CA03-51		
Motor	M4Q045-CA		
Phase		1~	1~
Nominal voltage	VAC	230	230
Frequency	Hz	50	60
Method of obtaining data		me	me
Valid for approval/standard		CE	CE
Speed (rpm)	min <sup>-1</sup>	1300	1550
Power consumption	W	36	34
Power output	W	10	9
Current draw	A	0.25	0.22
Min. ambient temperature	°C	-30	-30
Max. ambient temperature	°C	40	40
Starting current	A	0.33	0.3

ml = Max. load · me = Max. efficiency · fa = Free air · cs = Customer specification · ce = Customer equipment  
Subject to change

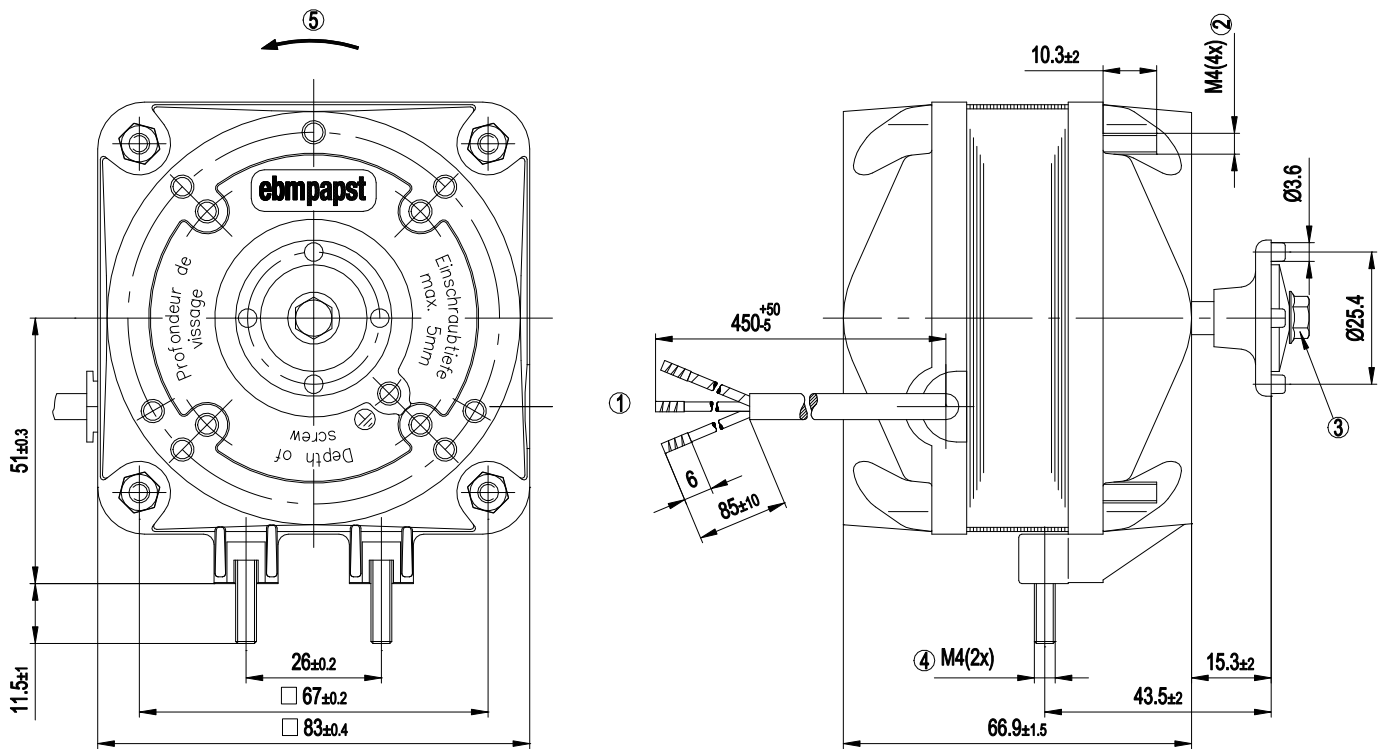


### Technical description

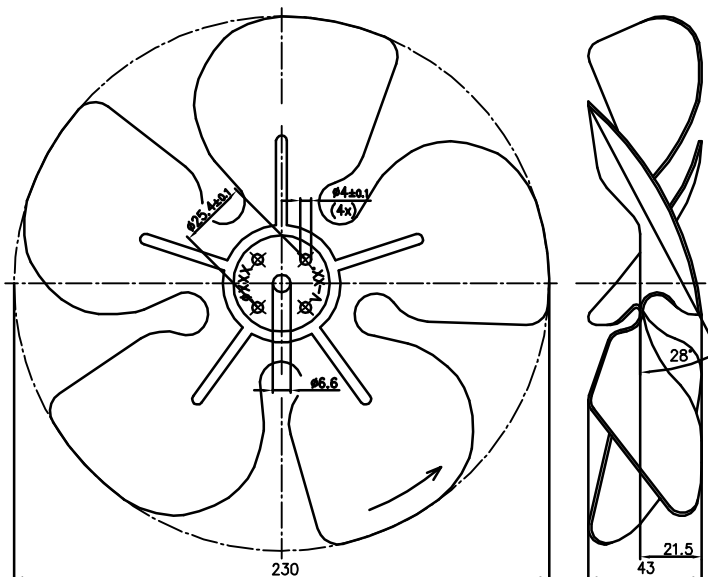
<b>Weight</b>	1.1 kg
<b>Fan size</b>	45 mm
<b>Bearing shield material</b>	Die-cast aluminum
<b>Direction of rotation</b>	Counterclockwise, viewed toward rotor
<b>Degree of protection</b>	IP42; installation- and position-dependent
<b>Insulation class</b>	"B"
<b>Max. permitted ambient temp. for motor (transport/storage)</b>	+ 80 °C
<b>Min. permitted ambient temp. for motor (transport/storage)</b>	- 40 °C
<b>Installation position</b>	Shaft horizontal
<b>Condensation drainage holes</b>	None
<b>Mode</b>	S1
<b>Motor bearing</b>	Calotte bearing
<b>Touch current according to IEC 60990 (measuring circuit Fig. 4, TN system)</b>	< 0.75 mA
<b>Motor protection</b>	Impedance protection
<b>With cable</b>	Lateral
<b>Protection class</b>	I (with customer connection of protective earth)
<b>Conformity with standards</b>	EN 60335-1; CE
<b>Approval</b>	EAC; VDE ; CCC



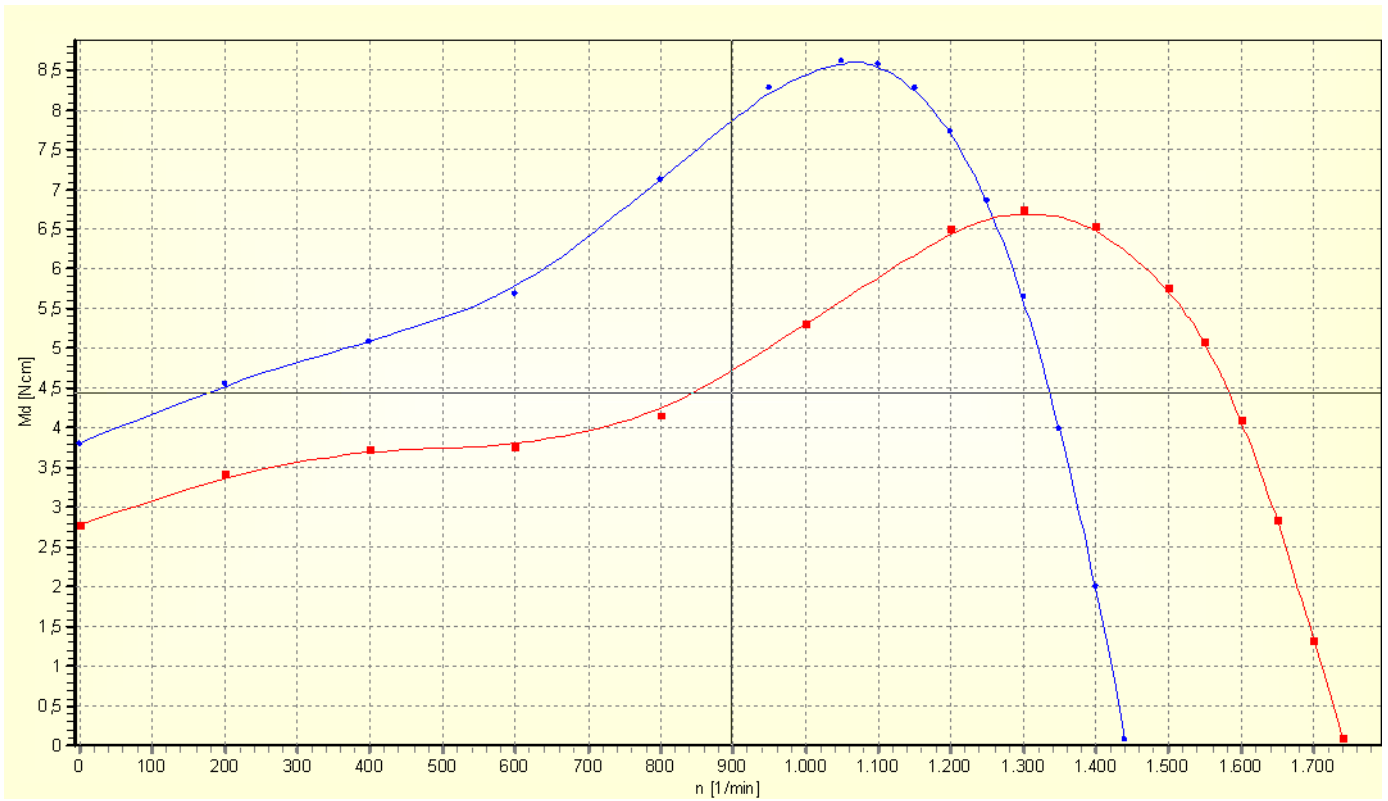
Product drawing



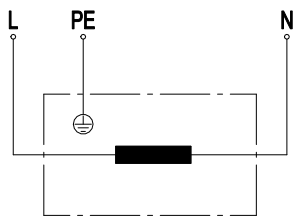
1	Cable PVC, 3x crimped splices
2	Tightening torque for nuts to fasten fan housing or guard grille: 2.3 Nm
3	Tightening torque for screw to fasten fan impeller: 1.4 Nm
4	Tightening torque for nuts to fasten mounting bracket: 2.3 Nm
5	Direction of rotation counterclockwise, viewed toward shaft end



## Curves: Speed (rpm)



## Connection screen



L	blue	PE	green/yellow	N	brown
---	------	----	--------------	---	-------

