

**ebm-papst Ventilator (Shanghai) Co.,Ltd.**

No.418, Hua Jing Road, Wai Gao Qiao Free Trade Zone, Pudong

A4Q200-AN01-06 ebmpapst Datasheet

sales@fansco.com

www.fansco.com

## Nominal data

Type	M4Q045-CA01-01		
Motor	M4Q045-CA		
Phase		1~	1~
Nominal voltage	VAC	230	230
Frequency	Hz	50	60
Method of obtaining data		me	me
Valid for approval/standard		CE	CE
Speed (rpm)	min <sup>-1</sup>	1300	1550
Power consumption	W	31	30
Power output	W	7	8
Current draw	A	0.2	0.2
Min. ambient temperature	°C	-30	-30
Max. ambient temperature	°C	40	40
Starting current	A	0.28	0.26

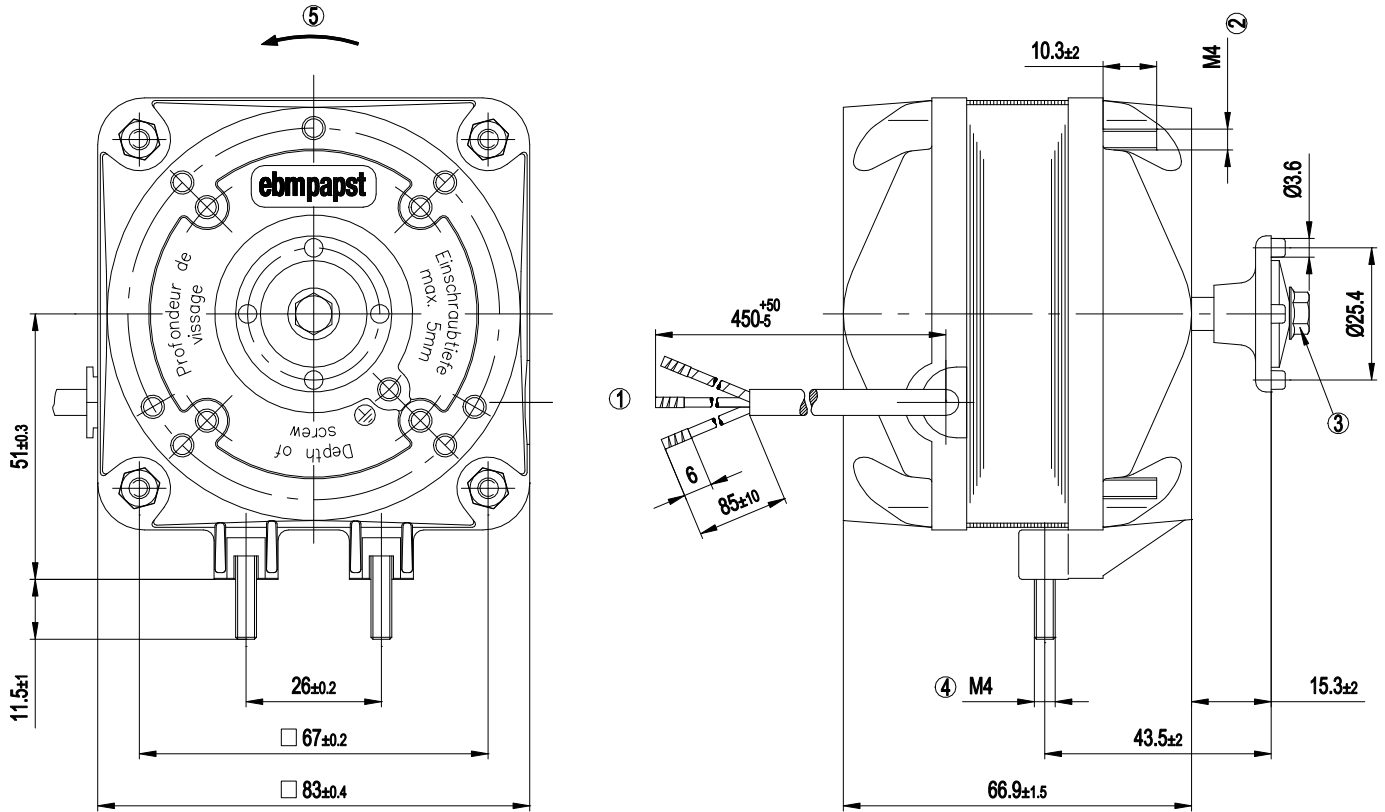
ml = Max. load · me = Max. efficiency · fa = Free air · cs = Customer specification · ce = Customer equipment  
Subject to change



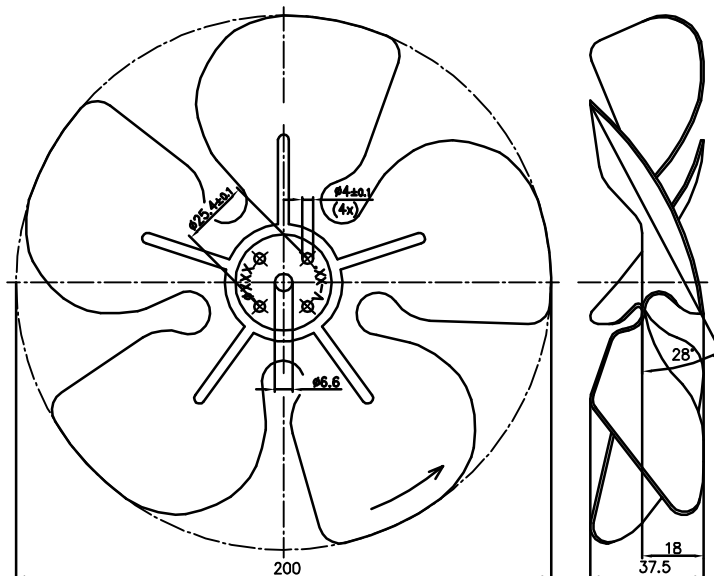
### Technical description

Weight	1.1 kg
Fan size	45 mm
Bearing shield material	Die-cast aluminum
Direction of rotation	Counterclockwise, viewed toward rotor
Degree of protection	IP42; installation- and position-dependent
Insulation class	"B"
Max. permitted ambient temp. for motor (transport/storage)	+ 80 °C
Min. permitted ambient temp. for motor (transport/storage)	- 40 °C
Installation position	Shaft horizontal
Condensation drainage holes	None
Mode	S1
Motor bearing	Calotte bearing
Touch current according to IEC 60990 (measuring circuit Fig. 4, TN system)	< 0.75 mA
Motor protection	Impedance protection
With cable	Lateral
Protection class	I (with customer connection of protective earth)
Conformity with standards	EN 60335-1; CE
Approval	EAC; VDE ; CCC

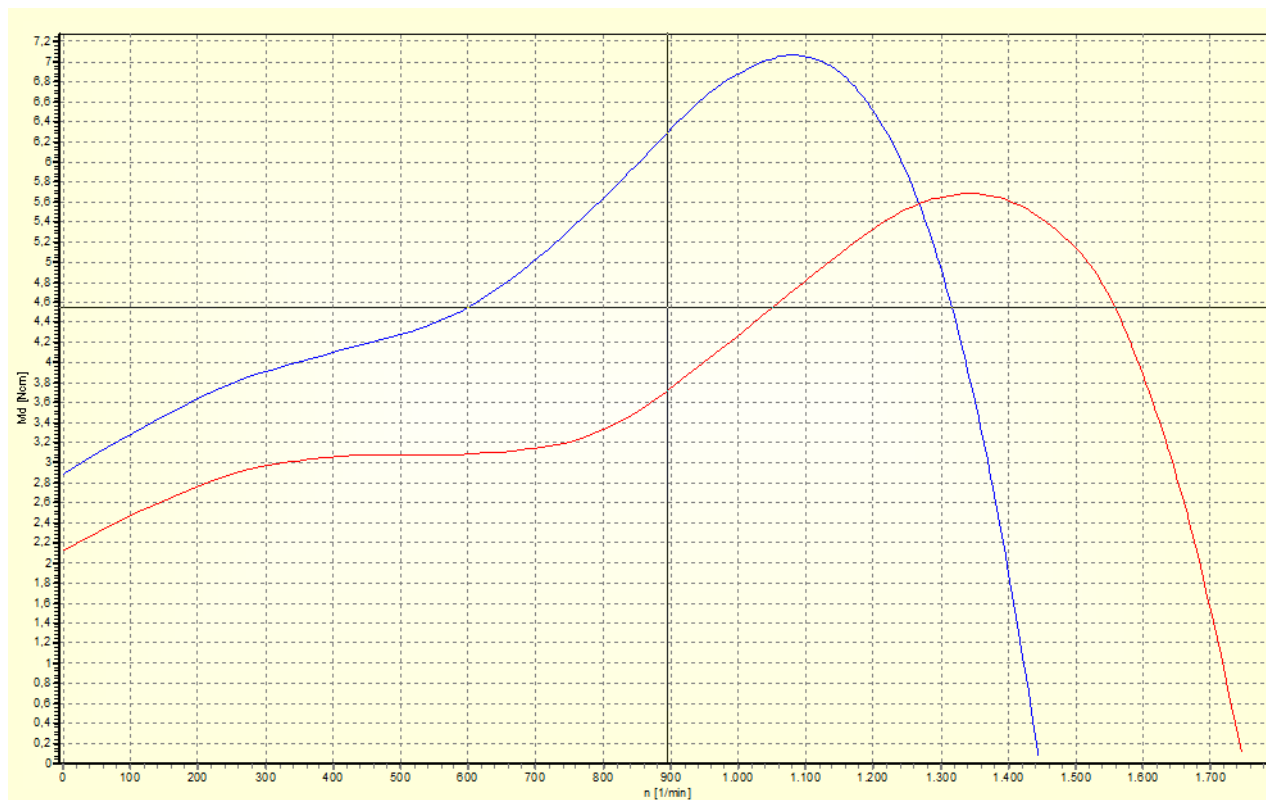
Product drawing



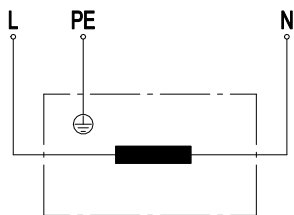
1	Cable PVC, 3x crimped splices
2	Tightening torque for nut for fastening fan housing or guard grille 2.3 Nm
3	Tightening torque for screw for fastening fan impeller 1.4 Nm
4	Tightening torque for nut for fastening mounting bracket 2.3 Nm
5	Direction of rotation counterclockwise, viewed toward shaft end



## Curves: Speed (rpm)



## Connection screen



L	blue	PE	green/yellow	N	brown
---	------	----	--------------	---	-------

