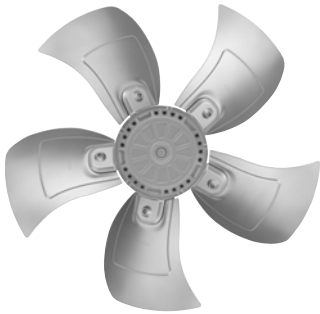


A4E500-AD03-01

AC axial fan

sickled blades (S series)



A4E500-AD03-01 ebmpapst Datasheet FansCo
sales@fansco.com
www.fansco.com

Nominal data

Type	A4E500-AD03-01	
Motor	M4E110-GF	
Phase		1~
Nominal voltage	VAC	230
Frequency	Hz	50
Type of data definition		ml
Valid for approval / standard		CE
Speed	min ⁻¹	1270
Power input	W	760
Current draw	A	3.33
Motor capacitor	µF	14
Capacitor voltage	VDB	400
Max. back pressure	Pa	130
Max. ambient temperature	°C	60

ml = max. load · me = max. efficiency · rfa = running at free air · cs = customer specs · cu = customer unit
Subject to alterations

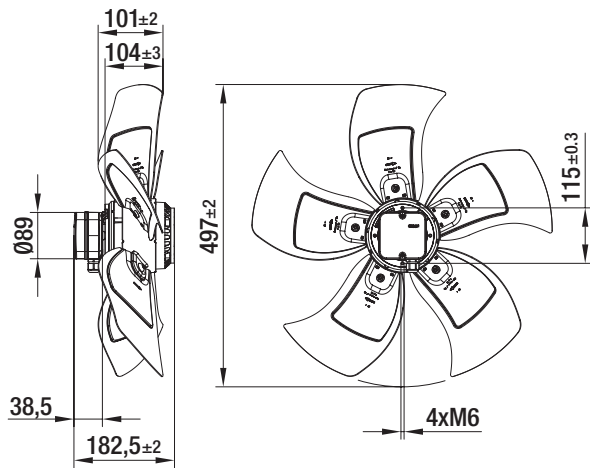
AC axial fan

sickled blades (S series)

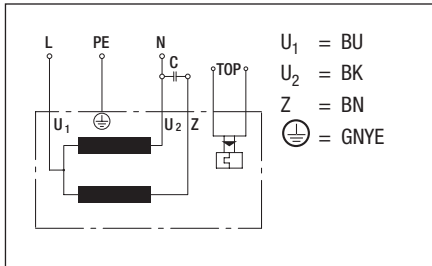
Technical features

Leakage current	<= 3.5 mA
Size	500 mm
Operation mode	S1
Direction of rotation	Counter-clockwise, seen on rotor
Mounting position	Any
Electrical leads	Via terminal box, integrated capacitor connected via terminal box
Humidity class	F3-1
Blade angle	0
Direction of air flow	"V"
Insulation class	"F"
Cable exit	Axial
Condensate discharge holes	On rotor and stator sides
Motor bearing	Ball bearing
Mass	11.0 kg
Material of terminal box	ABS plastic, black
Material of blades	Aluminum sheet
Motor protection	Thermal overload protector (TOP) brought out
Product conforming to standard	CE; EN 61800-5-1
Surface of rotor	Cast in aluminium
Number of blades	5
Type of protection	IP 54
Protection class	I
Max. permissible ambient motor temp. (transp./ storage)	+ 80 °C
Min. permissible ambient motor temp. (transp./storage)	- 40 °C
Approval	GOST; VDE

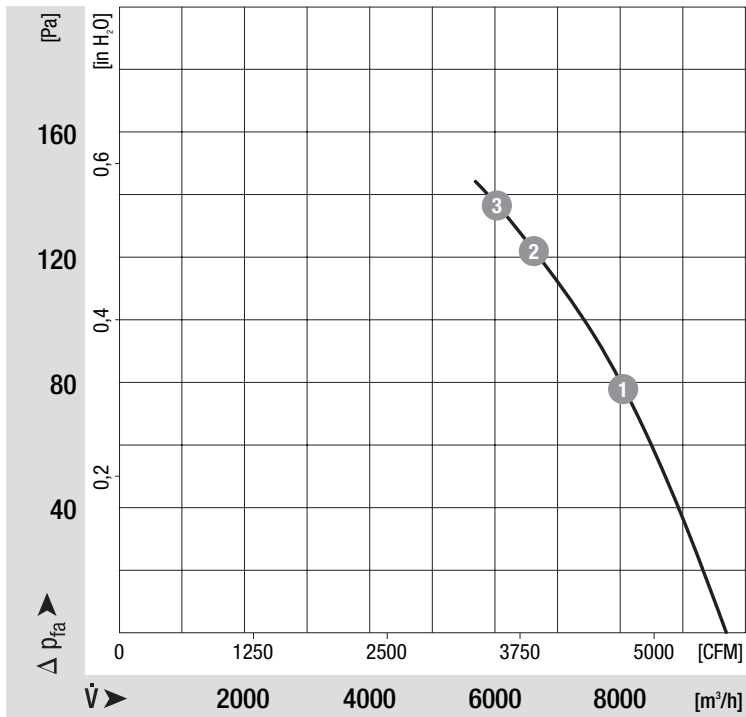
Product drawing



Connection screen



Charts: Air flow 50 Hz



Measured values

	n	P _e	I
	min ⁻¹	W	A
1	1305	710	3.13
2	1285	750	3.28
3	1270	760	3.30