

AC axial fan

blades with special design (K series)



A4E360-AC20-05 ebmpapst Datasheet
 sales@fansco.com
 www.fansco.com

Nominal data

Type	A4E360-AC20-05		
Motor	M4E068-DF		
Phase		1~	1~
Nominal voltage	[V]	230	230
Frequency	[Hz]	50	60
Type of data definition		rfa	rfa
Valid for approval / standard		CE	CE
Speed	[min ⁻¹]	1320	1430
Power input	[W]	115	145
Current draw	[A]	0.54	0.64
Motor capacitor	[μF]	3	3
Capacitor voltage	[VDB]	400	400
Capacitor standard		P0 (CE)	P0 (CE)
Max. back pressure	[Pa]	55	40
Max. ambient temperature	[°C]	40	40

ml = max. load · me = max. efficiency · rfa = running at free air · cs = customer specs · cu = customer unit
 Subject to alterations

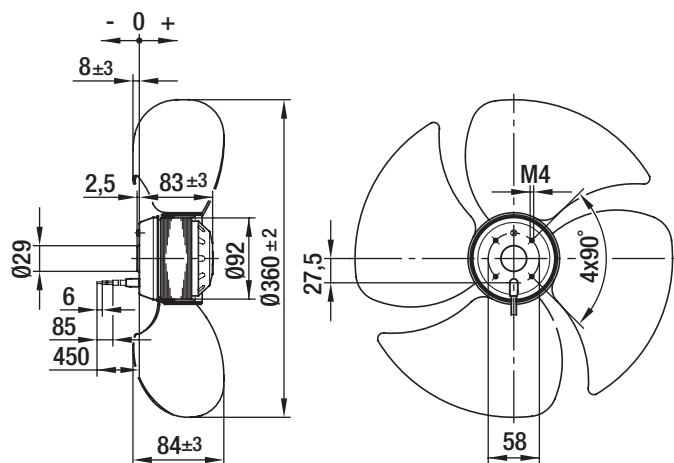
AC axial fan

blades with special design (K series)

Technical features

Leakage current	< 0,75 mA
Size	360 mm
Operation mode	Continuous operation (S1)
Direction of rotation	Counter-clockwise, seen on rotor
Humidity class	F1-2
Direction of air flow	"V"
Insulation class	"B"
Cable exit	Axial
Bearing motor	Ball bearing
Mass	2.1 kg
Material of impeller	Plastic, black
Motor protection	Thermal overload protector (TOP) wired internally
Product conforming to standard	CE
Number of blades	4
Type of protection	IP 44
Protection class	I
Approval	CCC

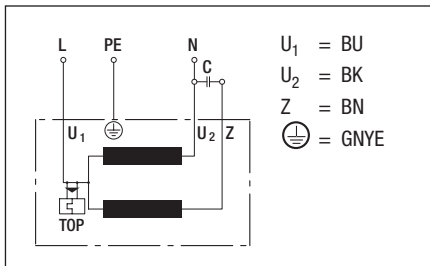
Product drawing



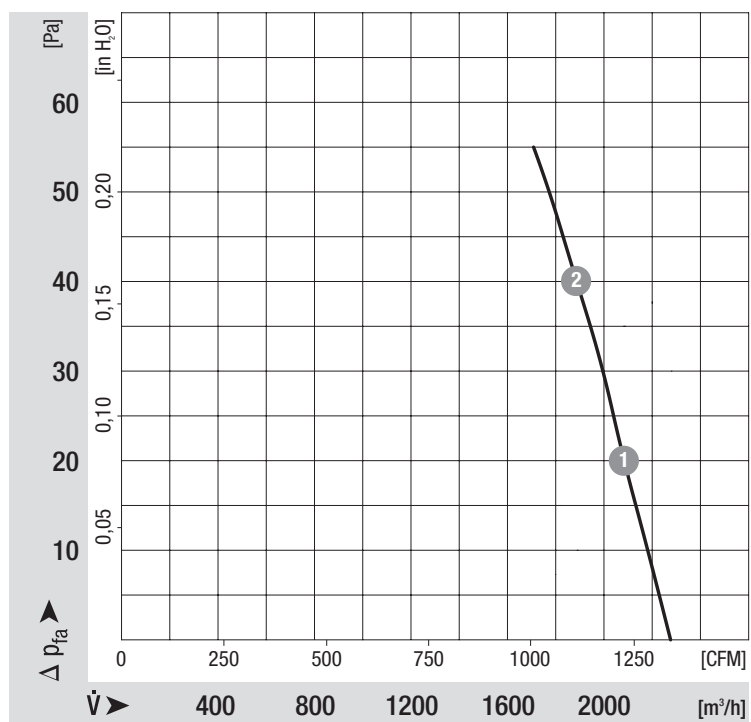
AC axial fan

blades with special design (K series)

Connection screen



Charts: Air flow 50 Hz



Measured values

	n	P ₁	I
	[min ⁻¹]	[W]	[A]
1	1310	113	0.55
2	1300	119	0.57

AC axial fan

blades with special design (K series)

Charts: Air flow 60 Hz

