

AC axial fan

straight blades (A series)

A4E330-AB16-19 ebmpapst Datasheet
 sales@fansco.com
 www.fansco.com

Limited partnership · Headquarters Muldingen
 County court Stuttgart · HRA 590344

General partner Elektrobau Muldingen GmbH · Headquarters Muldingen
 County court Stuttgart · HRB 590142

Nominal data

Type	A4E330-AB16-19		
Motor	M4E068-DF		
Phase		1~	1~
Nominal voltage	VAC	230	230
Frequency	Hz	50	60
Type of data definition		fa	fa
Valid for approval / standard		CE	CE
Speed (rpm)	min ⁻¹	1350	1500
Power input	W	100	140
Current draw	A	0.45	0.62
Motor capacitor	µF	4	4
Capacitor voltage	VDB	400	400
Capacitor standard		S0 (CE)	S0 (CE)
Max. back pressure	Pa	75	80
Min. ambient temperature	°C	-25	-25
Max. ambient temperature	°C	65	45
Starting current	A	0.86	0.81

ml = Max. load · me = Max. efficiency · fa = Running at free air · cs = Customer specs · cu = Customer unit
 Subject to alterations

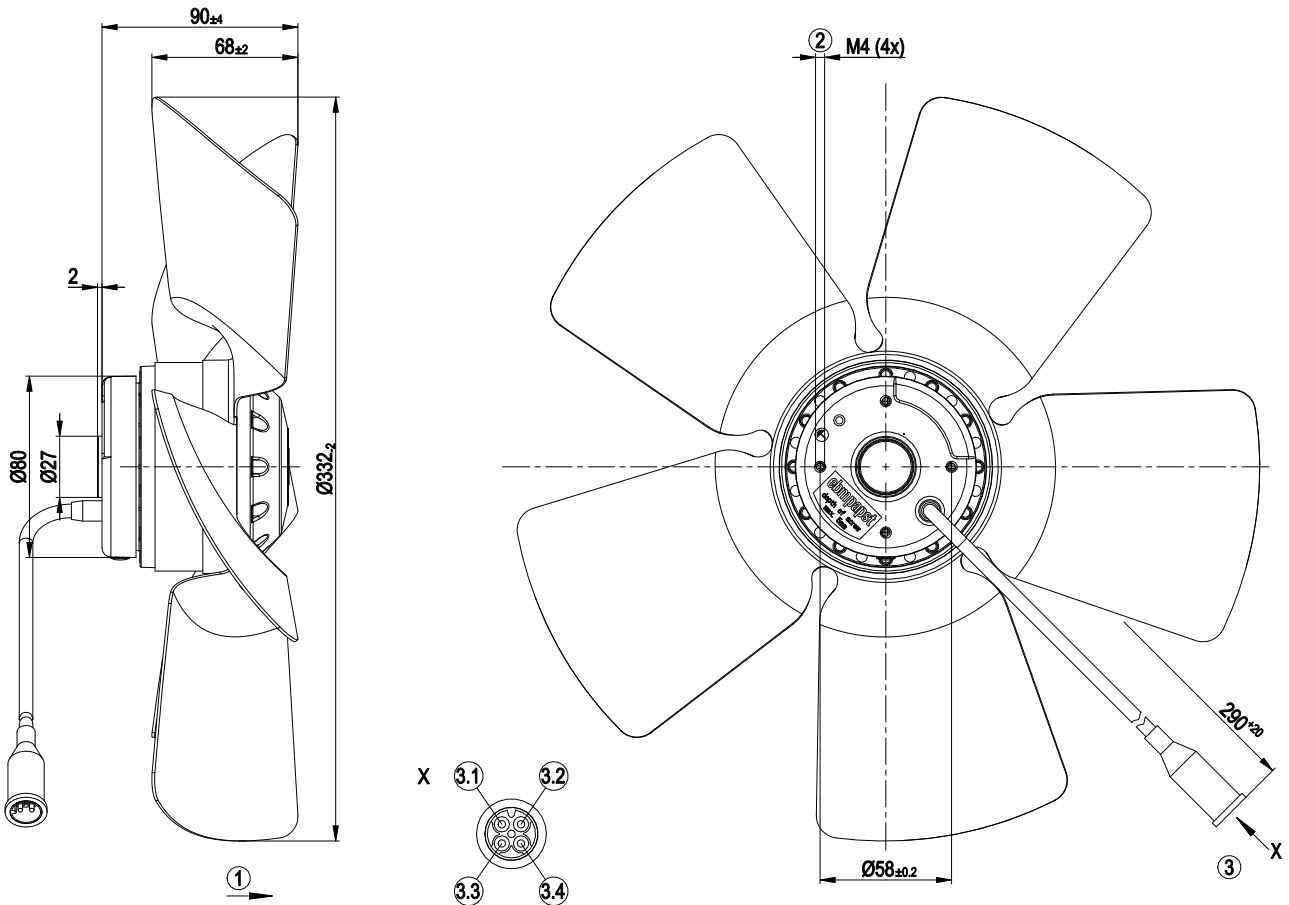


Technical features

Mass	2.4 kg
Size	330 mm
Surface of rotor	Coated in black
Material of blades	Sheet steel, coated in black
Number of blades	5
Direction of air flow	"A"
Direction of rotation	Clockwise, seen on rotor
Type of protection	IP 44; Depending on installation and position as per EN 60034-5
Insulation class	"F"
Humidity (F)/environmental protection class (H)	F2-2
Max. permissible ambient motor temp. (transp./ storage)	+ 80 °C
Min. permissible ambient motor temp. (transp./storage)	- 40 °C
Mounting position	Shaft horizontal or rotor on bottom; rotor on top on request
Condensate discharge holes	Rotor-side
Operation mode	S1
Motor bearing	Ball bearing
Touch current acc. IEC 60990 (measuring network Fig. 4, TN system)	< 0.75 mA
Electrical leads	With plug
Motor protection	Thermal overload protector (TOP) wired internally
Cable exit	Axial
Protection class	I (if protective earth is connected by customer)
Product conforming to standard	EN 60335-1; CE



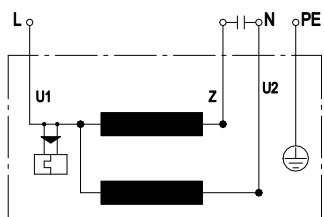
Product drawing



1	Direction of air flow "A"
2	Thread reach max. 5 mm
3	Connection line silicone 4G 0.5 mm ² , 1x connector housing 4-pole Tyco 0-925075-0 with insulating sleeve, 4x plug pin Tyco 163555-8
3.1	Z (brown)
3.2	N (black)
3.3	PE (green/yellow)
3.4	L (blue)



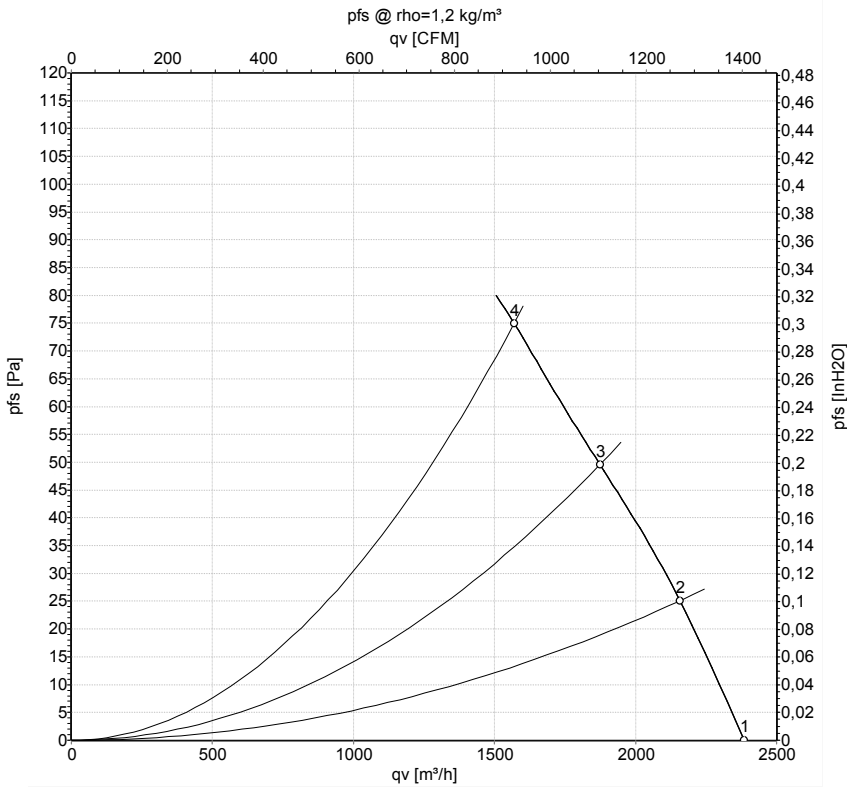
Connection screen



U1	blue	Z	brown	U2	black
PE	green/yellow				



Charts: Air flow 50 Hz



Measurement: LU-160751-1

Air performance measured as per ISO 5801 Installation category A. For detailed information on the measuring set-up, please contact ebm-papst. Suction-side noise levels: L_{wA} measured as per ISO 13347 / L_{pA} measured with 1m distance to fan axis. The values given are valid under the measuring conditions mentioned above and may vary according to the actual installation situation. With any deviation from the standard set-up, the specific values have to be checked and reviewed with the unit installed.

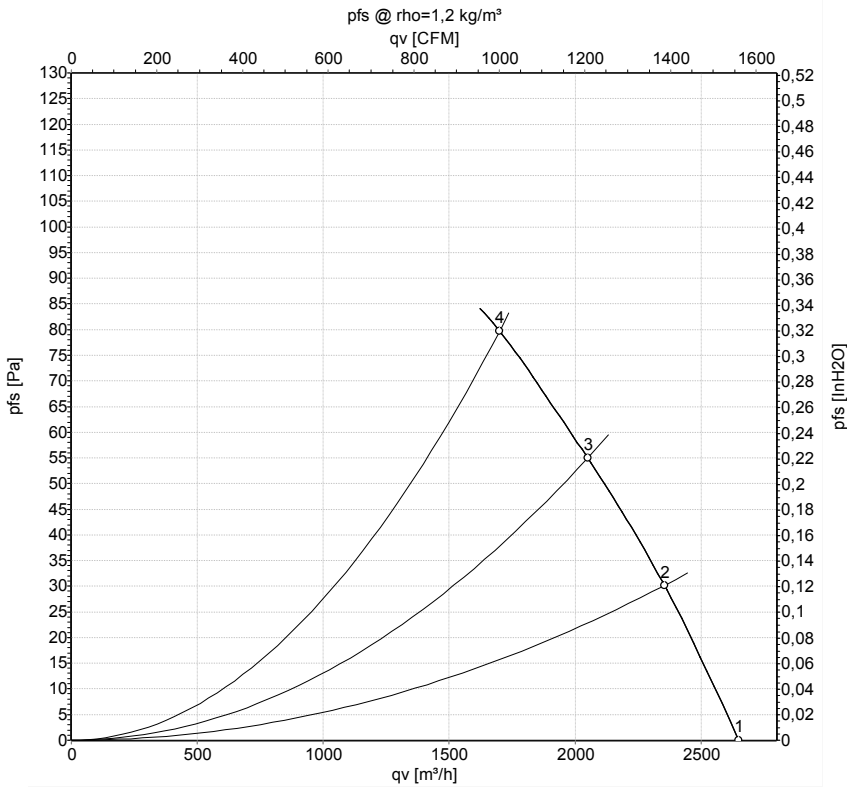
Measured values

	U	f	n	P_e	I	$L_{pA_{in}}$	$L_{wA_{in}}$	q_v	p_{fs}	q_v	p_{fs}
	V	Hz	min^{-1}	W	A	dB(A)	dB(A)	m^3/h	Pa	cfm	inH2O
1	230	50	1350	100	0.45	66	73	2385	0	1405	0.00
2	230	50	1335	108	0.47	65	72	2160	25	1270	0.10
3	230	50	1315	113	0.49	62	68	1875	50	1105	0.20
4	230	50	1295	119	0.52	56	63	1570	75	925	0.30

U = Supply voltage · f = Frequency · n = Speed (rpm) · P_e = Power input · I = Current draw · $L_{pA_{in}}$ = Sound pressure level inlet side · $L_{wA_{in}}$ = Sound power level inlet side · q_v = Air flow
 p_{fs} = Pressure increase



Charts: Air flow 60 Hz



Measurement: LU-160967-1

Air performance measured as per ISO 5801 Installation category A. For detailed information on the measuring set-up, please contact ebm-papst. Suction-side noise levels: LwA measured as per ISO 13347 / LpA measured with 1m distance to fan axis. The values given are valid under the measuring conditions mentioned above and may vary according to the actual installation situation. With any deviation from the standard set-up, the specific values have to be checked and reviewed with the unit installed.

Measured values

	U	f	n	P_e	I	LpA_{in}	LwA_{in}	q_v	p_{fs}	q_v	p_{fs}
	V	Hz	min^{-1}	W	A	dB(A)	dB(A)	$\text{m}^3\text{/h}$	Pa	cfm	inH2O
1	230	60	1500	140	0.62	69	75	2650	0	1560	0.00
2	230	60	1450	150	0.66	67	74	2355	30	1385	0.12
3	230	60	1415	156	0.69	64	70	2050	55	1205	0.22
4	230	60	1375	159	0.70	59	66	1700	80	1000	0.32

U = Supply voltage · f = Frequency · n = Speed (rpm) · P_e = Power input · I = Current draw · LpA_{in} = Sound pressure level inlet side · LwA_{in} = Sound power level inlet side · q_v = Air flow
 p_{fs} = Pressure increase

