

AC axial fan

sickled blades (S series)



A4E315-AP18-01 ebmpapst Datasheet FansCo
 sales@fansco.com
 www.fansco.com

Nominal data

Type	A4E315-AP18-01		
Motor	M4E068-DF		
Phase		1~	1~
Nominal voltage	VAC	230	230
Frequency	Hz	50	60
Type of data definition		rfa	rfa
Valid for approval / standard		CE	CE
Speed	min ⁻¹	1410	1650
Power input	W	102	120
Current draw	A	0.52	0.53
Motor capacitor	μF	4	4
Capacitor voltage	VDB	400	400
Max. back pressure	Pa	120	120
Max. ambient temperature	°C	55	55

ml = max. load · me = max. efficiency · rfa = running at free air · cs = customer specs · cu = customer unit
 Subject to alterations

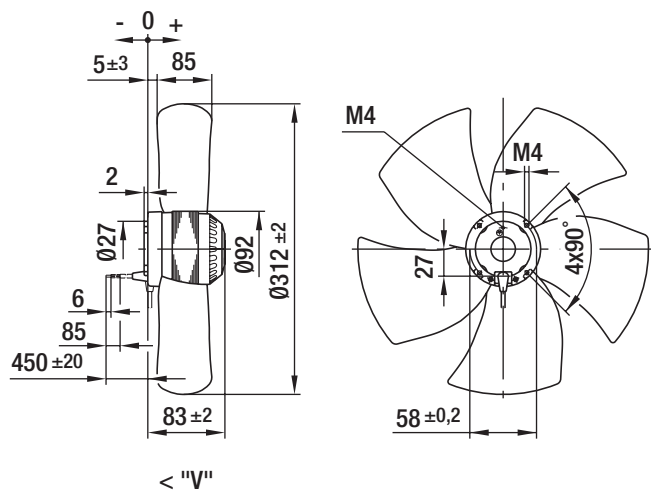
AC axial fan

sickled blades (S series)

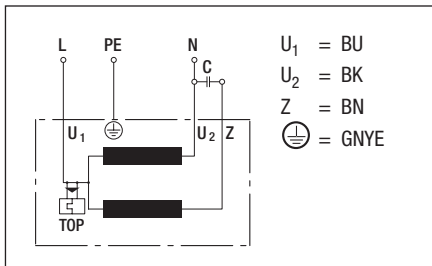
Technical features

Leakage current	< 0.75 mA
Size	315 mm
Operation mode	Continuous operation (S1)
Direction of rotation	Counter-clockwise, seen on rotor
Humidity class	F1-2
Direction of air flow	"V"
Insulation class	"B"
Cable exit	Axial
Motor bearing	Ball bearing
Mass	2.4 kg
Material of electronics housing	Rotor: Coated in black
Material of impeller	Sheet steel, coated in black
Motor protection	Thermal overload protector (TOP) wired internally
Product conforming to standard	CE
Number of blades	5
Type of protection	IP 44
Protection class	I
Approval	CCC; GOST

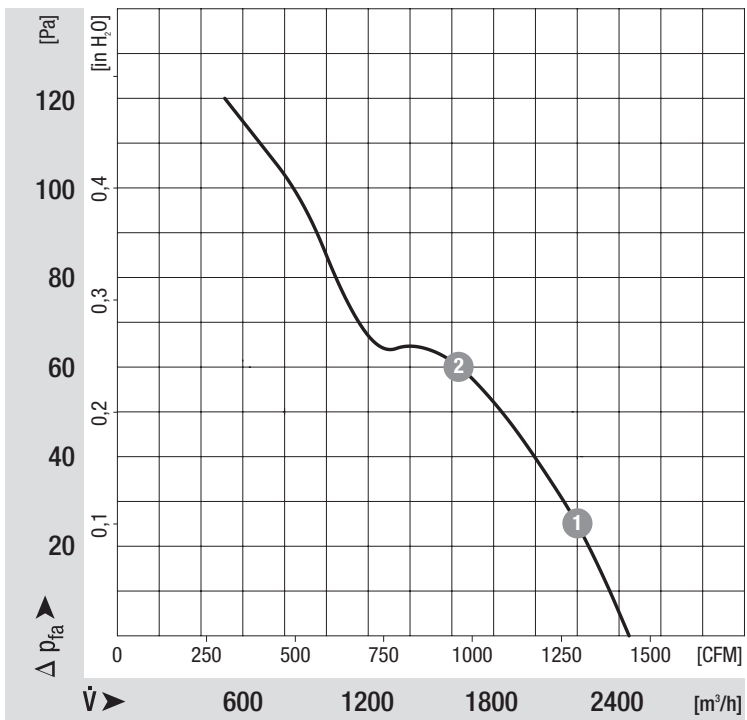
Product drawing



Connection screen



Charts: Air flow 50 Hz



Measured values

	n	P_e	I
	min ⁻¹	W	A
1	1400	108	0.54
2	1380	120	0.57

Charts: Air flow 60 Hz

