

A4E300-AB03-22 ebmpapst Datasheet

sales@fansco.com

www.fansco.com

Limited partnership · Headquarters Mulfingen

Amtsgericht (court of registration) Stuttgart · HRA 590344

General partner Elektrobau Mulfingen GmbH · Headquarters Mulfingen

Amtsgericht (court of registration) Stuttgart · HRB 590142

## Nominal data

Type	A4E300-AB03-22	
Motor	M4E068-CF	
Phase		1~
Nominal voltage	VAC	240
Nominal voltage range	VAC	220 .. 240
Frequency	Hz	50
Method of obtaining data		ml
Valid for approval/standard		CE
Speed (rpm)	min <sup>-1</sup>	1250
Power consumption	W	75
Current draw	A	0.32
Capacitor	µF	1.5
Capacitor voltage	VDB	400
Capacitor standard		S0 (CE)
Max. back pressure	Pa	25
Max. back pressure	in. wg	0.1
Min. ambient temperature	°C	-40
Max. ambient temperature	°C	50
Starting current	A	0.41

ml = Max. load · me = Max. efficiency · fa = Free air · cs = Customer specification · ce = Customer equipment  
Subject to change



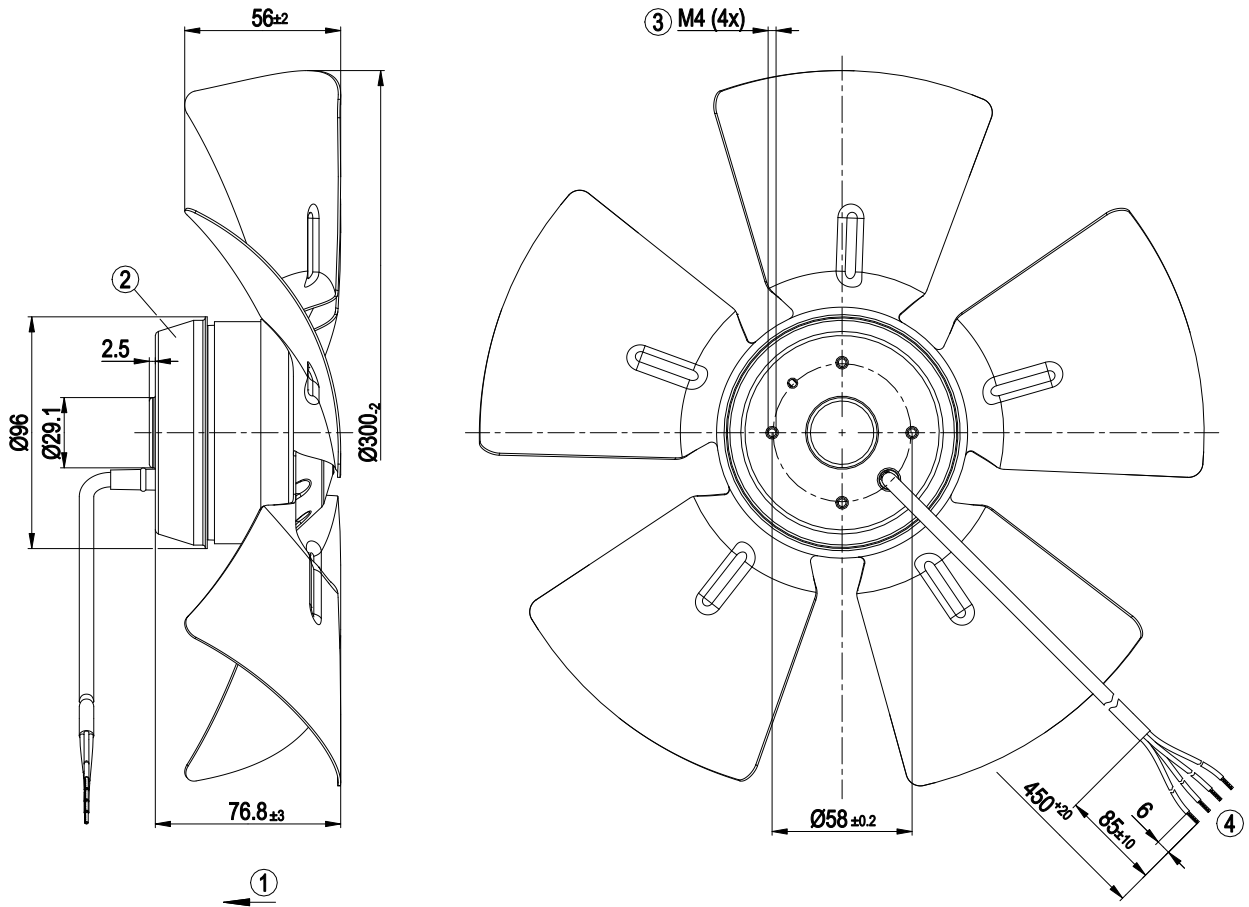
### Technical description

Weight	2 kg
Size	300 mm
Motor size	68
Rotor surface	Painted black
Impeller material	Sheet steel, galvanized and painted black
Airflow direction	V
Direction of rotation	Counterclockwise, viewed toward rotor
Degree of protection	IP44; installation- and position-dependent as per EN 60034-5
Insulation class	"B"
Moisture (F) / Environmental (H) protection class	F2-2
Max. permitted ambient temp. for motor (transport/storage)	+70 °C
Min. permitted ambient temp. for motor (transport/storage)	- 40 °C
Installation position	Shaft horizontal or rotor on bottom; rotor on top on request
Condensation drainage holes	On rotor side
Mode	S1
Motor mounting	Ball bearing with low-temperature lubricant
Touch current according to IEC 60990 (measuring circuit Fig. 4, TN system)	< 0.75 mA
Motor protection	Thermal overload protector (TOP) internally connected
With cable	Variable
Protection class	I (with customer connection of protective earth)
Conformity with standards	EN 60335-1; CE

# AC axial fan

straight blades (A series), single-intake

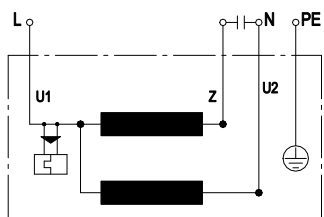
Product drawing



1	Airflow direction "V"
2	Cable fed through safety hood, not otherwise fastened.
3	Cheese-head screws included separately, tightening torque 2.2 ± 0.2 Nm
4	Cable silicone 4G 0.5 mm <sup>2</sup> , 4x crimped splices

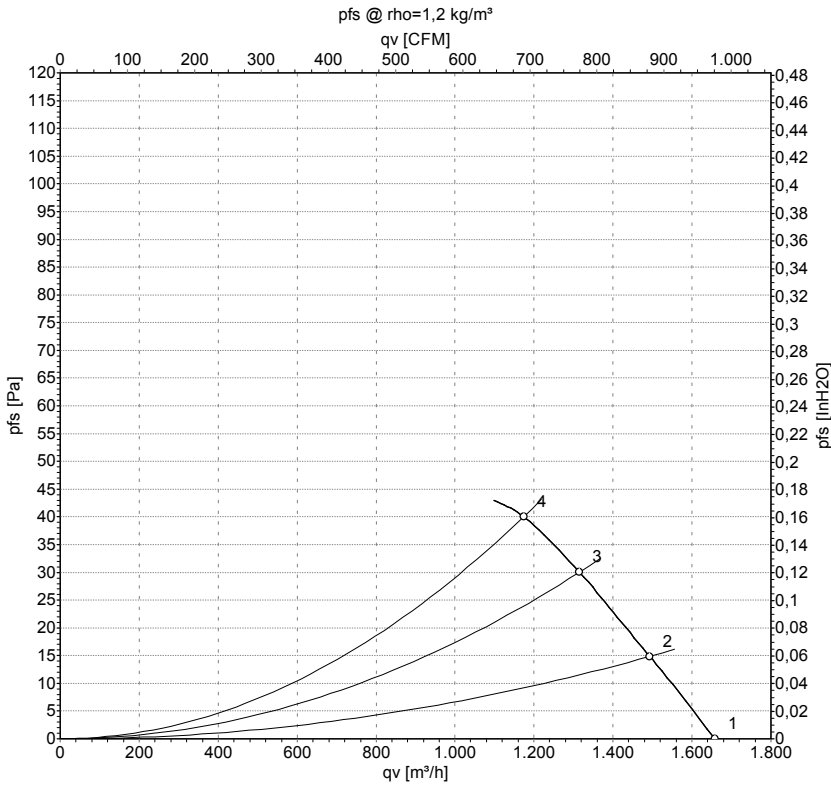


## Connection diagram



U1	blue	Z	brown	U2	black
PE	green/yellow				

## Curves: Air performance 50 Hz



Measurement: LU-31081-1

Air performance measured according to ISO 5801 installation category A. For detailed information on the measurement setup, contact ebm-papst. Intake sound level: Sound power level according to ISO 13347 / sound pressure level measured at 1 m distance from fan axis. The values given are valid under the specified measuring conditions and may vary due to conditions of installation. For deviations from the standard configuration, the parameters have to be checked on the installed unit.

## Measured values

	U	f	n	P <sub>e</sub>	I	q <sub>v</sub>	p <sub>fs</sub>	q <sub>v</sub>	p <sub>fs</sub>
	V	Hz	min <sup>-1</sup>	W	A	m <sup>3</sup> /h	Pa	cfm	in. wg
1	240	50	1270	63	0.26	1660	0	975	0.00
2	240	50	1250	65	0.27	1495	15	880	0.06
3	240	50	1230	67	0.28	1315	30	775	0.12
4	240	50	1205	69	0.29	1175	40	690	0.16

U = Power supply · f = Frequency · n = Speed (rpm) · P<sub>e</sub> = Power consumption · I = Current draw · q<sub>v</sub> = Air flow · p<sub>fs</sub> = Pressure increase

