

A4D560-AE03-02 ebmpapst Datasheet
 sales@fansco.com
 www.fansco.com

Limited partnership · Headquarters Muldingen
 County court Stuttgart · HRA 590344

General partner: Elektrobau Muldingen GmbH · Headquarters Muldingen
 County court Stuttgart · HRB 590142



Nominal data

Type	A4D560-AE03-02		
Motor	M4D110-GF		
Phase		3~	3~
Nominal voltage	VAC	400	400
Connection		Δ	Y
Frequency	Hz	50	50
Type of data definition		ml	ml
Valid for approval / standard		CE	CE
Speed	min ⁻¹	1270	925
Power input	W	1030	630
Current draw	A	1.9	1.06
Max. back pressure	Pa	150	80
Max. ambient temperature	°C	60	60

ml = max. load · me = max. efficiency · fa = running at free air · cs = customer specs · cu = customer unit
 Subject to alterations

Data according to ErP directive

		Actual	Request 2013	Request 2015
Installation category	A			
Efficiency category	Static			
Closed-loop speed control	No			
Specific ratio*	1,00			
Overall efficiency η_e		30,8	29,9	33,9
Efficiency grade N		36,9	36	40
Power input P_e	kW	1,08		
Air flow q_v	m ³ /h	6705		
Pressure increase Total p_{sf}	Pa	180		
Speed n	min ⁻¹	1255		

Data established at point of optimum efficiency

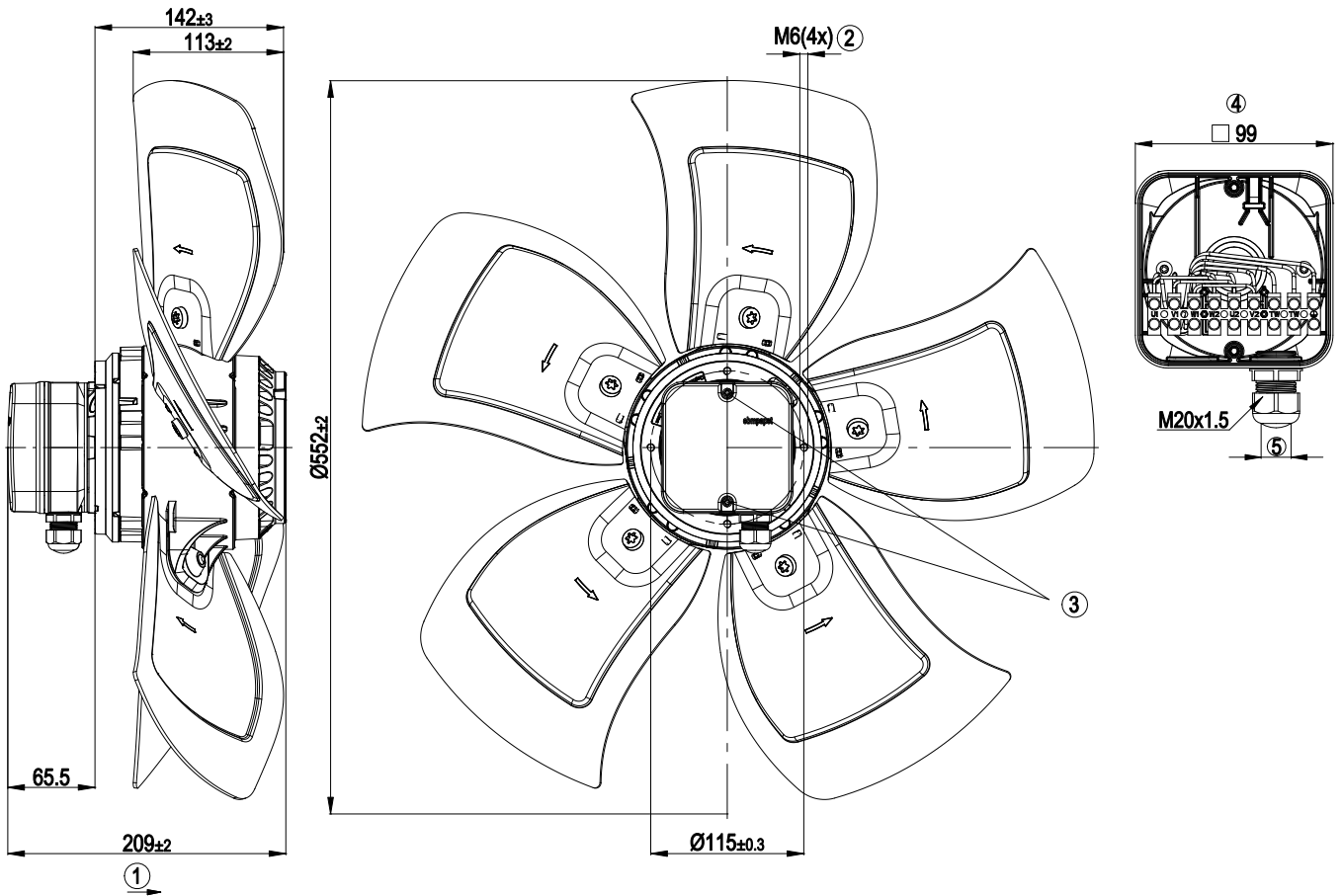
* Specific ratio = $1 + p_{sf} / 100\,000$



Technical features

Mass	11 kg
Size	560 mm
Surface of rotor	Cast in aluminium
Material of terminal box	ABS plastic, black
Material of blades	Aluminum sheet
Number of blades	5
Blade angle	-5°
Direction of air flow	"A"
Direction of rotation	Clockwise, seen on rotor
Type of protection	IP 54
Insulation class	"F"
Humidity class	F3-1
Max. permissible ambient motor temp. (transp./ storage)	+ 80 °C
Min. permissible ambient motor temp. (transp./storage)	- 40 °C
Mounting position	Shaft horizontal or rotor on bottom; rotor on top on request
Condensate discharge holes	Rotor-side
Operation mode	S1
Motor bearing	Ball bearing
Leakage current	<= 3.5 mA
Electrical leads	Via terminal box
Motor protection	Thermal overload protector (TOP) brought out
Cable exit	Axial
Product conforming to standard	EN 60034; CE
Approval	VDE

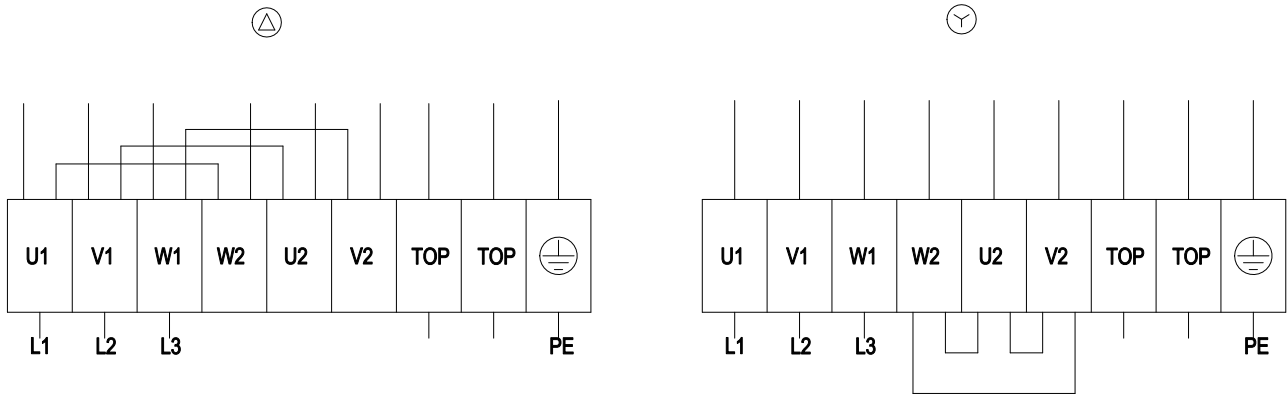
Product drawing



1	Direction of air flow "A"
2	Depth of screw max. 12 mm
3	Tightening torque 0.8±0.15 Nm
4	Illustration without terminal box cover
5	Cable diameter: min. 6 mm, max. 12 mm; tightening torque: 2±0.3 Nm



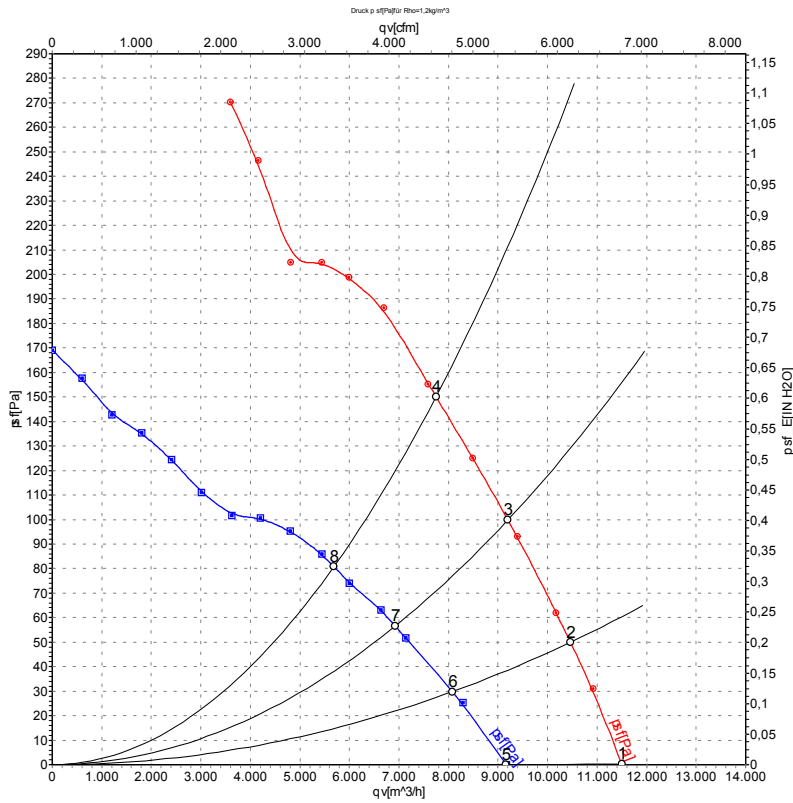
Connection screen



Note: Direction of rotation changes when two phases are reversed

Δ	Delta-connection	Y	Star connection	L1	= U1 = black
L2	= V1 = blue	L3	= W1 = brown	W2	yellow
U2	green	V2	white	TOP	2 x grey
PE	green / yellow				

Charts: Air flow 50 Hz Δ



Measurement: LU-72505
Measurement: LU-72506

Air performance measured as per ISO 5801 Installation category A. For detailed information on the measuring set-up, please contact ebmpapst. Suction-side noise levels: LwA measured as per ISO 13347 / LpA measured with 1m distance to fan axis. The values given are valid under the measuring conditions mentioned above and may vary according to the actual installation situation. With any deviation from the standard set-up, the specific values have to be checked and reviewed with the unit installed.

Measured values

	Conn.	U	f	n	P _e	I	qv	P _{sf}
		V	Hz	min ⁻¹	W	A	m ³ /h	Pa
1	Δ	400	50	1335	798	1.57	11500	0
2	Δ	400	50	1315	880	1.68	10460	50
3	Δ	400	50	1295	957	1.78	9200	100
4	Δ	400	50	1270	1030	1.90	7750	150
5	Y	400	50	1050	547	0.93	9160	0
6	Y	400	50	1010	578	0.98	8075	30
7	Y	400	50	965	604	1.02	6925	56
8	Y	400	50	925	630	1.06	5685	80

