

A4D500-AE01-08 ebmpapst Datasheet
 sales@fansco.com
 www.fansco.com

Limited partnership · Headquarters Mulfingen
 County court Stuttgart · HRA 590344

General partner: Elektrobau Mulfingen GmbH · Headquarters Mulfingen
 County court Stuttgart · HRB 590142



Nominal data

Type	A4D500-AE01-08						
Motor	M4D110-GF						
Phase		3~	3~	3~	3~	3~	3~
Nominal voltage	VAC	230	230	277	400	400	480
Connection		Δ	Δ	Δ	Y	Y	Y
Frequency	Hz	50	60	60	50	60	60
Type of data definition		ml	ml	ml	ml	ml	ml
Valid for approval / standard		CE	CE	CE	CE	CE	CE
Speed	min ⁻¹	1370	1520	1600	1370	1520	1600
Power input	W	680	1010	1110	680	1010	1110
Current draw	A	2.56	3.11	3.11	1.48	1.8	1.8
Max. back pressure	Pa	160	195	215	160	195	215
Max. ambient temperature	°C	90	60	60	90	60	60

ml = max. load · me = max. efficiency · fa = running at free air · cs = customer specs · cu = customer unit
 Subject to alterations

Data according to ErP directive

Installation category	A	Overall efficiency η_e	Actual	Request 2013	Request 2015
Efficiency category	Static	Efficiency grade N	34,8	28,5	32,5
Closed-loop speed control	No	Power input P_e	42,3	36	40
Specific ratio*	1,00	Power input P_e	kW	0,65	
		Air flow q_v	m ³ /h	5605	
		Pressure increase Total p_{sf}	Pa	146	
		Speed n	min ⁻¹	1375	

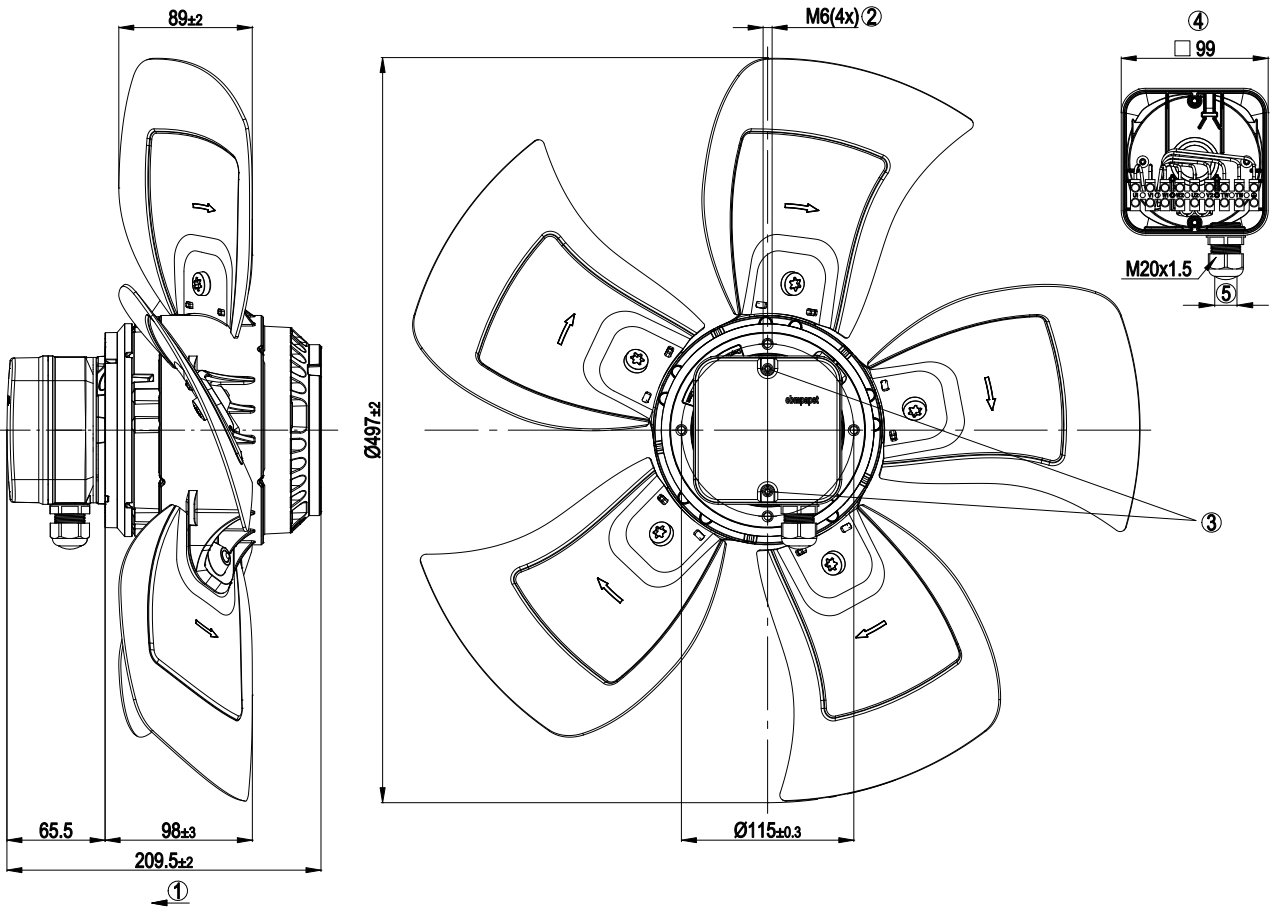
Data established at point of optimum efficiency



Technical features

Mass	11 kg
Size	500 mm
Surface of rotor	Cast in aluminium
Material of terminal box	PC/ABS plastic, black
Material of blades	Aluminium sheet
Number of blades	5
Blade angle	-5°
Direction of air flow	"V"
Direction of rotation	Counter-clockwise, seen on rotor
Type of protection	IP 54
Insulation class	"F"
Humidity class	F3-1
Max. permissible ambient motor temp. (transp./ storage)	+ 80 °C
Min. permissible ambient motor temp. (transp./storage)	- 40 °C
Mounting position	Shaft horizontal or rotor on bottom; rotor on top on request
Condensate discharge holes	Rotor-side
Operation mode	S1
Motor bearing	Ball bearing
Leakage current	<= 3.5 mA
Electrical leads	Via terminal box
Motor protection	Thermal overload protector (TOP) brought out
Cable exit	Axial
Protection class	I (if protective earth is connected by customer)
Product conforming to standard	EN 61800-5-1; CE
Approval	CSA C22.2 Nr.100; UL 1004-1; VDE

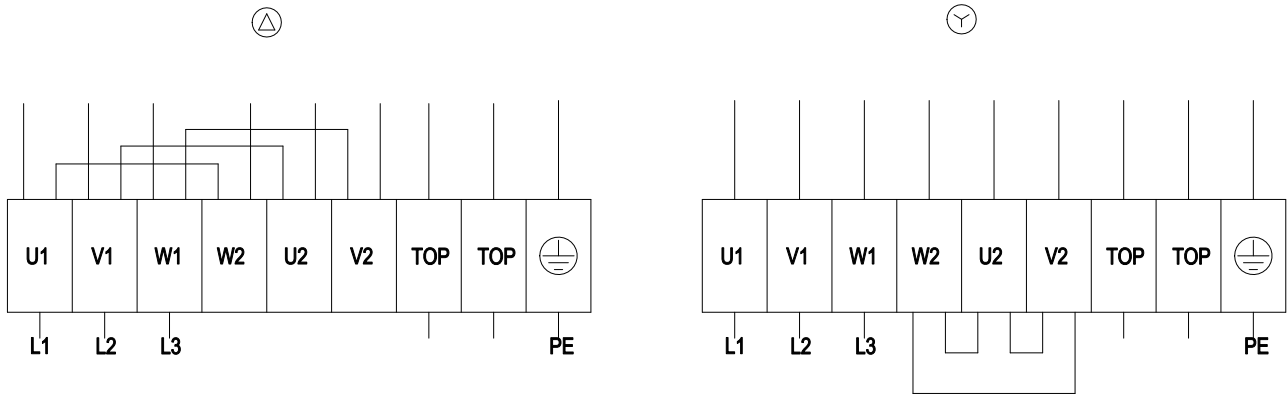
Product drawing



1	Direction of air flow "V"
2	Depth of screw max. 12 mm
3	Tightening torque 0.8±0.15
4	Illustration without terminal box cover
5	Cable diameter: min. 6 mm, max. 12 mm; tightening torque: 2±0.3 Nm



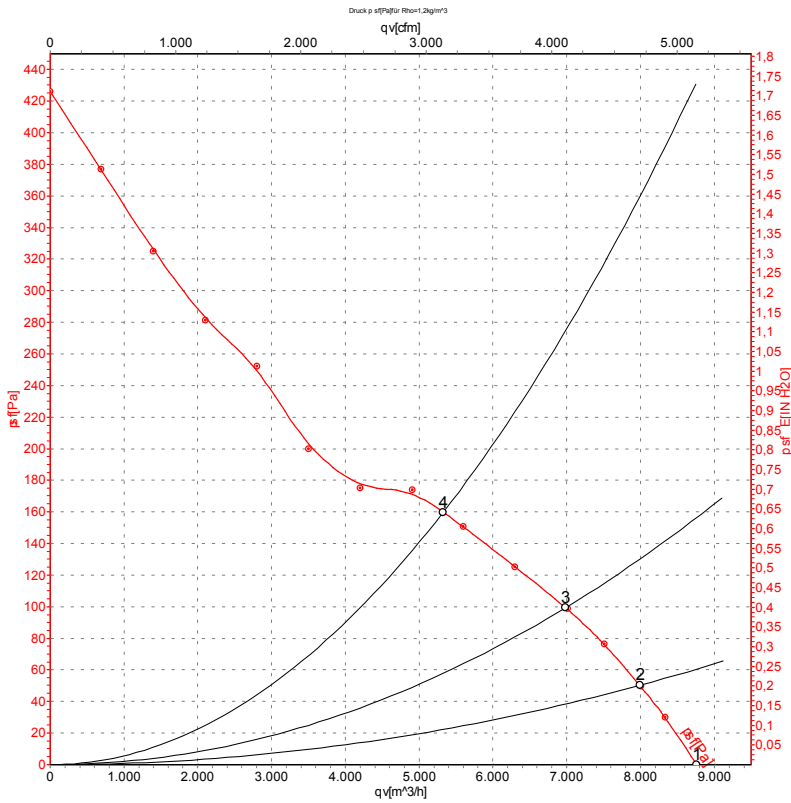
Connection screen



Note: Direction of rotation changes when two phases are reversed

Δ	Delta-connection	Y	Star connection	L1	= U1 = black
L2	= V1 = blue	L3	= W1 = brown	W2	yellow
U2	green	V2	white	TOP	2 x grey
PE	green / yellow				

Charts: Air flow 50 Hz Y



Measurement: LU-73054

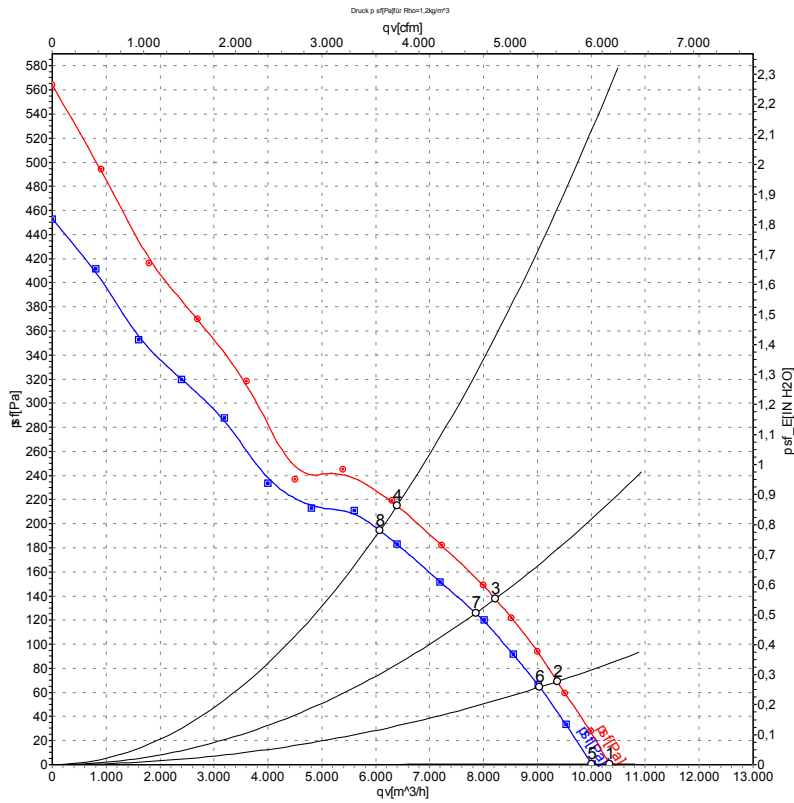
Air performance measured as per ISO 5801 Installation category A. For detailed information on the measuring set-up, please contact ebm-papst. Suction-side noise levels: L_{wA} measured as per ISO 13347 / L_{pA} measured with 1m distance to fan axis. The values given are valid under the measuring conditions mentioned above and may vary according to the actual installation situation. With any deviation from the standard set-up, the specific values have to be checked and reviewed with the unit installed.

Measured values

	Conn.	U	f	n	P _e	I	L _{wA_{in}}	qv	p _{sf}
		V	Hz	min ⁻¹	W	A	dB(A)	m³/h	Pa
1	Y	400	50	1410	496	1.25	80	8760	0
2	Y	400	50	1400	554	1.31	78	7990	50
3	Y	400	50	1385	610	1.37	79	6985	100
4	Y	400	50	1370	680	1.48	79	5325	160



Charts: Air flow 60 Hz Y



Measurement: LU-73055
Measurement: LU-73057

Air performance measured as per ISO 5801 Installation category A. For detailed information on the measuring set-up, please contact ebmpapst. Suction-side noise levels: LwA measured as per ISO 13347 / LpA measured with 1m distance to fan axis. The values given are valid under the measuring conditions mentioned above and may vary according to the actual installation situation. With any deviation from the standard set-up, the specific values have to be checked and reviewed with the unit installed.

Measured values

	Conn.	U	f	n	P _e	I	qv	P _{sf}
		V	Hz	min ⁻¹	W	A	m ³ /h	Pa
1	Y	480	60	1670	805	1.40	10340	0
2	Y	480	60	1650	899	1.50	9365	70
3	Y	480	60	1630	984	1.59	8220	138
4	Y	480	60	1600	1110	1.80	6390	215
5	Y	400	60	1615	740	1.35	10000	0
6	Y	400	60	1585	834	1.49	9040	65
7	Y	400	60	1560	907	1.58	7855	125
8	Y	400	60	1520	1010	1.80	6080	195

