

AC axial fan

sickle-shaped blades (S series)



A4D500-AD03-01 ebmpapst Datasheet

sales@fansco.com

www.fansco.com

Limited partnership · Headquarters Mulfingen

Amtsgericht (court of registration) Stuttgart · HRA 590344

General partner Elektrobau Mulfingen GmbH · Headquarters Mulfingen

Amtsgericht (court of registration) Stuttgart · HRB 590142

Nominal data

Type	A4D500-AD03-01						
Motor	M4D110-GF						
Phase		3~	3~	3~	3~	3~	3~
Nominal voltage	VAC	400	400	400	400	480	480
Wiring		Δ	Y	Δ	Y	Δ	Y
Frequency	Hz	50	50	60	60	60	60
Method of obtaining data		ml	ml	ml	ml	ml	ml
Valid for approval/standard		-	-	-	-	-	-
Speed (rpm)	min ⁻¹	1325	1035	1470	990	1570	1170
Power consumption	W	820	550	1110	590	1220	770
Current draw	A	1.59	0.95	1.93	1.1	1.86	1.13
Max. back pressure	Pa	160	100	135	60	150	84
Max. back pressure	inH2O	0.64	0.4	0.54	0.24	0.6	0.34
Min. ambient temperature	°C	-40	-40	-40	-40	-40	-40
Max. ambient temperature	°C	80	80	50	50	50	50
Starting current	A	6.5	2			7.5	2.2

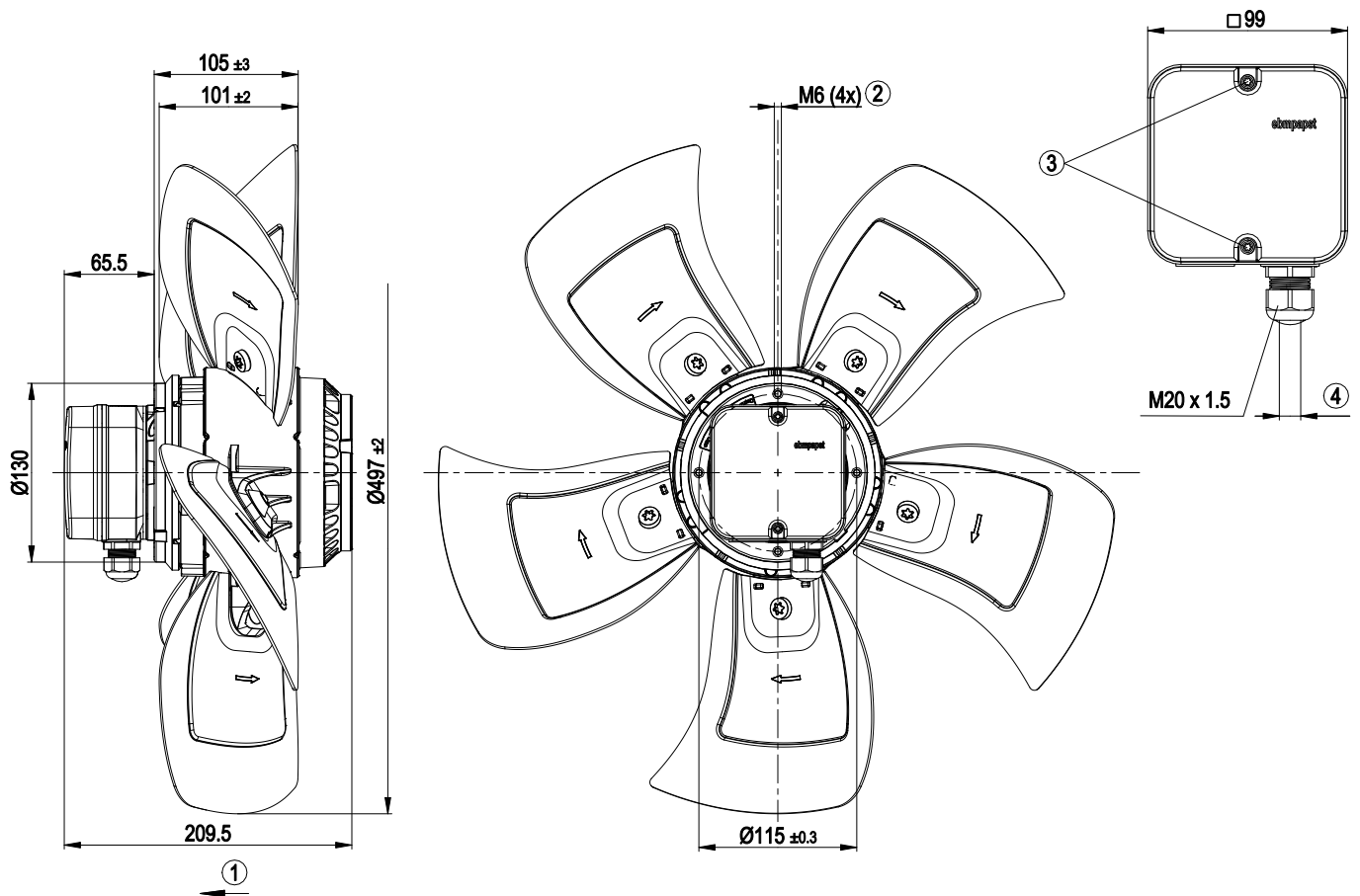
ml = Max. load · me = Max. efficiency · fa = Free air · cs = Customer specification · ce = Customer equipment
 Subject to change



Technical description

Weight	10.2 kg
Fan size	500 mm
Rotor surface	Cast in aluminum
Terminal box material	PP plastic
Blade material	Sheet aluminum
Number of blades	5
Blade pitch	0
Airflow direction	"V"
Direction of rotation	Counterclockwise, viewed toward rotor
Degree of protection	IP54
Insulation class	"F"
Moisture (F) / Environmental (H) protection class	F3-1
Max. permitted ambient temp. for motor (transport/storage)	+ 80 °C
Min. permitted ambient temp. for motor (transport/storage)	- 40 °C
Installation position	Shaft horizontal or rotor on bottom; rotor on top on request
Condensation drainage holes	On rotor side
Mode	S1
Motor bearing	Ball bearing
Touch current according to IEC 60990 (measuring circuit Fig. 4, TN system)	<= 3.5 mA
Electrical hookup	Via terminal box
Motor protection	Thermal overload protector (TOP) with basic insulation
With cable	Axial
Protection class	I (with customer connection of protective earth)
Conformity with standards	EN 61800-5-1
Approval	VDE; EAC

Product drawing

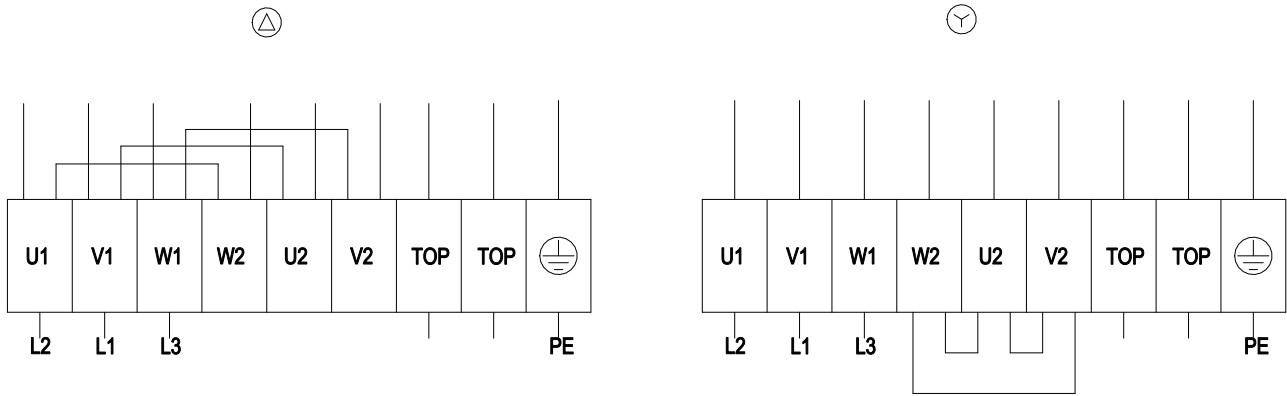


1	Direction of air flow "V"
2	Max. clearance for screw 12 mm
3	Tightening torque 1.5 ± 0.2 Nm
4	Cable diameter min. 6 mm, max. 12 mm; tightening torque 2 ± 0.3 Nm

AC axial fan

sickle-shaped blades (S series)

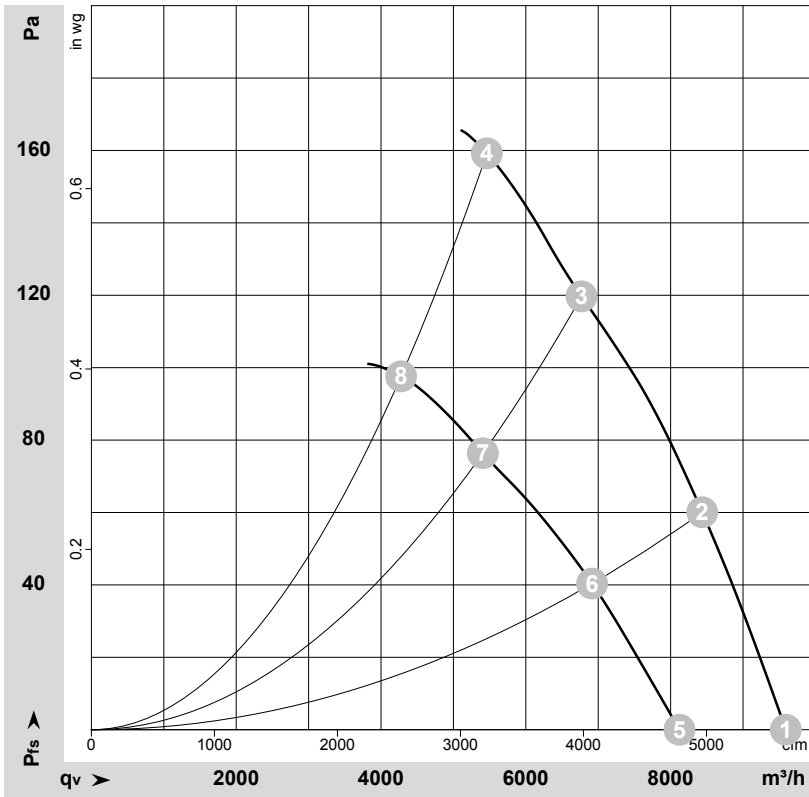
Connection diagram



Δ	Delta connection	Y	Star connection	L1	= V1 = blue
L2	= U1 = black	L3	= W1 = brown	W2	yellow
U2	green	V2	white	TOP	2x gray
PE	green/yellow				



Curves: Air performance 50 Hz



$\rho = 1.15 \text{ kg/m}^3 \pm 2 \%$

Measurement: LU-100710-1
Measurement: LU-100714-1

Air performance measured according to ISO 5801 installation category A. For detailed information on the measurement setup, contact ebm-papst. Intake sound level: Sound power level according to ISO 13347 / sound pressure level measured at 1 m distance from fan axis. The values given are valid under the specified measuring conditions and may vary due to conditions of installation. For deviations from the standard configuration, the parameters have to be checked on the installed unit.

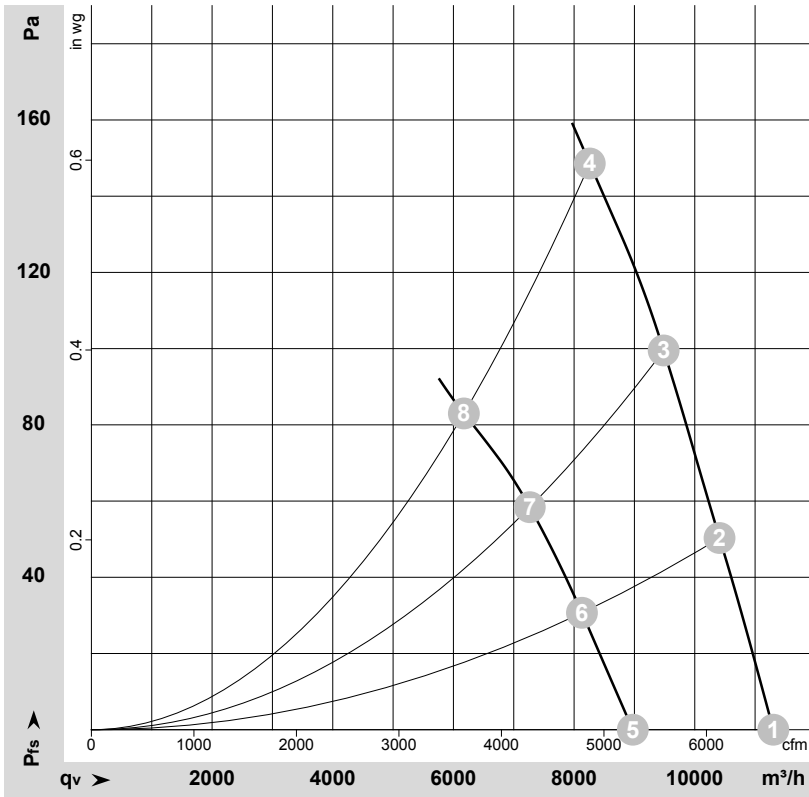
Measured values

	Wired	U	f	n	P _e	I	LpA _{in}	LwA _{in}	qv	P _{fs}	qv	P _{fs}
		V	Hz	min ⁻¹	W	A	dB(A)	dB(A)	m ³ /h	Pa	CFM	inH ₂ O
1	Δ	400	50	1380	615	1.28	71	77	9590	0	5645	0.00
2	Δ	400	50	1360	687	1.37	71	77	8435	60	4965	0.24
3	Δ	400	50	1345	753	1.44	71	78	6770	120	3985	0.48
4	Δ	400	50	1325	820	1.59	74	80	5460	160	3215	0.64
5	Y	400	50	1160	454	0.76			8120	0	4780	0.00
6	Y	400	50	1115	492	0.82			6915	41	4070	0.16
7	Y	400	50	1070	521	0.87			5405	76	3180	0.31
8	Y	400	50	1035	550	0.95			4275	98	2515	0.39

Wired = Wiring · U = Power supply · f = Frequency · n = Speed (rpm) · P_e = Power consumption · I = Current draw · LpA_{in} = Sound pressure level intake side · LwA_{in} = Sound power level intake side
qv = Air flow · P_{fs} = Pressure increase



Curves: Air performance 60 Hz



$\rho = 1.15 \text{ kg/m}^3 \pm 2 \%$

Measurement: LU-100711-1
Measurement: LU-100715-1

Air performance measured according to ISO 5801 installation category A. For detailed information on the measurement setup, contact ebm-papst. Intake sound level: Sound power level according to ISO 13347 / sound pressure level measured at 1 m distance from fan axis. The values given are valid under the specified measuring conditions and may vary due to conditions of installation. For deviations from the standard configuration, the parameters have to be checked on the installed unit.

Measured values

	Wired	U	f	n	P _e	I	LpA _{in}	LwA _{in}	qv	P _{fs}	qv	P _{fs}
		V	Hz	min ⁻¹	W	A	dB(A)	dB(A)	m ³ /h	Pa	CFM	inH ₂ O
1	Δ	480	60	1620	996	1.54	74	80	11300	0	6650	0.00
2	Δ	480	60	1605	1072	1.63	74	80	10410	50	6130	0.20
3	Δ	480	60	1590	1142	1.70	74	80	9485	100	5585	0.40
4	Δ	480	60	1570	1220	1.86	75	81	8260	150	4860	0.60
5	Y	480	60	1285	695	0.97			8975	0	5280	0.00
6	Y	480	60	1250	724	1.02			8130	31	4785	0.12
7	Y	480	60	1210	749	1.06			7265	58	4275	0.23
8	Y	480	60	1170	770	1.13			6175	83	3635	0.33

Wired = Wiring · U = Power supply · f = Frequency · n = Speed (rpm) · P_e = Power consumption · I = Current draw · LpA_{in} = Sound pressure level intake side · LwA_{in} = Sound power level intake side
qv = Air flow · P_{fs} = Pressure increase

