

A4D400-AP12-26 ebmpapst Datasheet

sales@fansco.com

www.fansco.com

Limited partnership · Headquarters Mulfingen
County court Stuttgart · HRA 590344General partner Elektrobau Mulfingen GmbH · Headquarters Mulfingen
County court Stuttgart · HRB 590142

Nominal data

| | | | | |
|-------------------------------|-------------------|------|------|------|
| Type | A4D400-AP12-26 | | | |
| Motor | M4D074-EI | | | |
| Phase | | 3~ | 3~ | 3~ |
| Nominal voltage | VAC | 400 | 400 | 460 |
| Connection | | Y | Y | Y |
| Frequency | Hz | 50 | 60 | 60 |
| Type of data definition | | fa | fa | fa |
| Valid for approval / standard | | CE | CE | CE |
| Speed (rpm) | min ⁻¹ | 1450 | 1690 | 1695 |
| Power input | W | 135 | 185 | 235 |
| Current draw | A | 0.44 | 0.39 | 0.5 |
| Max. back pressure | Pa | 105 | 120 | 130 |
| Min. ambient temperature | °C | -25 | -25 | -25 |
| Max. ambient temperature | °C | 60 | 60 | 55 |
| Starting current | A | 1.7 | 1.7 | |

ml = Max. load · me = Max. efficiency · fa = Running at free air · cs = Customer specs · cu = Customer unit
Subject to alterations

Data according to ErP directive

| | | Actual | Request 2015 | | | |
|-----------------------------------|---|--------|--------------|-------------------------------|-------------------|------|
| 01 Overall efficiency η_{es} | % | 32.7 | 29.1 | 09 Power input P_e | kW | 0.19 |
| 02 Measurement category | | A | | 09 Air flow q_v | m ³ /h | 2595 |
| 03 Efficiency category | | Static | | 09 Pressure increase p_{fs} | Pa | 91 |
| 04 Efficiency grade N | | 43.6 | 40 | 10 Speed (rpm) n | min ⁻¹ | 1415 |
| 05 Variable speed drive | | No | | 11 Specific ratio* | | 1.00 |

Data definition with optimum efficiency.
The ErP data is determined using a motor-impeller combination in a standardised measurement configuration.* Specific ratio = $1 + p_g / 100\,000\text{ Pa}$

LU-27622



AC axial fan

sickled blades (S series), single inlet

Technical features

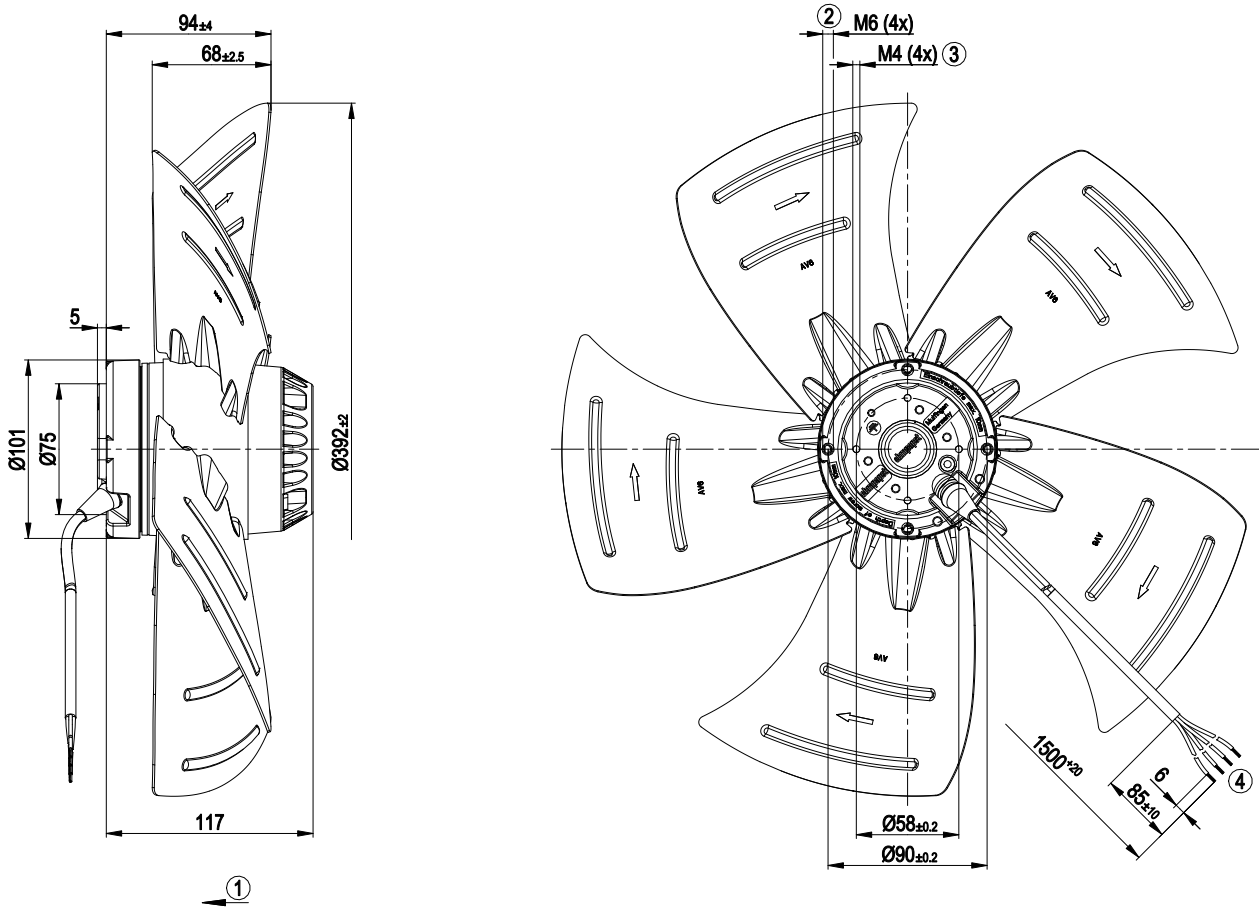
| | |
|---|---|
| Mass | 4.2 kg |
| Size | 400 mm |
| Surface of rotor | Coated in black |
| Material of blades | Sheet steel, coated in black |
| Number of blades | 5 |
| Direction of air flow | "V" |
| Direction of rotation | Counter-clockwise, seen on rotor |
| Type of protection | IP 44; Depending on installation and position as per EN 60034-5 |
| Insulation class | "F" |
| Humidity (F)/environmental protection class (H) | F2-2 |
| Max. permissible ambient motor temp. (transp./ storage) | + 80 °C |
| Min. permissible ambient motor temp. (transp./storage) | - 40 °C |
| Mounting position | Shaft horizontal or rotor on bottom; rotor on top on request |
| Condensate discharge holes | Rotor-side |
| Operation mode | S1 |
| Motor bearing | Ball bearing |
| Touch current acc. IEC 60990 (measuring network Fig. 4, TN system) | < 0.75 mA |
| Motor protection | Thermal overload protector (TOP) wired internally |
| Cable exit | Variable |
| Protection class | I (if protective earth is connected by customer) |
| Product conforming to standard | EN 60335-1; CE |



AC axial fan

sickled blades (S series), single inlet

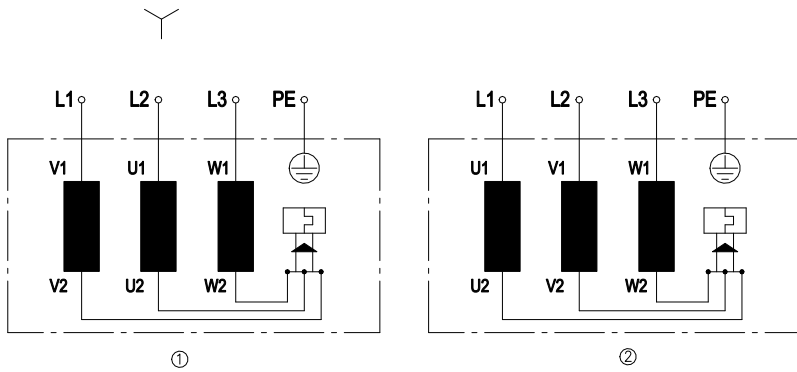
Product drawing



| | |
|---|---|
| 1 | Direction of air flow "V" |
| 2 | Thread reach max. 10 mm |
| 3 | Thread reach max. 5 mm |
| 4 | Connection line halogen- and silicone-free, 4G 0.5 mm ² , 4x lead tips crimped |



Connection screen

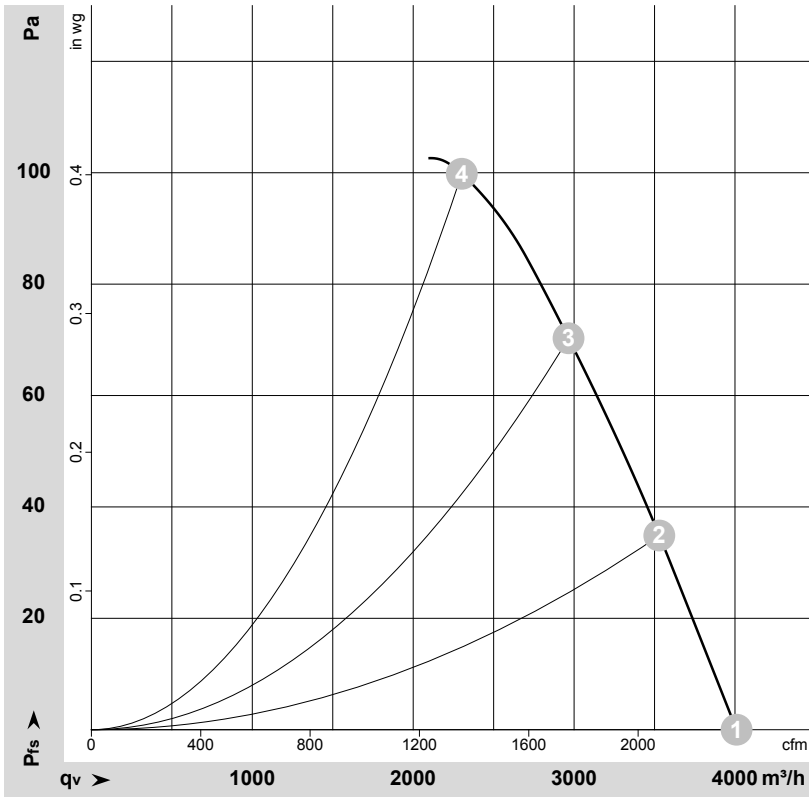


Change direction of rotation by reversing two phases

| | |
|----|--------------------------|
| | Three-phase motor |
| Y | Star connection |
| 1 | Anti-clockwise operation |
| L1 | = V1 = blue |
| L2 | = U1 = black |
| L3 | = W1 = brown |
| 2 | Clockwise operation |
| L1 | =U1=black |
| L2 | =V1=blue |
| L3 | =W1=brown |
| PE | green / yellow |



Charts: Air flow 50 Hz



$\rho = 1.15 \text{ kg/m}^3 \pm 2 \%$

Measurement: LU-27622-1

Air performance measured as per ISO 5801 Installation category A. For detailed information on the measuring set-up, please contact ebmpapst. Suction-side noise levels: LwA measured as per ISO 13347 / LpA measured with 1m distance to fan axis. The values given are valid under the measuring conditions mentioned above and may vary according to the actual installation situation. With any deviation from the standard set-up, the specific values have to be checked and reviewed with the unit installed.

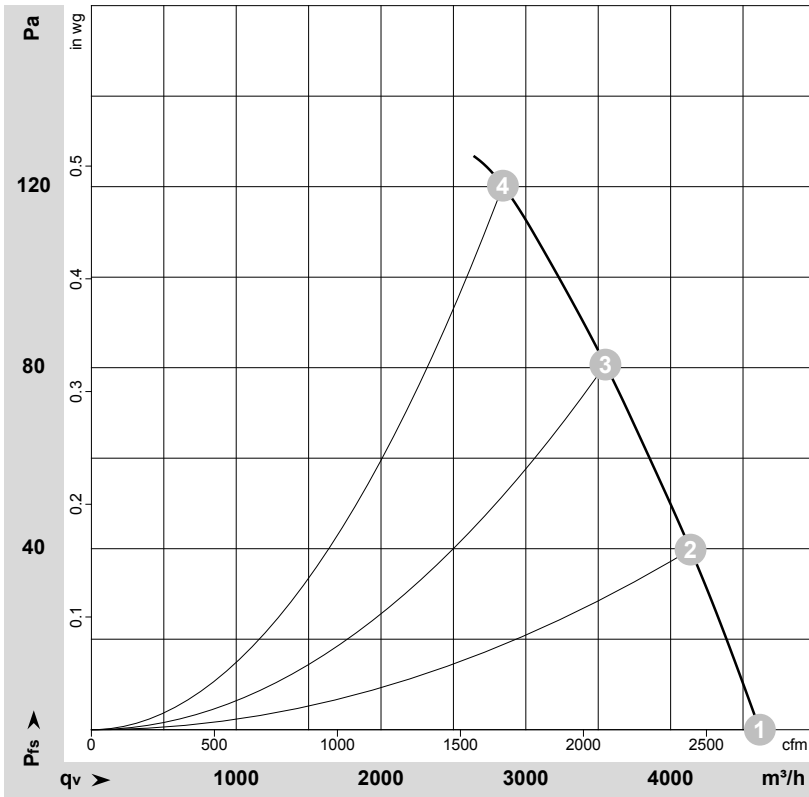
Measured values

| | Conn. | U | f | n | P _e | I | q _v | P _{fs} | q _v | P _{fs} |
|---|-------|-----|----|-------------------|----------------|------|-------------------|-----------------|----------------|-----------------|
| | | V | Hz | min ⁻¹ | W | A | m ³ /h | Pa | cfm | inH2O |
| 1 | Y | 400 | 50 | 1450 | 135 | 0.44 | 4010 | 0 | 2360 | 0.00 |
| 2 | Y | 400 | 50 | 1435 | 161 | 0.47 | 3530 | 35 | 2080 | 0.14 |
| 3 | Y | 400 | 50 | 1420 | 183 | 0.49 | 2965 | 70 | 1745 | 0.28 |
| 4 | Y | 400 | 50 | 1410 | 204 | 0.50 | 2300 | 100 | 1355 | 0.40 |

Conn. = Connection · U = Supply voltage · f = Frequency · n = Speed (rpm) · P_e = Power input · I = Current draw · q_v = Air flow · P_e = Pressure increase



Charts: Air flow 60 Hz



$\rho = 1.15 \text{ kg/m}^3 \pm 2 \%$

Measurement: LU-27623-1

Air performance measured as per ISO 5801 Installation category A. For detailed information on the measuring set-up, please contact ebmpapst. Suction-side noise levels: LwA measured as per ISO 13347 / LpA measured with 1m distance to fan axis. The values given are valid under the measuring conditions mentioned above and may vary according to the actual installation situation. With any deviation from the standard set-up, the specific values have to be checked and reviewed with the unit installed.

Measured values

| | Conn. | U | f | n | P _e | I | q _v | p _{fs} | q _v | p _{fs} |
|---|-------|-----|----|-------------------|----------------|------|-------------------|-----------------|----------------|-----------------|
| | | V | Hz | min ⁻¹ | W | A | m ³ /h | Pa | cfm | inH2O |
| 1 | Y | 400 | 60 | 1690 | 185 | 0.39 | 4615 | 0 | 2715 | 0.00 |
| 2 | Y | 400 | 60 | 1660 | 223 | 0.45 | 4140 | 40 | 2435 | 0.16 |
| 3 | Y | 400 | 60 | 1635 | 257 | 0.49 | 3550 | 80 | 2090 | 0.32 |
| 4 | Y | 400 | 60 | 1605 | 292 | 0.54 | 2840 | 120 | 1675 | 0.48 |

Conn. = Connection · U = Supply voltage · f = Frequency · n = Speed (rpm) · P_e = Power input · I = Current draw · q_v = Air flow · p_{fs} = Pressure increase

