

A4D300-AS34-01 ebmpapst Datasheet

sales@fansco.com

www.fansco.com

Nominal data

| | | | |
|-----------------------------|-------------------|------|------|
| Type | A4D300-AS34-01 | | |
| Motor | M4D068-CF | | |
| Phase | | 3~ | 3~ |
| Nominal voltage | VAC | 400 | 400 |
| Wiring | | Y | Y |
| Frequency | Hz | 50 | 60 |
| Method of obtaining data | | ml | ml |
| Valid for approval/standard | | CE | CE |
| Speed (rpm) | min ⁻¹ | 1300 | 1400 |
| Power consumption | W | 68 | 90 |
| Current draw | A | 0.14 | 0.15 |
| Max. back pressure | Pa | 60 | 70 |
| Max. back pressure | in. wg | 0.24 | 0.28 |
| Min. ambient temperature | °C | -25 | -25 |
| Max. ambient temperature | °C | 60 | 55 |

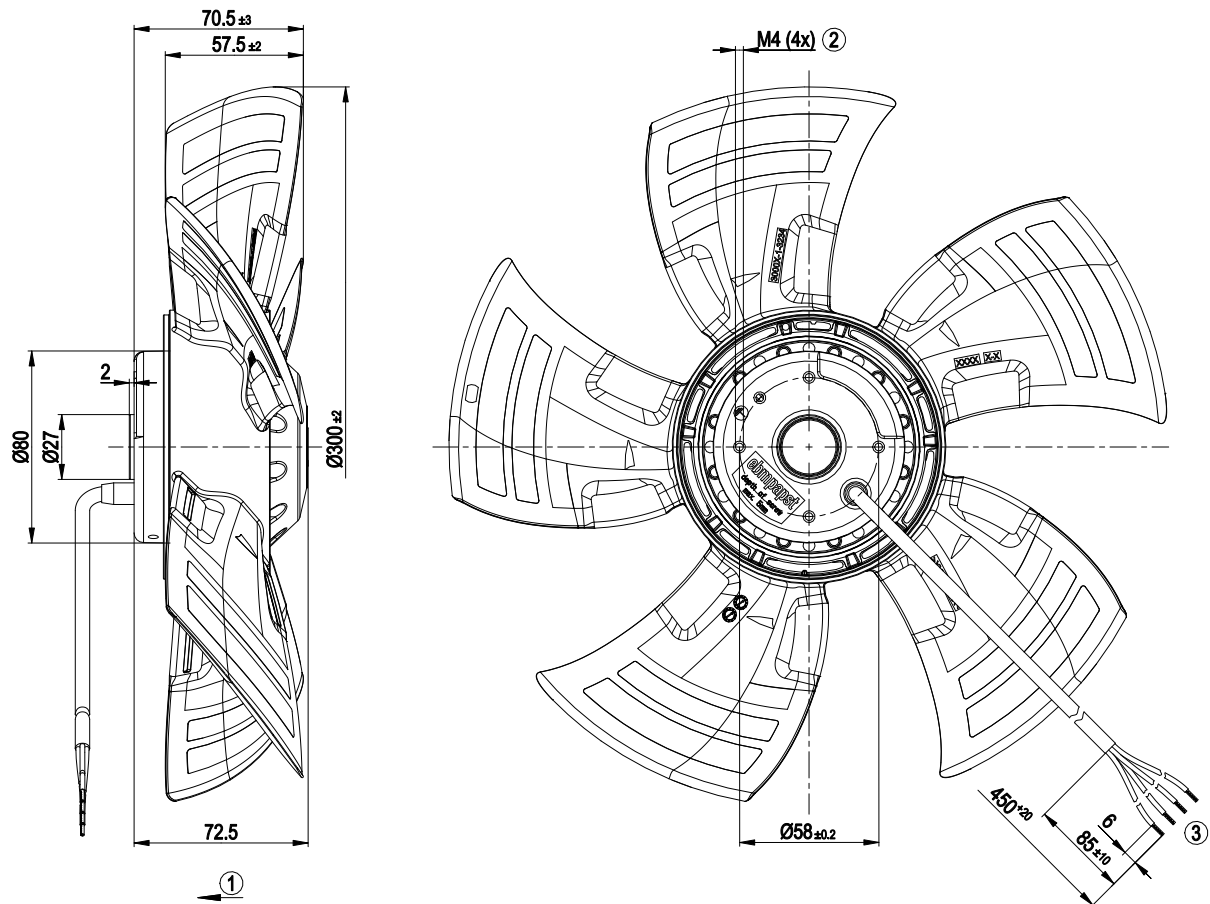
ml = Max. load · me = Max. efficiency · fa = Free air · cs = Customer specification · ce = Customer equipment
 Subject to change



Technical description

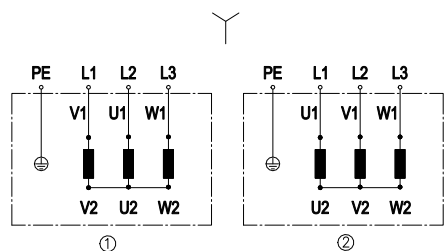
| | |
|--|--|
| Weight | 1.6 kg |
| Size | 300 mm |
| Motor size | 68 |
| Rotor surface | Painted black |
| Impeller material | PP plastic |
| Number of blades | 5 |
| Airflow direction | V |
| Direction of rotation | Counterclockwise, viewed toward rotor |
| Degree of protection | IP44; installation- and position-dependent as per EN 60034-5 |
| Insulation class | "B" |
| Moisture (F) / Environmental (H) protection class | H1 |
| Max. permitted ambient temp. for motor (transport/storage) | + 80 °C |
| Min. permitted ambient temp. for motor (transport/storage) | - 40 °C |
| Installation position | Shaft horizontal or rotor on bottom; rotor on top on request |
| Condensation drainage holes | On rotor side |
| Mode | S1 |
| Motor bearing | Ball bearing |
| Touch current according to IEC 60990 (measuring circuit Fig. 4, TN system) | < 0.75 mA |
| With cable | Axial |
| Protection class | I (with customer connection of protective earth) |
| Conformity with standards | EN 60335-1, motor does not have factory-installed overheating protection; CE; UKCA |
| Approval | EAC; CCC |

Product drawing



| | |
|---|---|
| 1 | Direction of air flow "V" |
| 2 | Max. clearance for screw 5 mm |
| 3 | Cable PVC 4G 0.5 mm ² , 4x crimped splices |

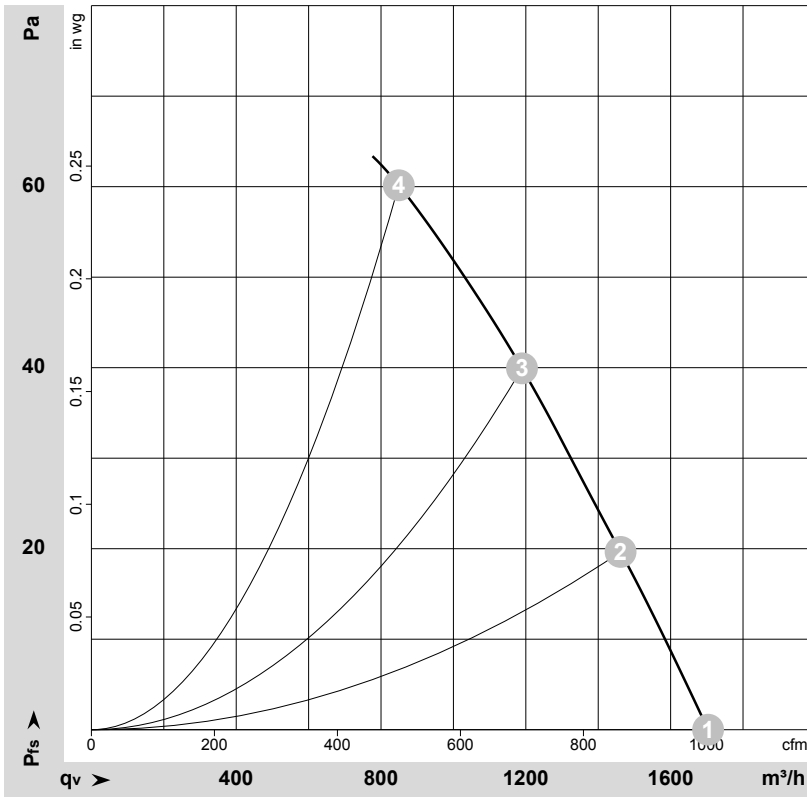
Connection diagram



Change of rotation direction by reversing two phases

| | |
|----|----------------------------|
| | Three-phase motor |
| Y | Star connection |
| 1 | Counterclockwise operation |
| L1 | = V1 = blue |
| L2 | = U1 = black |
| L3 | = W1 = brown |
| 2 | Clockwise operation |
| L1 | = U1 = black |
| L2 | = V1 = blue |
| L3 | = W1 = brown |
| PE | green/yellow |

Curves: Air performance 50 Hz



$\rho = 1.15 \text{ kg/m}^3 \pm 2 \%$

Measurement: LU-114649-1

Air performance measured according to ISO 5801 installation category A. For detailed information on the measurement setup, contact ebmpapst. Intake sound level: Sound power level according to ISO 13347 / sound pressure level measured at 1 m distance from fan axis. The values given are valid under the specified measuring conditions and may vary due to conditions of installation. For deviations from the standard configuration, the parameters have to be checked on the installed unit.

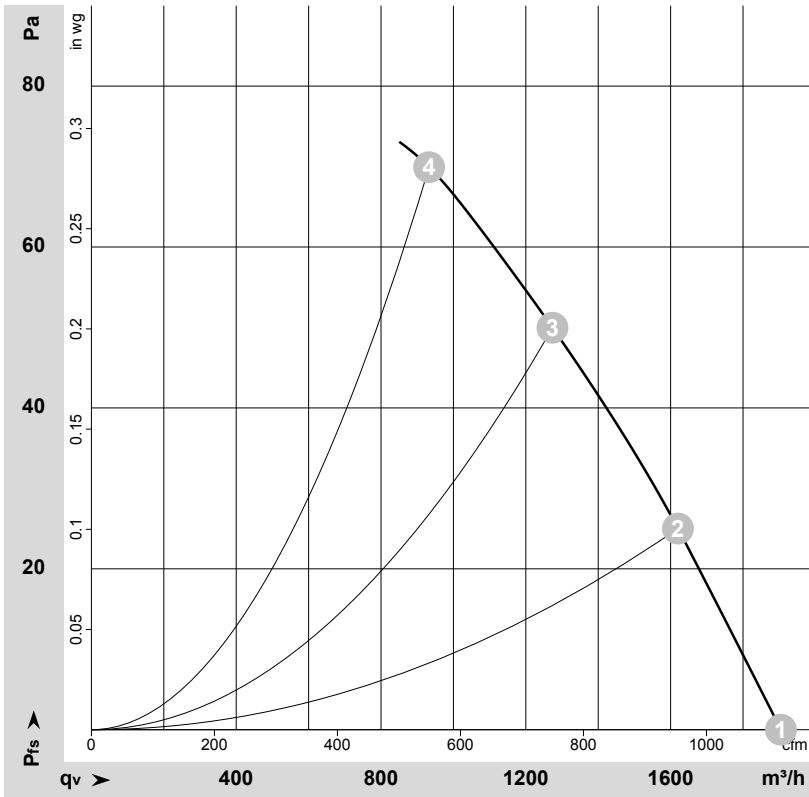
Measured values

| | Wired | U | f | n | P _e | I | LpA _{in} | LwA _{in} | q _v | P _{fs} | q _v | P _{fs} |
|---|-------|-----|----|-------------------|----------------|------|-------------------|-------------------|-------------------|-----------------|----------------|-----------------|
| | | V | Hz | min ⁻¹ | W | A | dB(A) | dB(A) | m ³ /h | Pa | cfm | in. wg |
| 1 | Y | 400 | 50 | 1370 | 53 | 0.13 | 52 | 59 | 1705 | 0 | 1000 | 0.00 |
| 2 | Y | 400 | 50 | 1350 | 57 | 0.13 | 51 | 58 | 1460 | 20 | 860 | 0.08 |
| 3 | Y | 400 | 50 | 1335 | 61 | 0.13 | 51 | 58 | 1190 | 40 | 700 | 0.16 |
| 4 | Y | 400 | 50 | 1300 | 68 | 0.14 | 57 | 65 | 850 | 60 | 500 | 0.24 |

Wired = Wiring · U = Voltage · f = Frequency · n = Speed (rpm) · P_e = Power consumption · I = Current draw · LpA_{in} = Sound pressure level intake side · LwA_{in} = Sound power level intake side
 q_v = Air flow · P_{fs} = Pressure increase



Curves: Air performance 60 Hz



$\rho = 1.15 \text{ kg/m}^3 \pm 2 \%$

Measurement: LU-114653-1

Air performance measured according to ISO 5801 installation category A. For detailed information on the measurement setup, contact ebmpapst. Intake sound level: Sound power level according to ISO 13347 / sound pressure level measured at 1 m distance from fan axis. The values given are valid under the specified measuring conditions and may vary due to conditions of installation. For deviations from the standard configuration, the parameters have to be checked on the installed unit.

Measured values

| | Wired | U | f | n | P_e | I | LpA_{in} | LwA_{in} | q_v | P_{fs} | q_v | P_{fs} |
|---|-------|-----|----|-------------------|-------|------|------------|------------|-----------------------|----------|-------|----------|
| | | V | Hz | min^{-1} | W | A | dB(A) | dB(A) | m^3/h | Pa | cfm | in. wg |
| 1 | Y | 400 | 60 | 1530 | 69 | 0.13 | 55 | 62 | 1905 | 0 | 1120 | 0.00 |
| 2 | Y | 400 | 60 | 1495 | 75 | 0.13 | 54 | 61 | 1620 | 25 | 955 | 0.10 |
| 3 | Y | 400 | 60 | 1460 | 80 | 0.14 | 54 | 61 | 1275 | 50 | 750 | 0.20 |
| 4 | Y | 400 | 60 | 1400 | 90 | 0.15 | 60 | 68 | 935 | 70 | 550 | 0.28 |

Wired = Wiring · U = Voltage · f = Frequency · n = Speed (rpm) · P_e = Power consumption · I = Current draw · LpA_{in} = Sound pressure level intake side · LwA_{in} = Sound power level intake side
 q_v = Air flow · P_{fs} = Pressure increase

