

# EC axial fan

sickle-shaped blades (S series)

A3G350-AN01-27 ebmpapst Datasheet  
 sales@fansco.com  
 www.fansco.com

Limited partnership · Headquarters Mulfingen  
 Amtsgericht (court of registration) Stuttgart · HRA 590344  
 General partner Elektrobau Mulfingen GmbH · Headquarters Mulfingen  
 Amtsgericht (court of registration) Stuttgart · HRB 590142

## Nominal data

Type	A3G350-AN01-27	
Motor	M3G074-CF	
Phase		1~
Nominal voltage	VAC	230
Nominal voltage range	VAC	200 .. 240
Frequency	Hz	50/60
Method of obtaining data		ml
Speed (rpm)	min <sup>-1</sup>	1475
Power consumption	W	165
Current draw	A	1.35
Max. back pressure	Pa	100
Max. back pressure	in. wg	0.4
Min. ambient temperature	°C	-40
Max. ambient temperature	°C	40

ml = Max. load · me = Max. efficiency · fa = Free air · cs = Customer specification · ce = Customer equipment  
 Subject to change

## Data according to Commission Regulation (EU) 327/2011

		Actual	Req. 2015
01 Overall efficiency $\eta_{es}$	%	39.9	28.7
02 Measurement category		A	
03 Efficiency category		Static	
04 Efficiency grade N		51.2	40
05 Variable speed drive		Yes	

Data obtained at optimum efficiency level.  
 The ErP data is determined using a motor-impeller combination in a standardized measurement setup.

09 Power consumption $P_{ed}$	kW	0.16
09 Air flow $q_v$	m <sup>3</sup> /h	2400
09 Pressure increase $p_{fs}$	Pa	87
10 Speed (rpm) n	min <sup>-1</sup>	1495
11 Specific ratio*		1.00

\* Specific ratio =  $1 + p_{fs} / 100\,000\text{ Pa}$

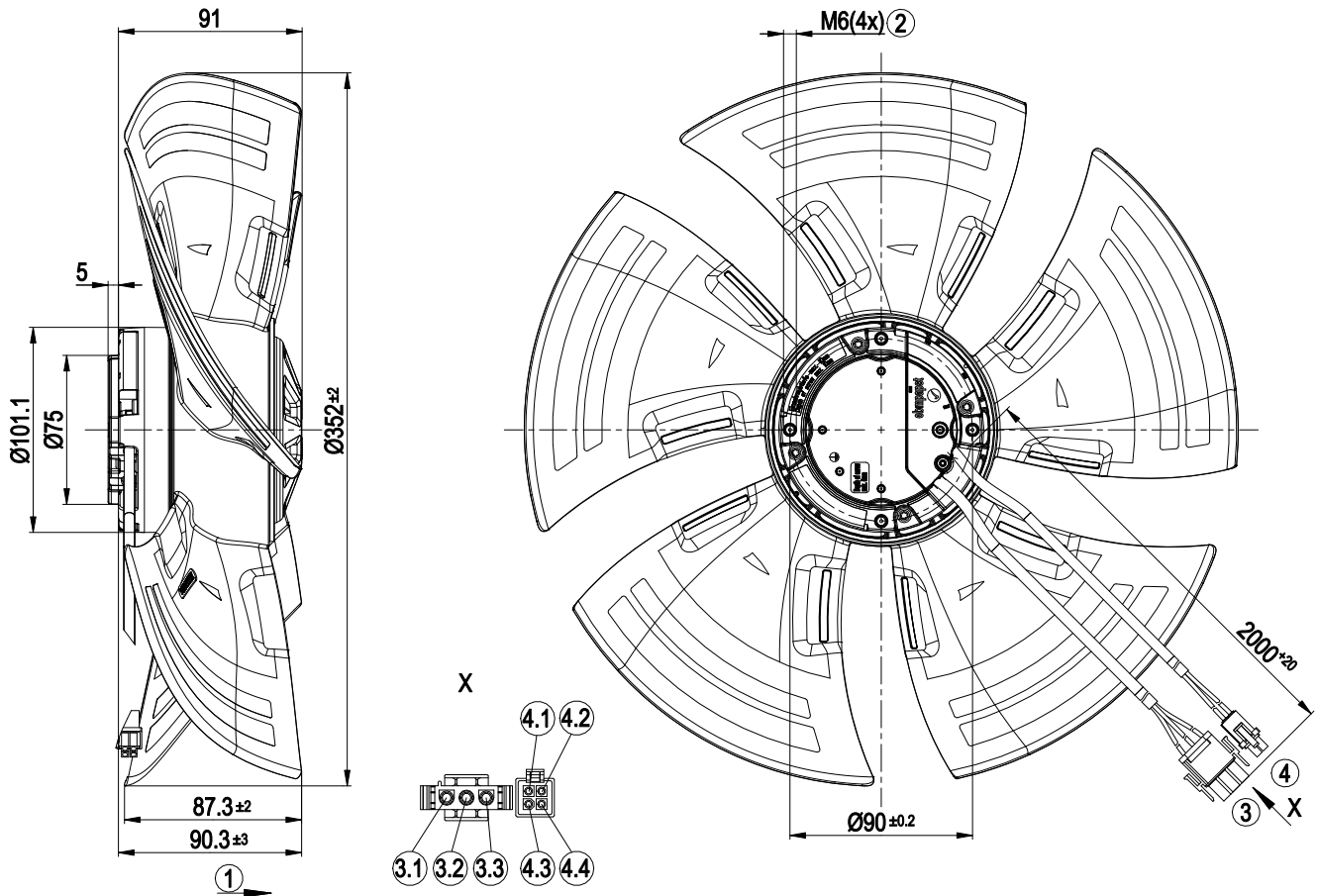
LU-134592



### Technical description

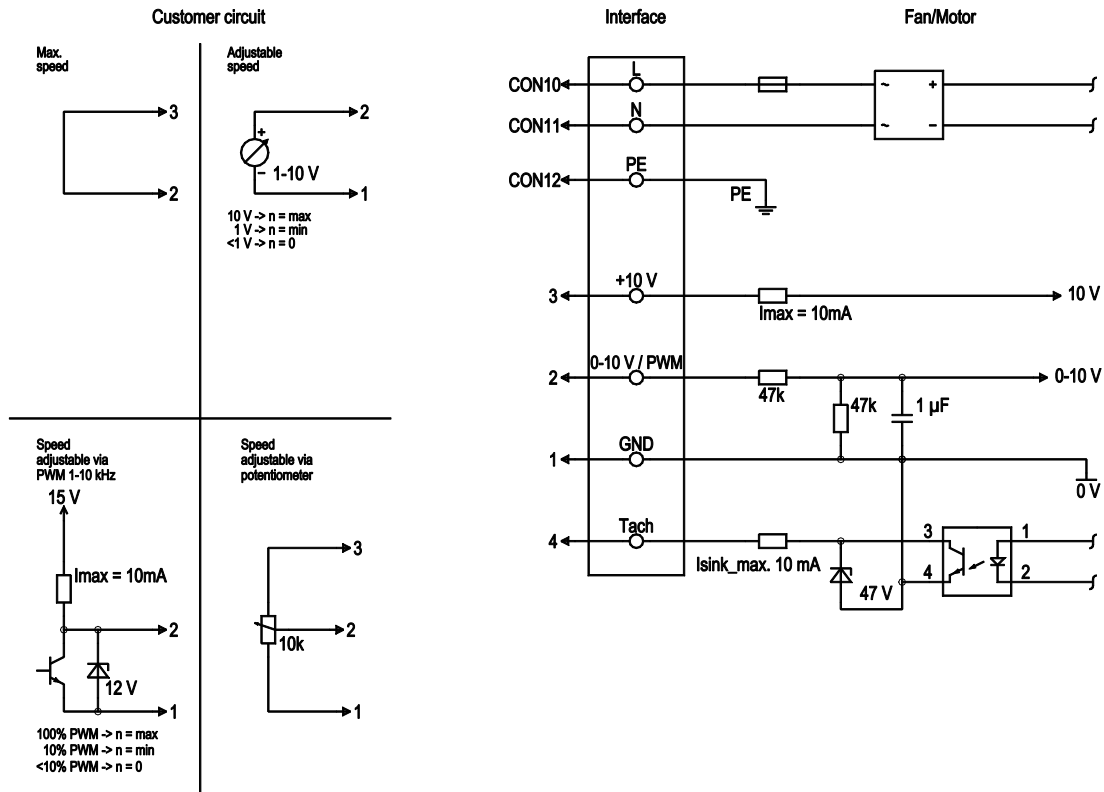
Weight	2 kg
Size	350 mm
Motor size	74
Rotor surface	Thick-film passivated
Blade material	Press-fitted sheet steel blank, sprayed with PP plastic
Number of blades	5
Airflow direction	A
Direction of rotation	Clockwise, viewed toward rotor
Degree of protection	IP54
Insulation class	"B"
Moisture (F) / Environmental (H) protection class	H1
Ambient temperature note	Brief periods of operation at 60 °C ambient temperature possible
Max. permitted ambient temp. for motor (transport/storage)	+ 70 °C
Min. permitted ambient temp. for motor (transport/storage)	- 40 °C
Installation position	Any
Condensation drainage holes	None, open rotor
Cooling hole/opening	On rotor side
Mode	S1
Motor bearing	Ball bearing with low-temperature lubricant
Technical features	<ul style="list-style-type: none"> <li>- Output 10 VDC, max. 10 mA</li> <li>- Tach output</li> <li>- Power limiter</li> <li>- Motor current limitation</li> <li>- Soft start</li> <li>- Control input 10-0 VDC / PWM</li> <li>- Control interface with SELV potential safely disconnected from the mains</li> <li>- Overvoltage detection</li> <li>- Thermal overload protection for electronics/motor</li> <li>- Line undervoltage detection</li> </ul>
Touch current according to IEC 60990 (measuring circuit Fig. 4, TN system)	<= 3.5 mA
Electrical hookup	Connector with cable
Motor protection	Electronic motor protection
With cable	Variable
Protection class	I (with customer connection of protective earth)
Conformity with standards	EN 60034-1; EN 60204-1; CE

## Product drawing



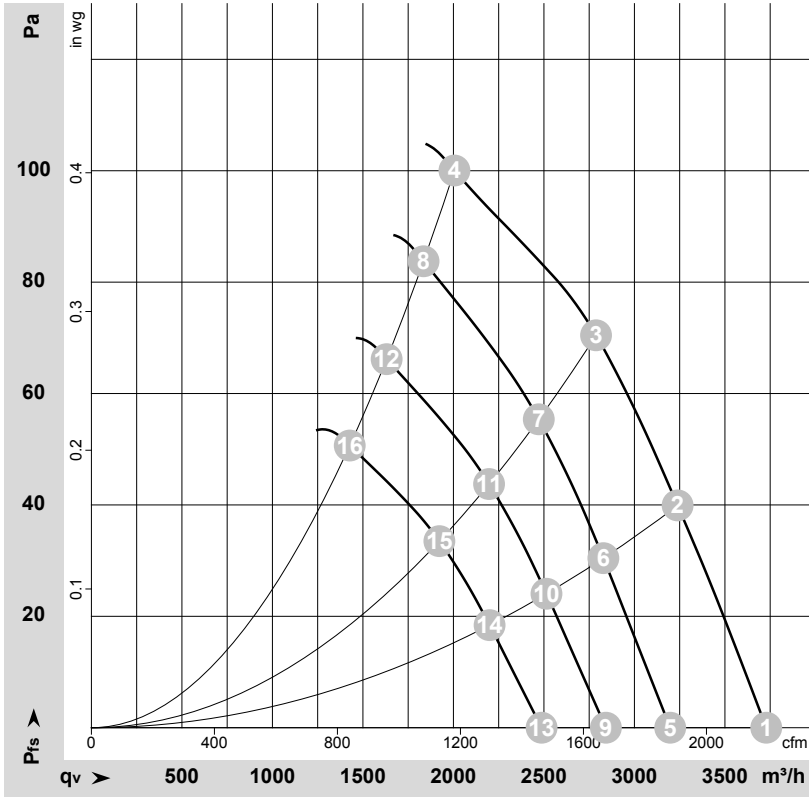
1	Direction of air flow "A"
2	Max. clearance for screw 10 mm
3	Cable PVC AWG20 3-pole connector housing tyco 350766-4 3x socket TE 350536-1
3.1	L (black)
3.2	N (blue)
3.3	PE (green/yellow)
4	Cable PVC AWG22 4-pole connector housing TE 794805-1 4x plug pin TE 1-770903-1
4.1	GND (blue)
4.2	0-10 V/PWM (yellow)
4.3	+10 V (red)
4.4	Tach (white)

## Connection diagram



No.	Conn.	Designation	Color	Function/assignment
	CON10	L	black	Supply connection, power supply, phase, see nameplate for voltage range
	CON11	N	blue	Supply connection, power supply, neutral conductor, see nameplate for voltage range
	CON12	PE	green/yellow	Ground connection
	2	0- 10V PWM	yellow	0-10 V / PWM control input, R <sub>i</sub> =100 kΩ, SELV
	4	Tach	white	Tach output, open collector, 1 pulse per revolution, I <sub>sink_max</sub> = 10 mA, SELV
	3	+10 V	red	Fixed voltage output 10 VDC +/-3 %, I <sub>max</sub> . 10 mA, short-circuit-proof, power supply for ext. devices (e.g. pot), SELV
	1	GND	blue	Reference ground for control interface, SELV

## Curves: Air performance 50 Hz



$\rho = 1.15 \text{ kg/m}^3 \pm 2 \%$

Measurement: LU-134592-1

Air performance measured according to ISO 5801 installation category A. For detailed information on the measurement setup, contact ebmpapst. Intake sound level: Sound power level according to ISO 13347 / sound pressure level measured at 1 m distance from fan axis. The values given are valid under the specified measuring conditions and may vary due to conditions of installation. For deviations from the standard configuration, the parameters have to be checked on the installed unit.

## Measured values

	U	f	n	P <sub>ed</sub>	I	LpA <sub>in</sub>	LwA <sub>in</sub>	q <sub>v</sub>	P <sub>fs</sub>	q <sub>v</sub>	P <sub>fs</sub>
	V	Hz	min <sup>-1</sup>	W	A	dB(A)	dB(A)	m <sup>3</sup> /h	Pa	cfm	in. wg
1	230	50	1575	141	1.15	64	71	3730	0	2195	0.00
2	230	50	1545	155	1.24	61	68	3240	40	1905	0.16
3	230	50	1525	164	1.32	58	66	2790	70	1640	0.28
4	230	50	1475	165	1.35	59	67	2005	100	1180	0.40
5	230	50	1350	89	0.72	60	67	3200	0	1880	0.00
6	230	50	1350	103	0.83	58	65	2830	31	1665	0.12
7	230	50	1350	114	0.92	55	62	2470	55	1455	0.22
8	230	50	1350	127	1.02	56	64	1835	84	1080	0.34
9	230	50	1200	63	0.51	57	64	2840	0	1675	0.00
10	230	50	1200	72	0.58	55	62	2515	24	1480	0.10
11	230	50	1200	80	0.65	52	60	2195	44	1295	0.18
12	230	50	1200	89	0.72	53	61	1630	66	960	0.26
13	230	50	1050	42	0.34	53	60	2485	0	1465	0.00
14	230	50	1050	49	0.39	51	59	2200	19	1295	0.08
15	230	50	1050	54	0.43	49	56	1920	34	1130	0.14
16	230	50	1050	60	0.48	50	58	1425	51	840	0.20

U = Voltage · f = Frequency · n = Speed (rpm) · P<sub>ed</sub> = Power consumption · I = Current draw · LpA<sub>in</sub> = Sound pressure level intake side · LwA<sub>in</sub> = Sound power level intake side  
 q<sub>v</sub> = Air flow · P<sub>fs</sub> = Pressure increase

