

A2E250-AE65-17

AC axial fan

straight blades (A series)
with round full nozzle



A2E250-AE65-17 ebmpapst Datasheet
sales@fansco.com
www.fansco.com

Limited partnership · Headquarters Mulfingen
Amtsgericht (court of registration) Stuttgart · HRA 590344

General partner Elektrobau Mulfingen GmbH · Headquarters Mulfingen
Amtsgericht (court of registration) Stuttgart · HRB 590142

Nominal data

| | | | | |
|-----------------------------|--------------------|---------|---------|---------|
| Type | A2E250-AE65-17 | | | |
| Motor | M2E068-DF | | | |
| Phase | | 1~ | 1~ | 1~ |
| Nominal voltage | VAC | 230 | 230 | 230 |
| Frequency | Hz | 50 | 60 | 60 |
| Method of obtaining data | | fa | fa | fa |
| Status | | prelim. | prelim. | prelim. |
| Valid for approval/standard | | CE | CE | UL |
| Speed (rpm) | min ⁻¹ | 2550 | 2750 | 2750 |
| Power consumption | W | 115 | 165 | 175 |
| Current draw | A | 0.51 | 0.74 | 0.74 |
| Capacitor | µF | 4 | 4 | 4 |
| Capacitor voltage | VDB | 400 | 400 | 400 |
| Capacitor standard | | S0 (CE) | S0 (CE) | UL |
| Max. back pressure | Pa | 150 | 130 | 130 |
| Max. back pressure | inH ₂ O | 0.6 | 0.52 | 0.52 |
| Min. ambient temperature | °C | -25 | -25 | -25 |
| Max. ambient temperature | °C | 75 | 70 | 70 |
| Starting current | A | 0.9 | 0.9 | 0.9 |

ml = Max. load · me = Max. efficiency · fa = Free air · cs = Customer specification · ce = Customer equipment
Subject to change



AC axial fan

straight blades (A series)

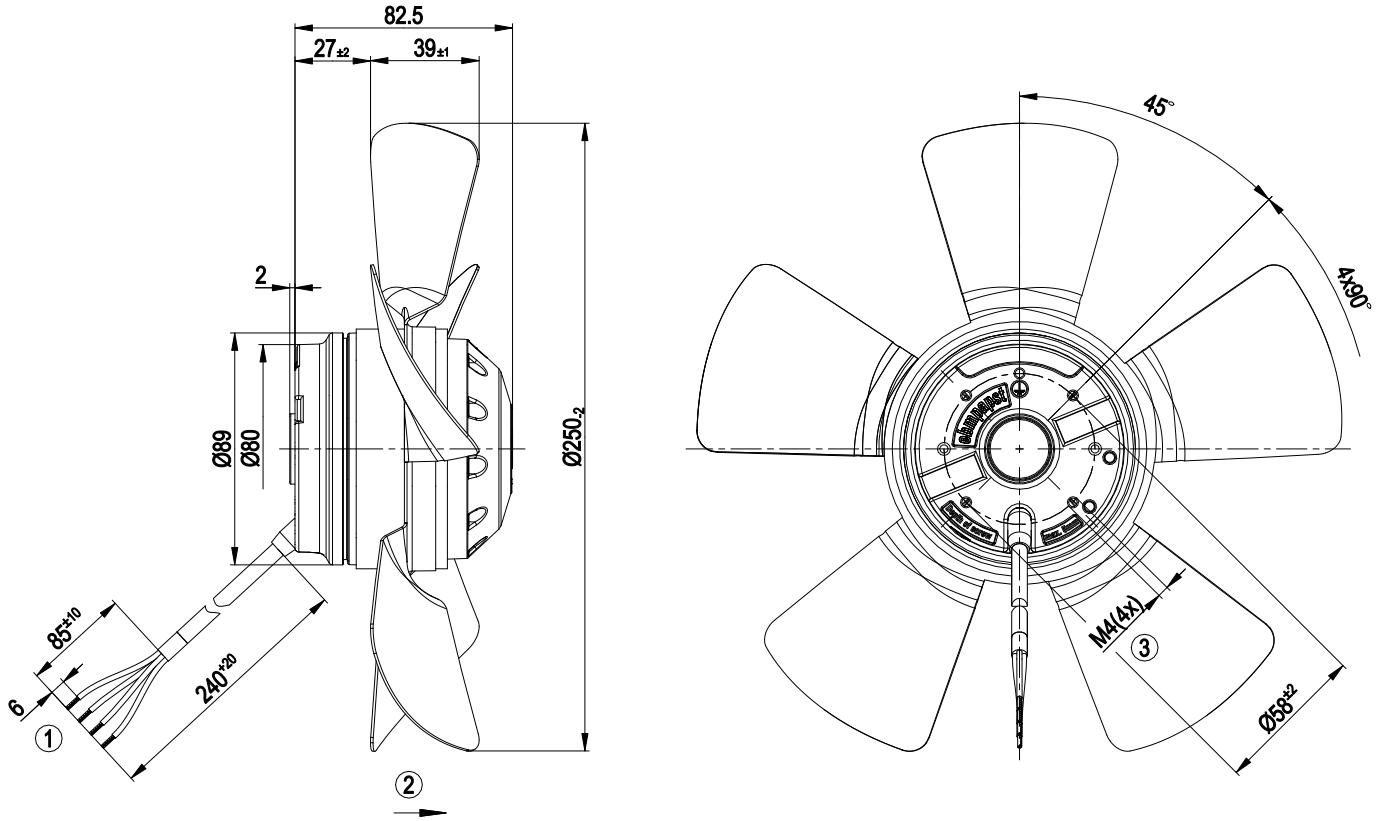
with round full nozzle

Technical description

| | |
|---|---|
| Weight | 2.2 kg |
| Fan size | 250 mm |
| Rotor surface | Painted black |
| Impeller material | Sheet steel, hot-dip galvanized |
| Airflow direction | "A" |
| Direction of rotation | Clockwise, viewed toward rotor |
| Degree of protection | IP44; installation- and position-dependent |
| Insulation class | "F" |
| Moisture (F) / Environmental (H) protection class | F2-2 |
| Max. permitted ambient temp. for motor (transport/storage) | + 80 °C |
| Min. permitted ambient temp. for motor (transport/storage) | - 40 °C |
| Installation position | Any |
| Mode | S1 |
| Motor bearing | Ball bearing |
| Touch current according to IEC 60990 (measuring circuit Fig. 4, TN system) | < 0.75 mA |
| Motor protection | Thermal overload protector (TOP) internally connected |
| With cable | Variable |
| Conformity with standards | EN 60335-1; CE |
| Approval | UL 1004-1; CSA C22.2 No. 100 |

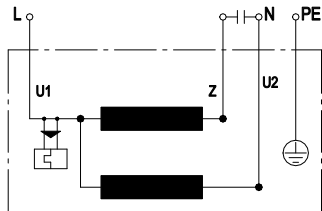


Product drawing



| | |
|---|--|
| 1 | Cable PFA 4G 0.5 mm ² , 4x crimped splice |
| 2 | Airflow direction "A" |
| 3 | Max. clearance for screw 5 mm |

Connection diagram

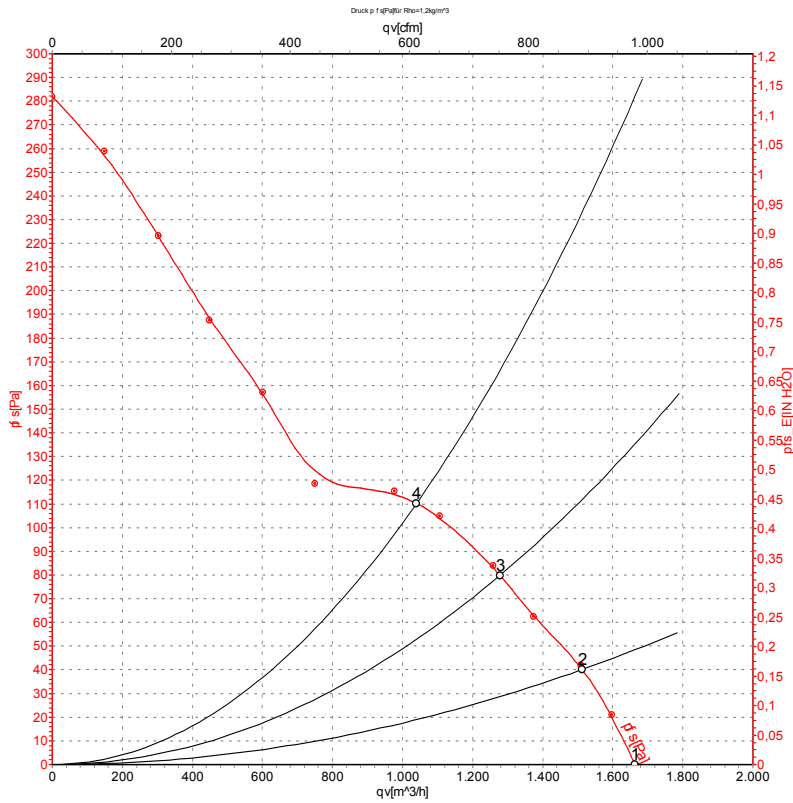


| | | | | | |
|----|--------------|---|-------|----|-------|
| U1 | blue | Z | brown | U2 | black |
| PE | green/yellow | | | | |

AC axial fan

straight blades (A series)
with round full nozzle

Curves: Air performance 50 Hz



Measurement: LU-68411-1

Air performance measured according to ISO 5801 installation category A. For detailed information on the measurement setup, contact ebmpapst. Intake sound level: Sound power level according to ISO 13347 / sound pressure level measured at 1 m distance from fan axis. The values given are valid under the specified measuring conditions and may vary due to conditions of installation. For deviations from the standard configuration, the parameters have to be checked on the installed unit.

Measured values

| | U | f | n | P _e | I | q _v | p _{fs} | q _v | p _{fs} |
|---|-----|----|-------------------|----------------|------|-------------------|-----------------|----------------|--------------------|
| | V | Hz | min ⁻¹ | W | A | m ³ /h | Pa | cfm | inH ₂ O |
| 1 | 230 | 50 | 2550 | 115 | 0.51 | 1660 | 0 | 975 | 0.00 |
| 2 | 230 | 50 | 2460 | 127 | 0.55 | 1515 | 40 | 890 | 0.16 |
| 3 | 230 | 50 | 2430 | 129 | 0.56 | 1280 | 80 | 750 | 0.32 |
| 4 | 230 | 50 | 2430 | 129 | 0.56 | 1040 | 110 | 610 | 0.44 |

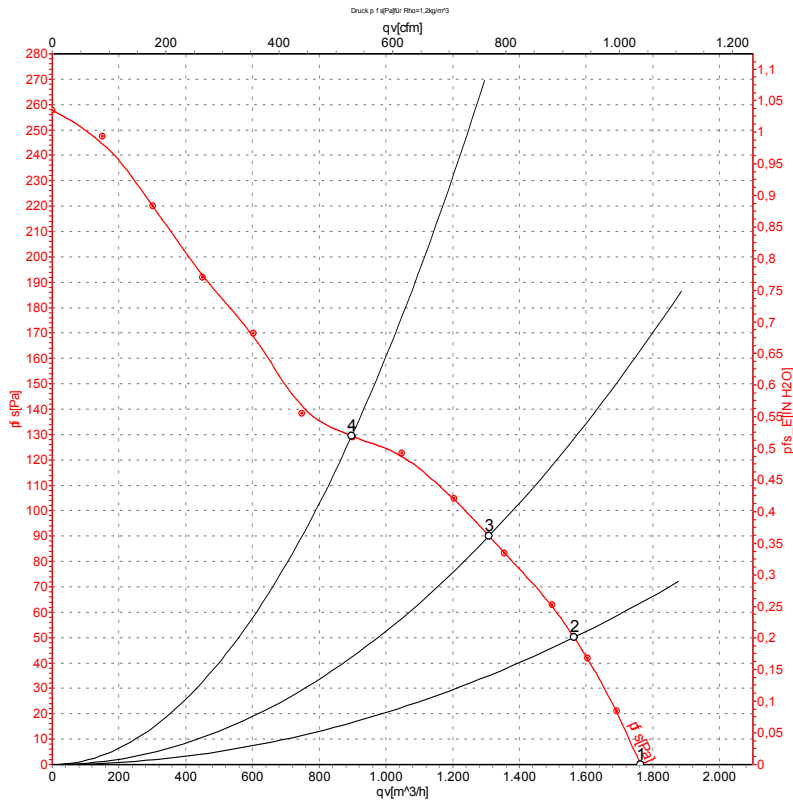
U = Power supply · f = Frequency · n = Speed (rpm) · P_e = Power consumption · I = Current draw · q_v = Air flow · p_{fs} = Pressure increase



AC axial fan

straight blades (A series)
with round full nozzle

Curves: Air performance 60 Hz



Measurement: LU-68412-1

Air performance measured according to ISO 5801 installation category A. For detailed information on the measurement setup, contact ebmpapst. Intake sound level: Sound power level according to ISO 13347 / sound pressure level measured at 1 m distance from fan axis. The values given are valid under the specified measuring conditions and may vary due to conditions of installation. For deviations from the standard configuration, the parameters have to be checked on the installed unit.

Measured values

| | U | f | n | P _e | I | q _v | P _{fs} | q _v | P _{fs} |
|---|-----|----|-------------------|----------------|------|-------------------|-----------------|----------------|--------------------|
| | V | Hz | min ⁻¹ | W | A | m ³ /h | Pa | cfm | inH ₂ O |
| 1 | 230 | 60 | 2750 | 165 | 0.74 | 1760 | 0 | 1035 | 0.00 |
| 2 | 230 | 60 | 2580 | 171 | 0.75 | 1565 | 50 | 920 | 0.20 |
| 3 | 230 | 60 | 2525 | 175 | 0.76 | 1310 | 90 | 770 | 0.36 |
| 4 | 230 | 60 | 2590 | 170 | 0.75 | 900 | 130 | 530 | 0.52 |

U = Power supply · f = Frequency · n = Speed (rpm) · P_e = Power consumption · I = Current draw · q_v = Air flow · P_{fs} = Pressure increase

